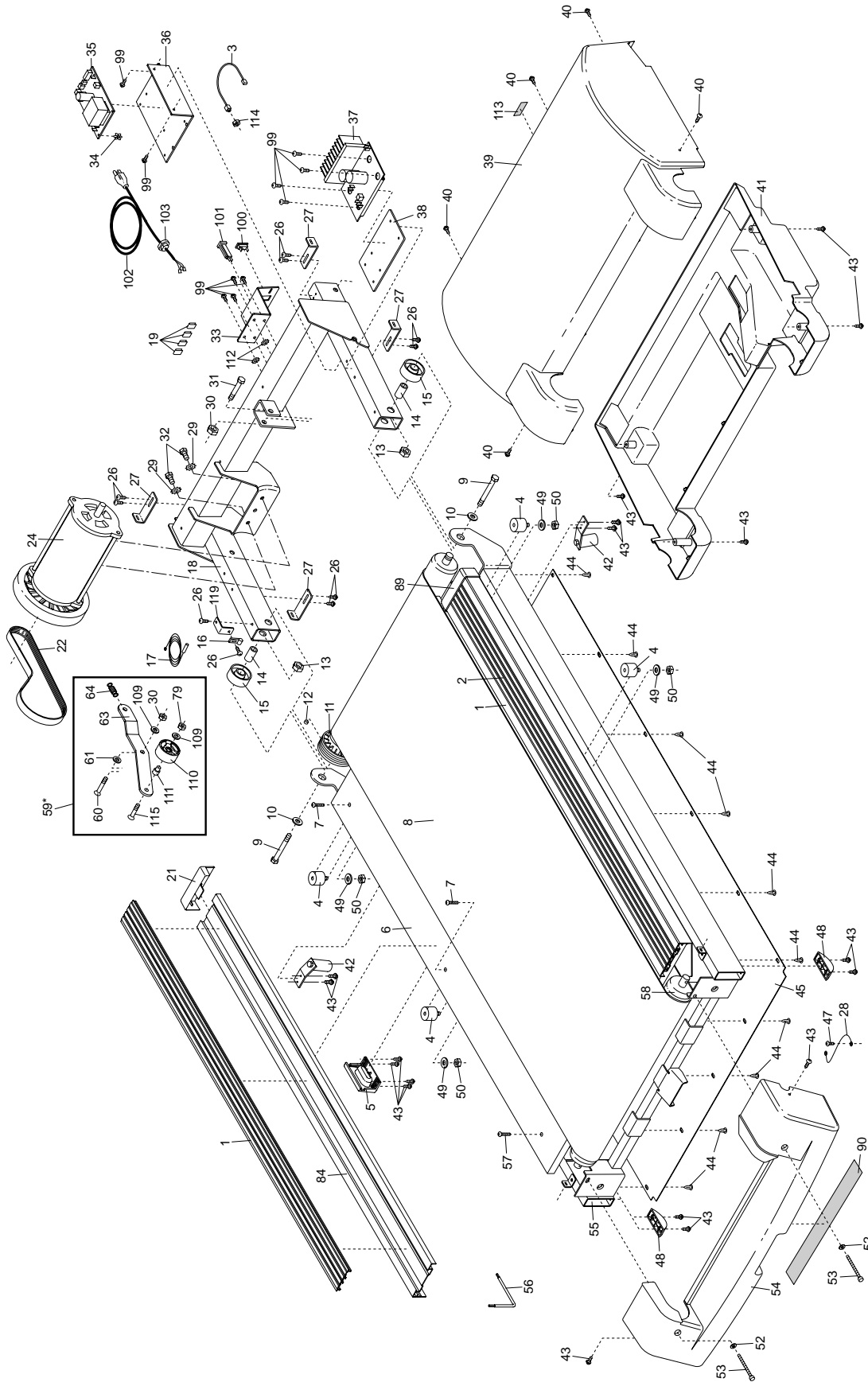


# EXPLODED DRAWING—Model No. RBTL14600

R1201A



To identify the parts shown on this exploded drawing, refer to the PART LIST on pages 34 and 35 of the USER'S MANUAL.

# EXPLODED DRAWING—Model No. RBTL14600

R1201A

