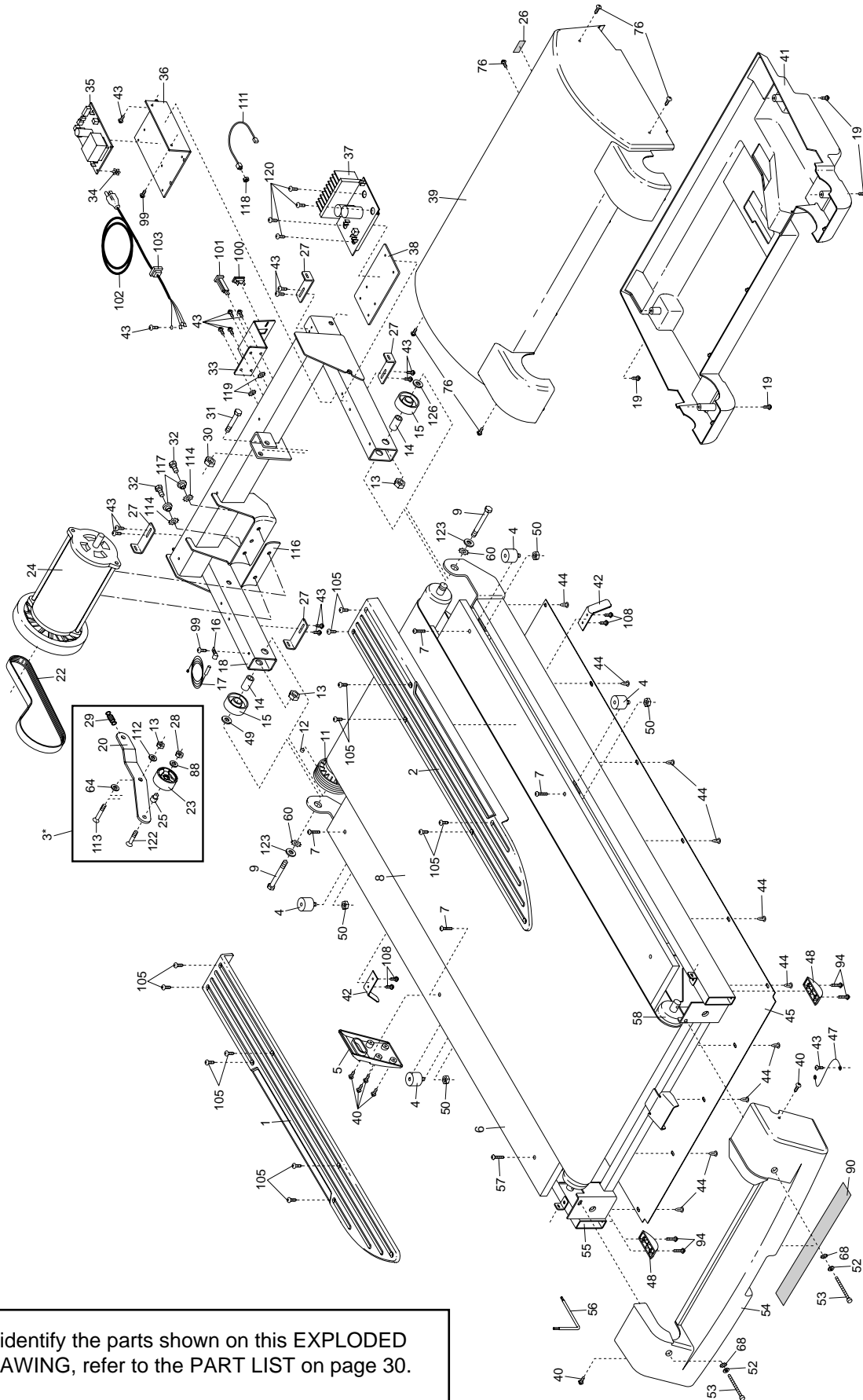


# EXPLODED DRAWING—MODEL NO. RBTL16910

R0302A



To identify the parts shown on this EXPLODED DRAWING, refer to the PART LIST on page 30.

# EXPLODED DRAWING—MODEL NO. RBTL16910

R0302A

