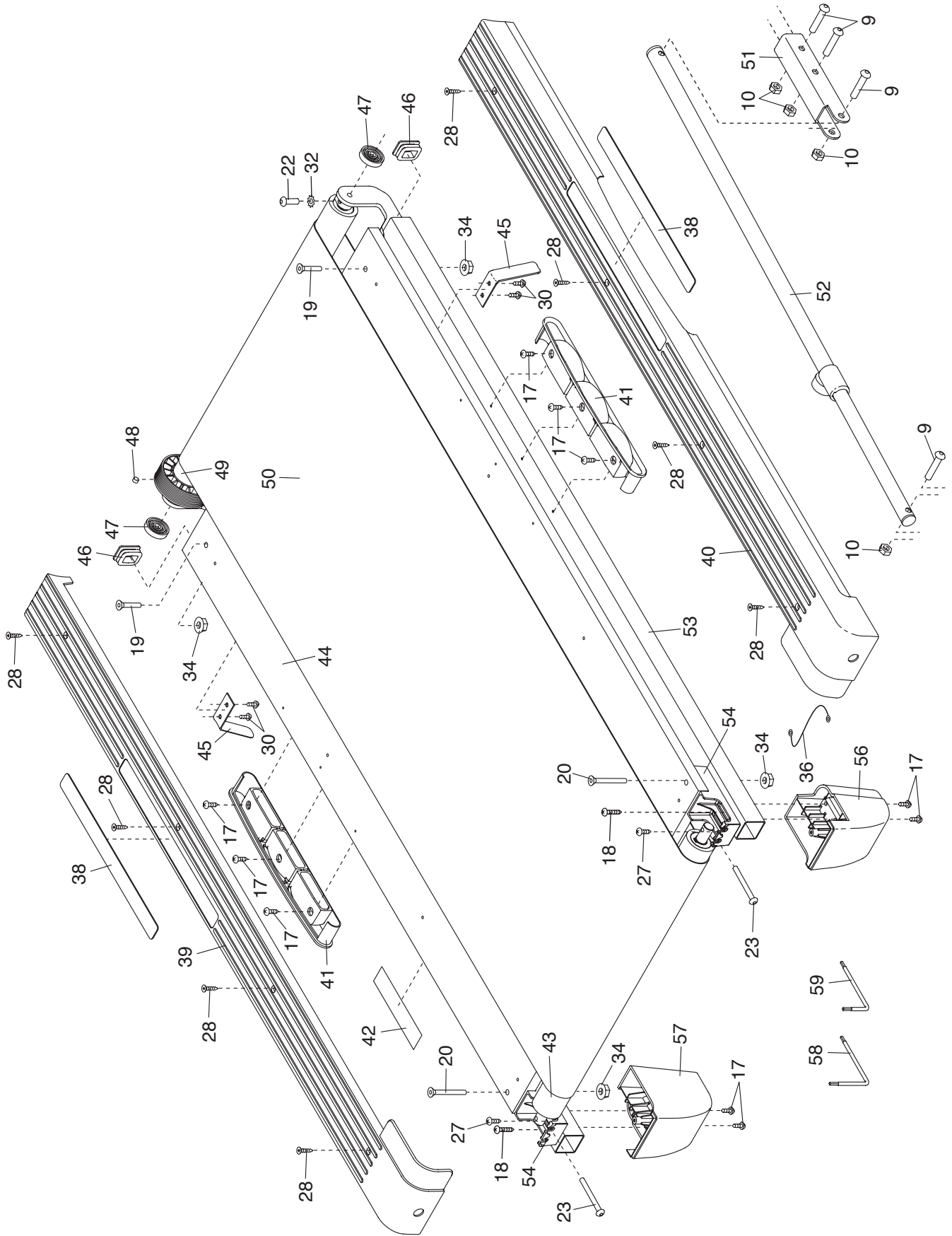


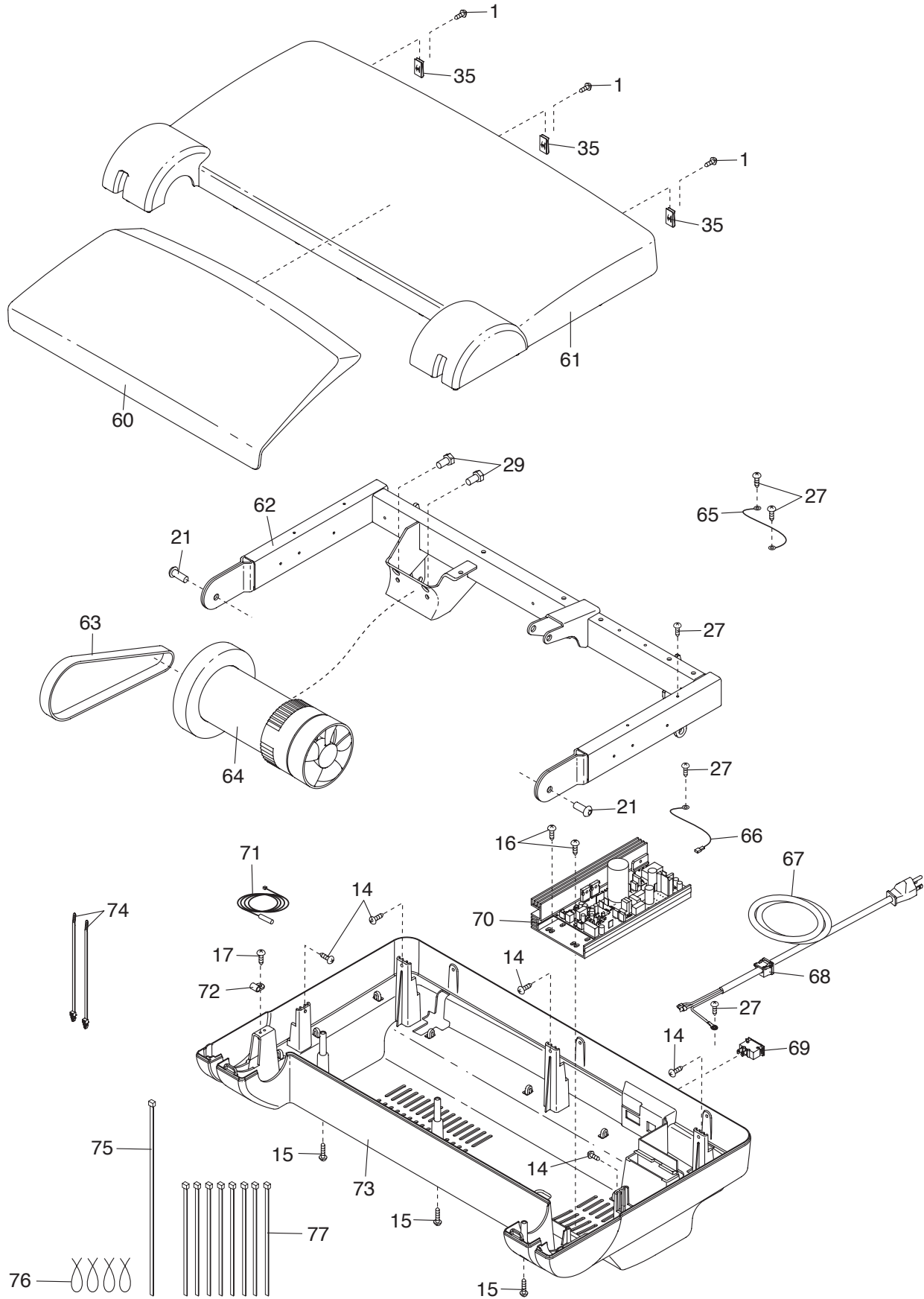
# EXPLODED DRAWING A

Model No. RBTL59211.0 R0113A



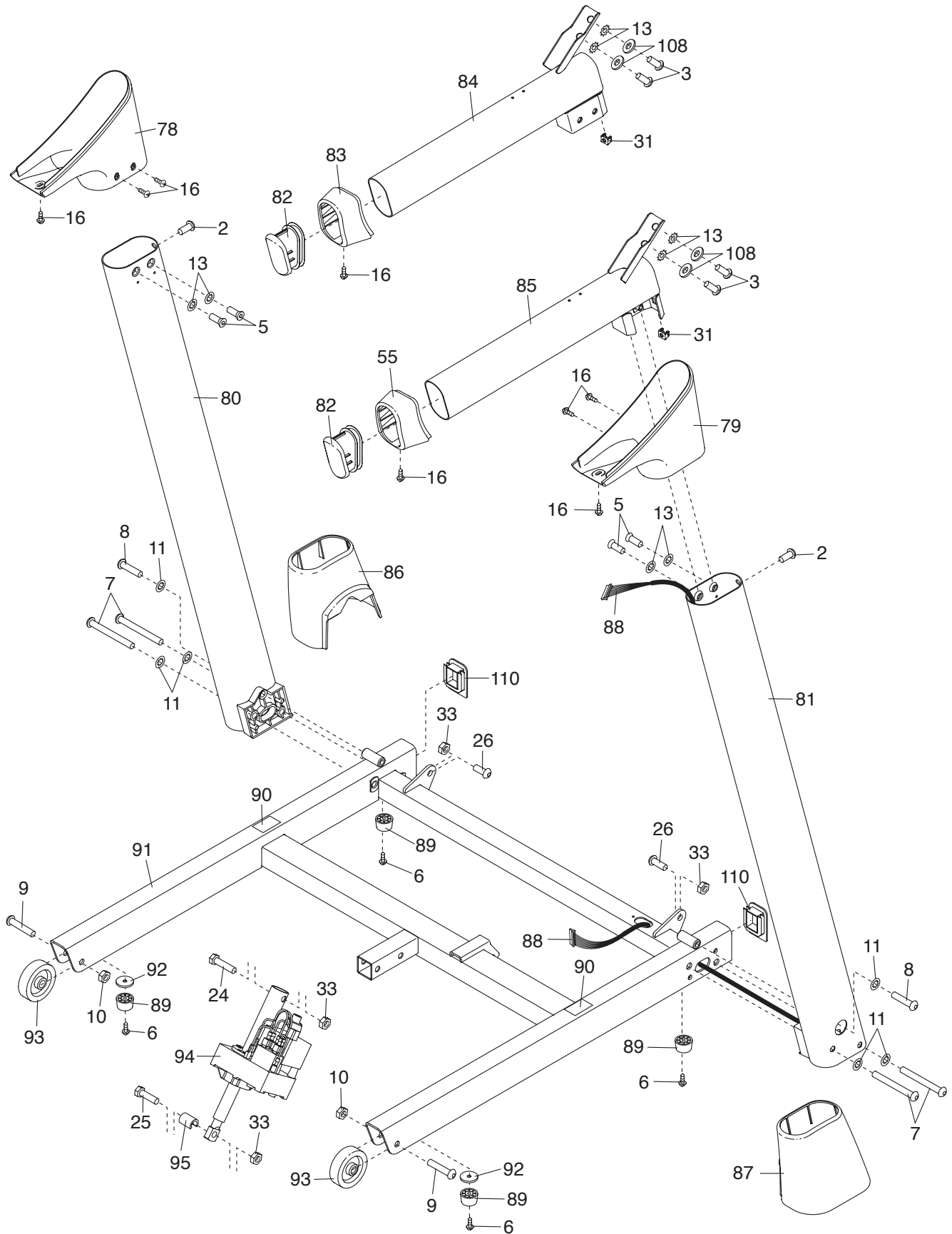
# EXPLODED DRAWING B

Model No. RBTL59211.0 R0113A



# EXPLODED DRAWING C

Model No. RBTL59211.0 R0113A



# EXPLODED DRAWING D

Model No. RBTL59211.0 R0113A

