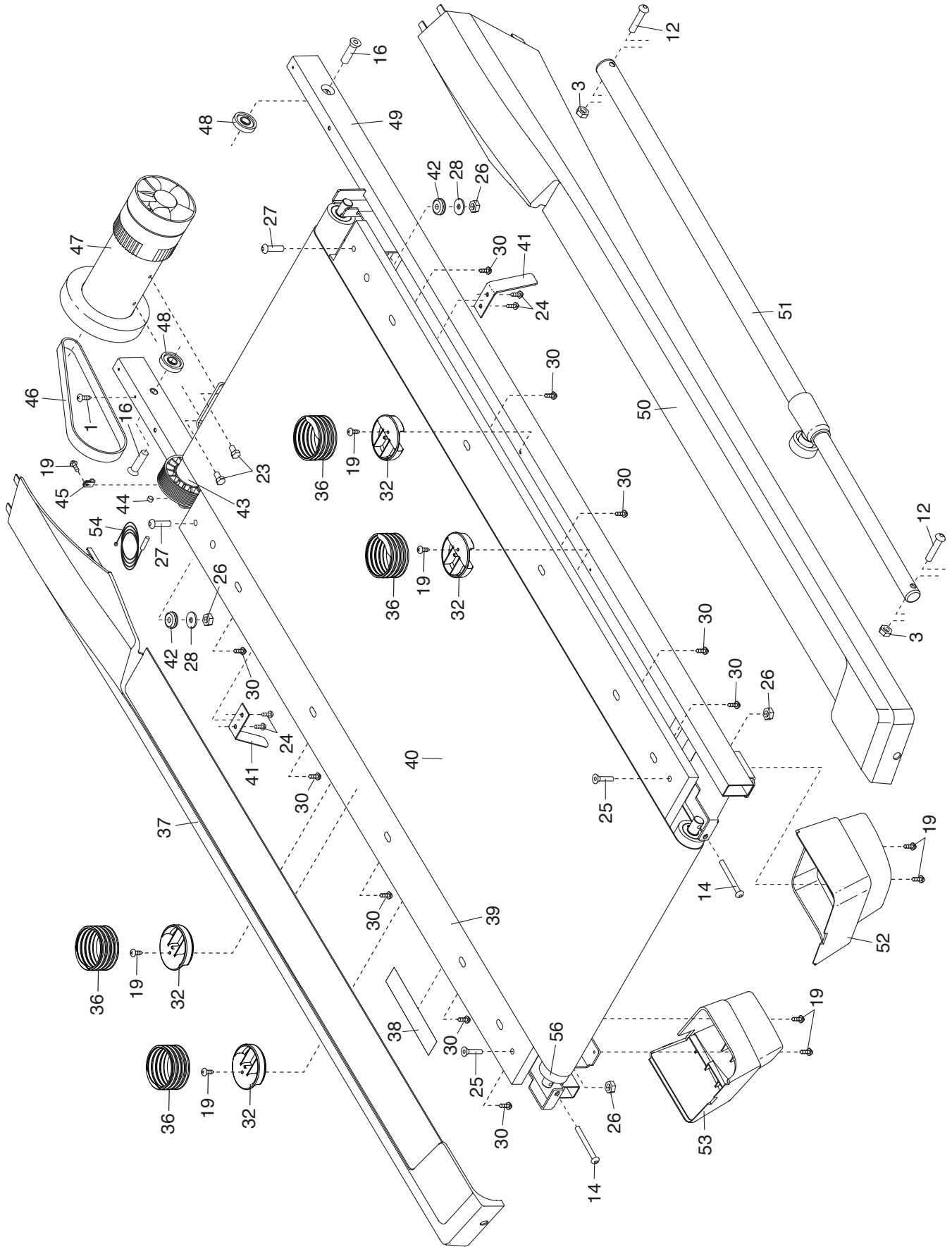


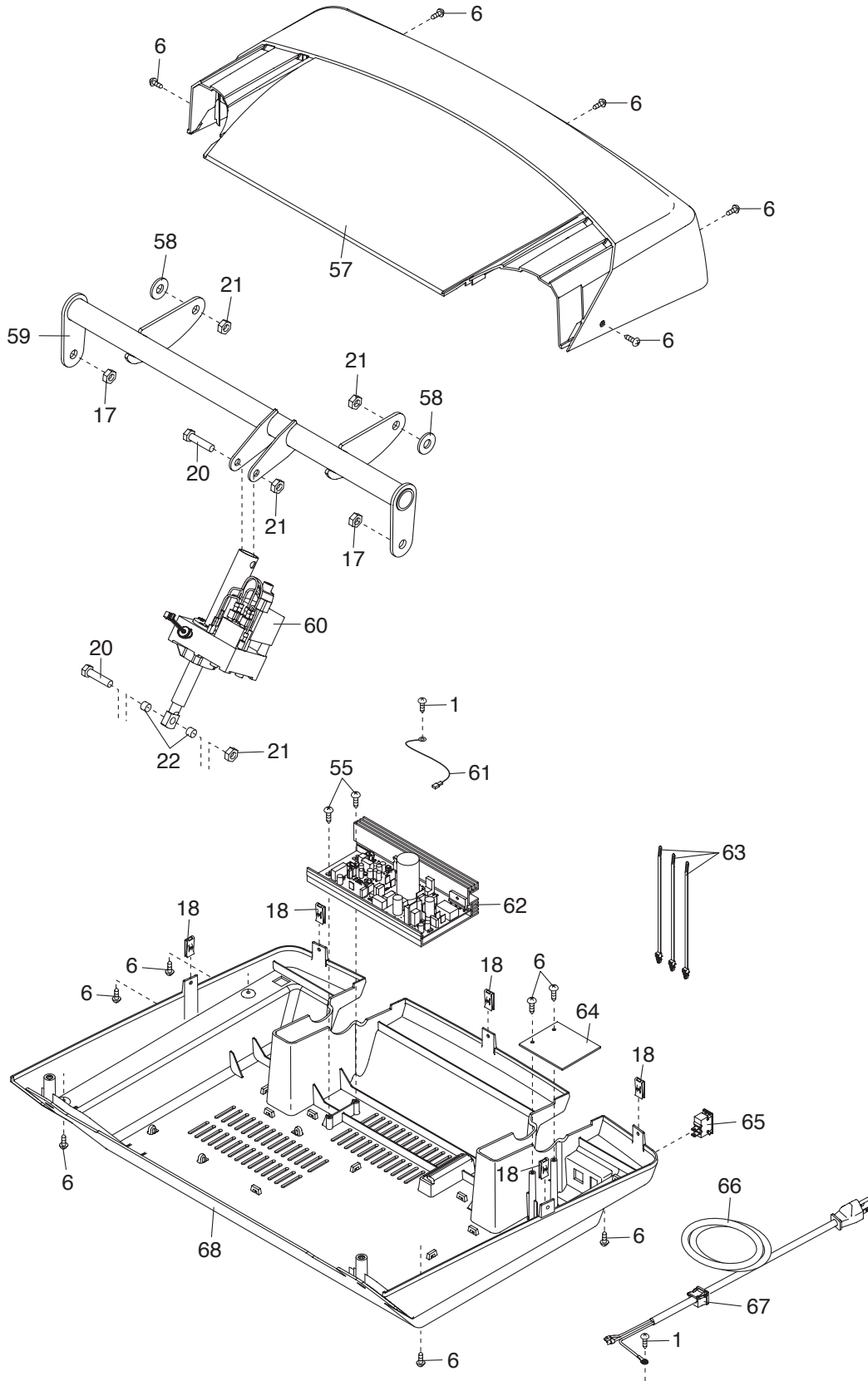
EXPLODED DRAWING A

Model No. RBTL69211.1 R1212A



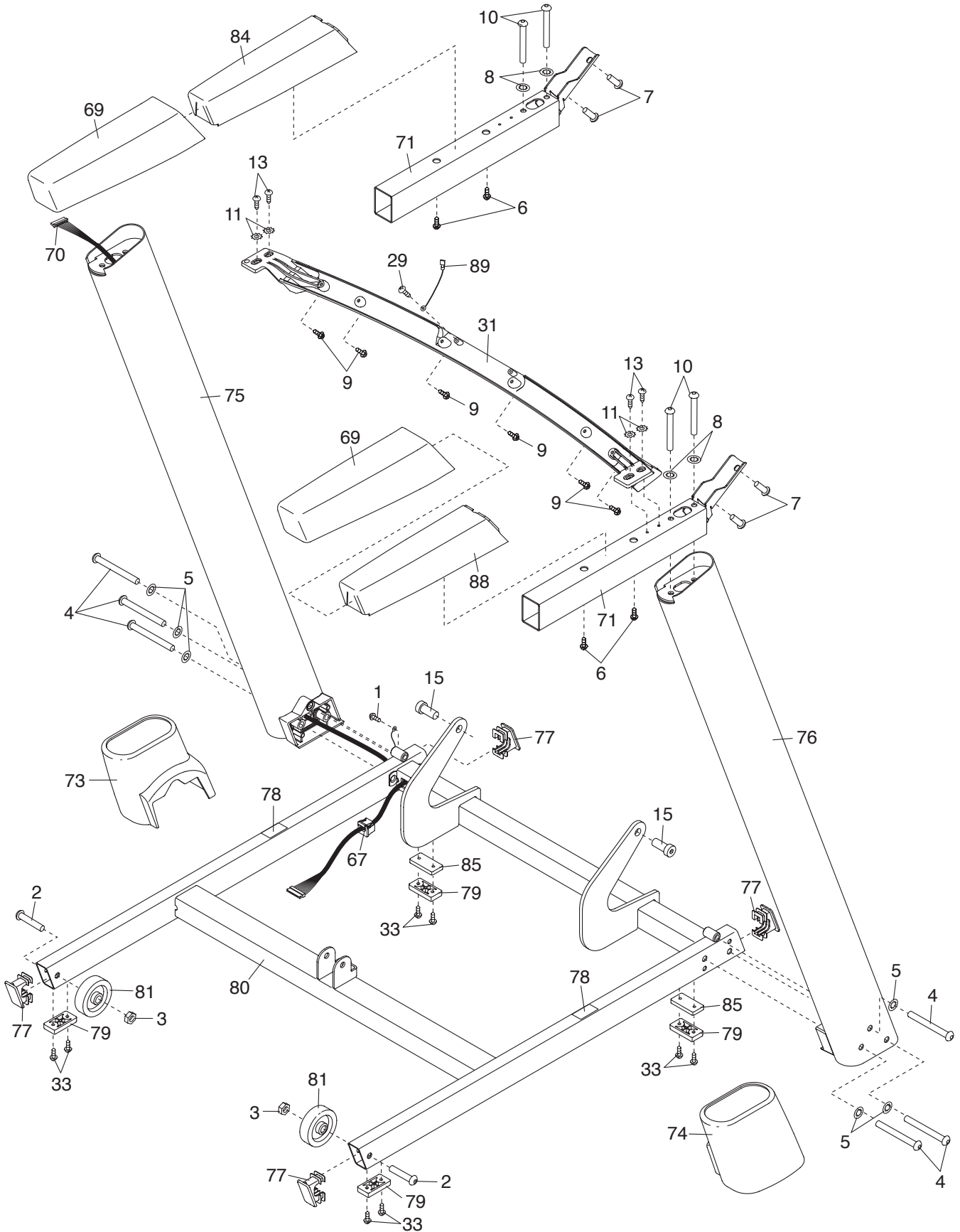
EXPLODED DRAWING B

Model No. RBTL69211.1 R1212A



EXPLODED DRAWING C

Model No. RBTL69211.1 R1212A



EXPLODED DRAWING D

Model No. RBTL69211.1 R1212A

