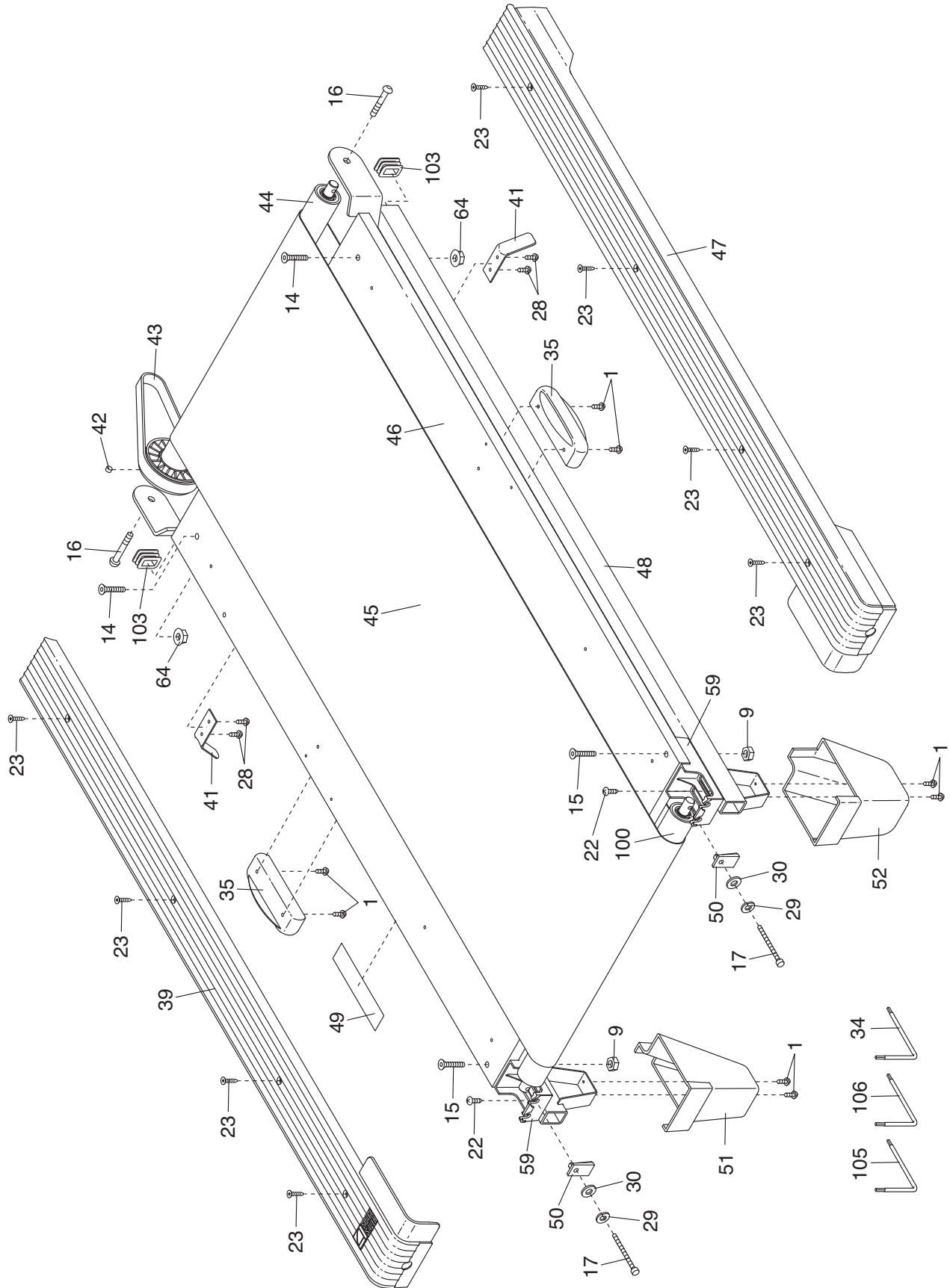


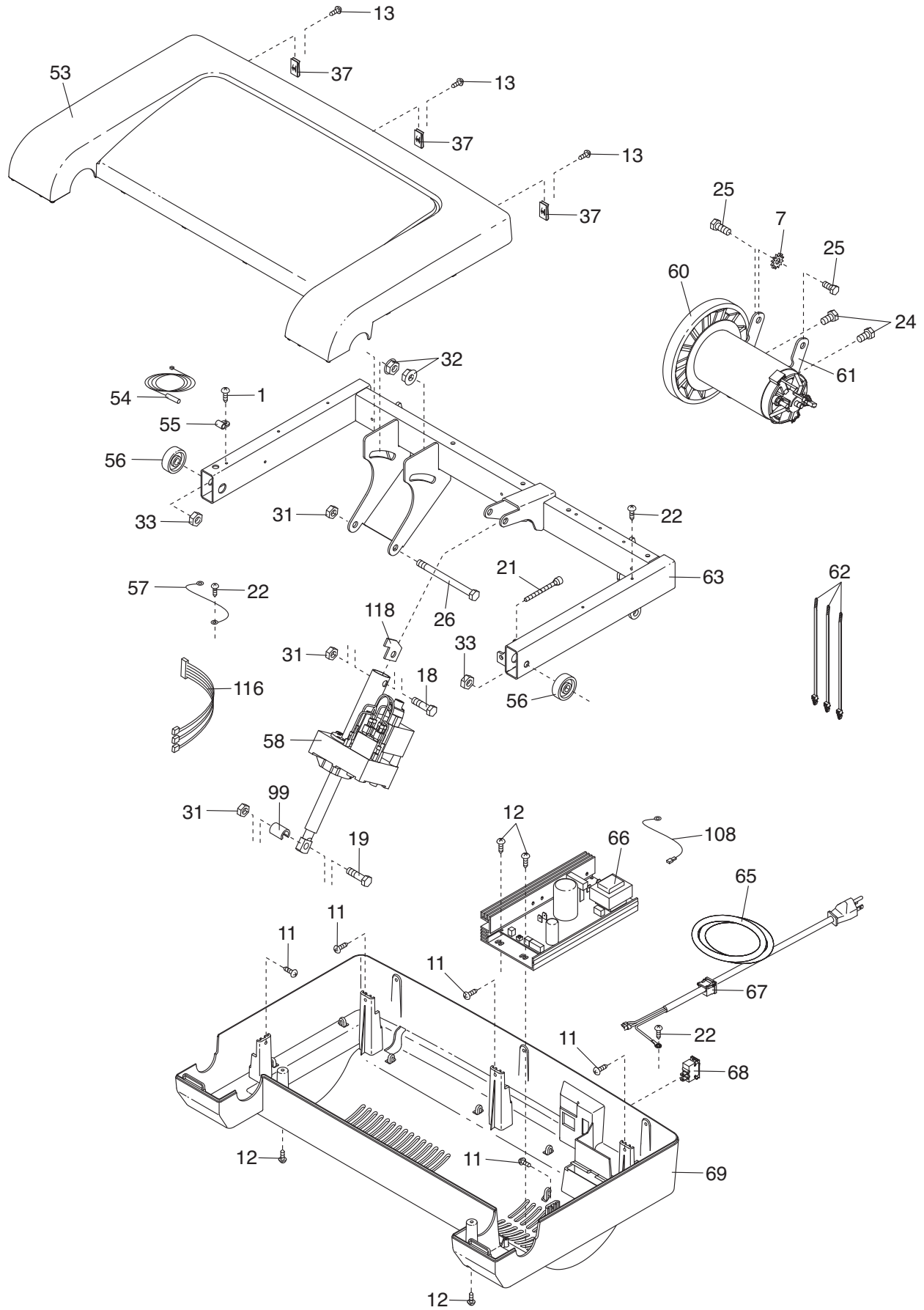
# EXPLODED DRAWING A—Model No. RBTL69908.2

R0709A



# EXPLODED DRAWING B—Model No. RBTL69908.2

R0709A





# EXPLODED DRAWING D—Model No. RBTL69908.2

R0709A

