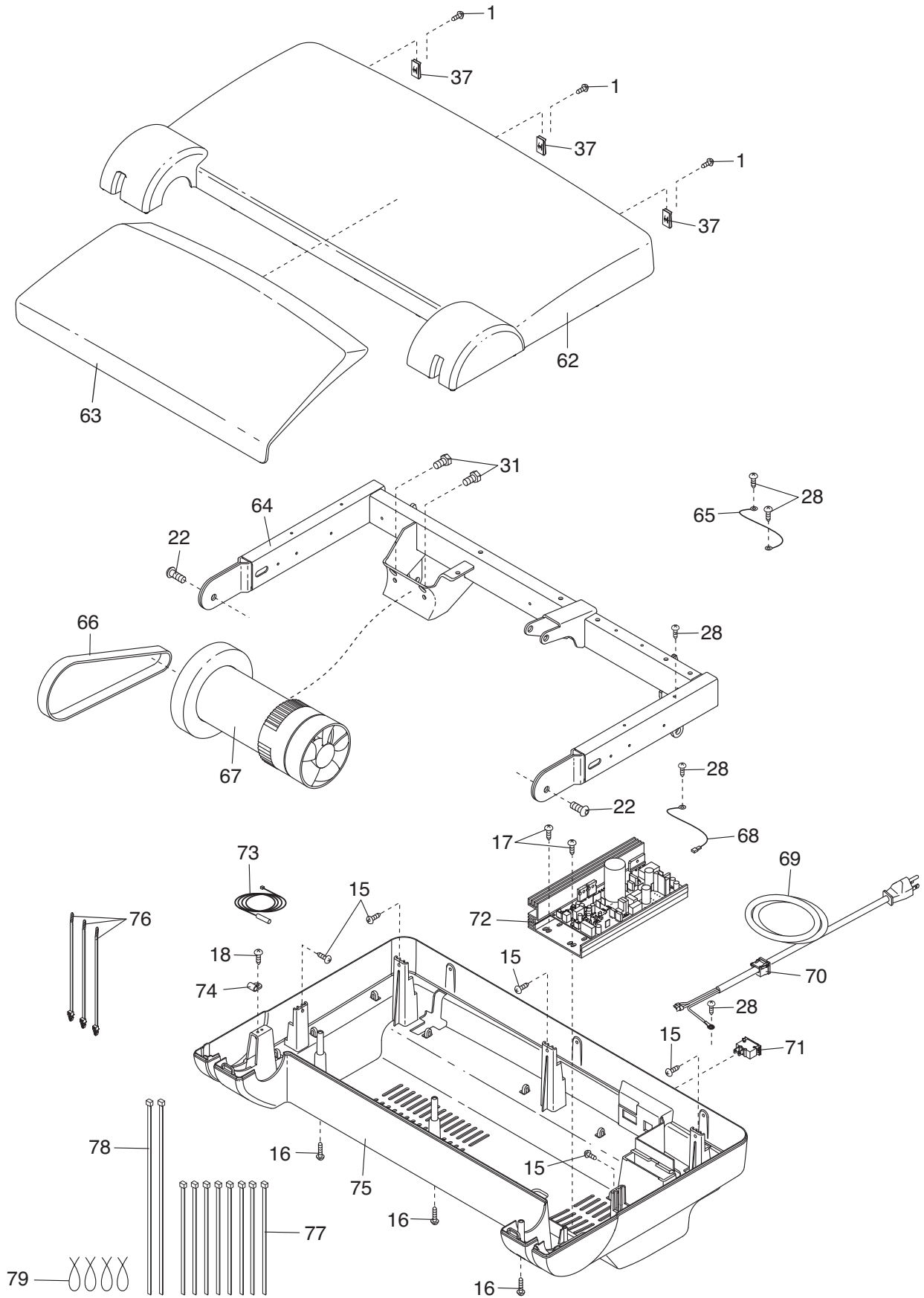


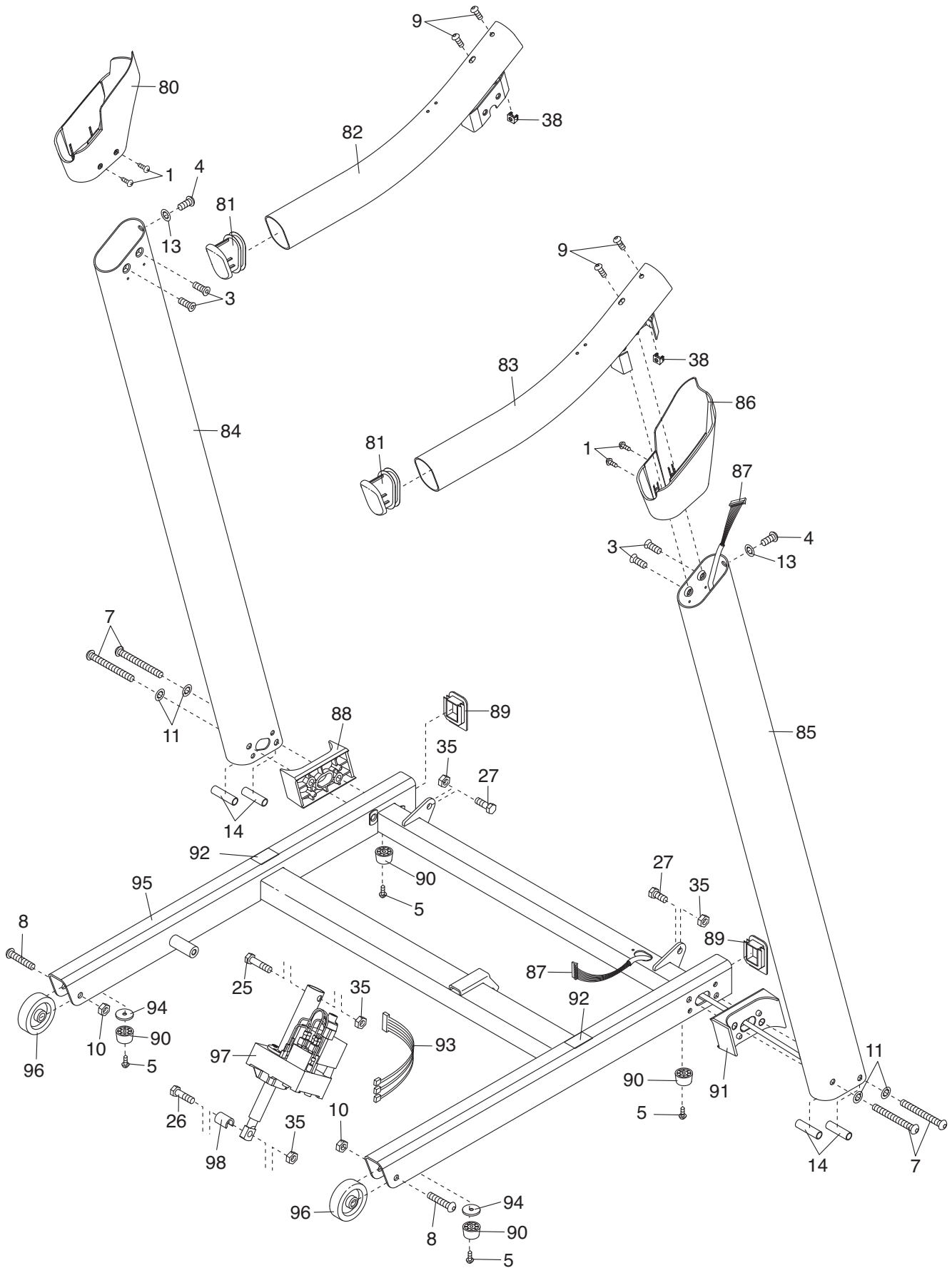
EXPLODED DRAWING B—Model No. RBTL76009.0

R0110A



EXPLODED DRAWING C—Model No. RBTL76009.0

R0110A



EXPLODED DRAWING D—Model No. RBTL76009.0

R0110A

