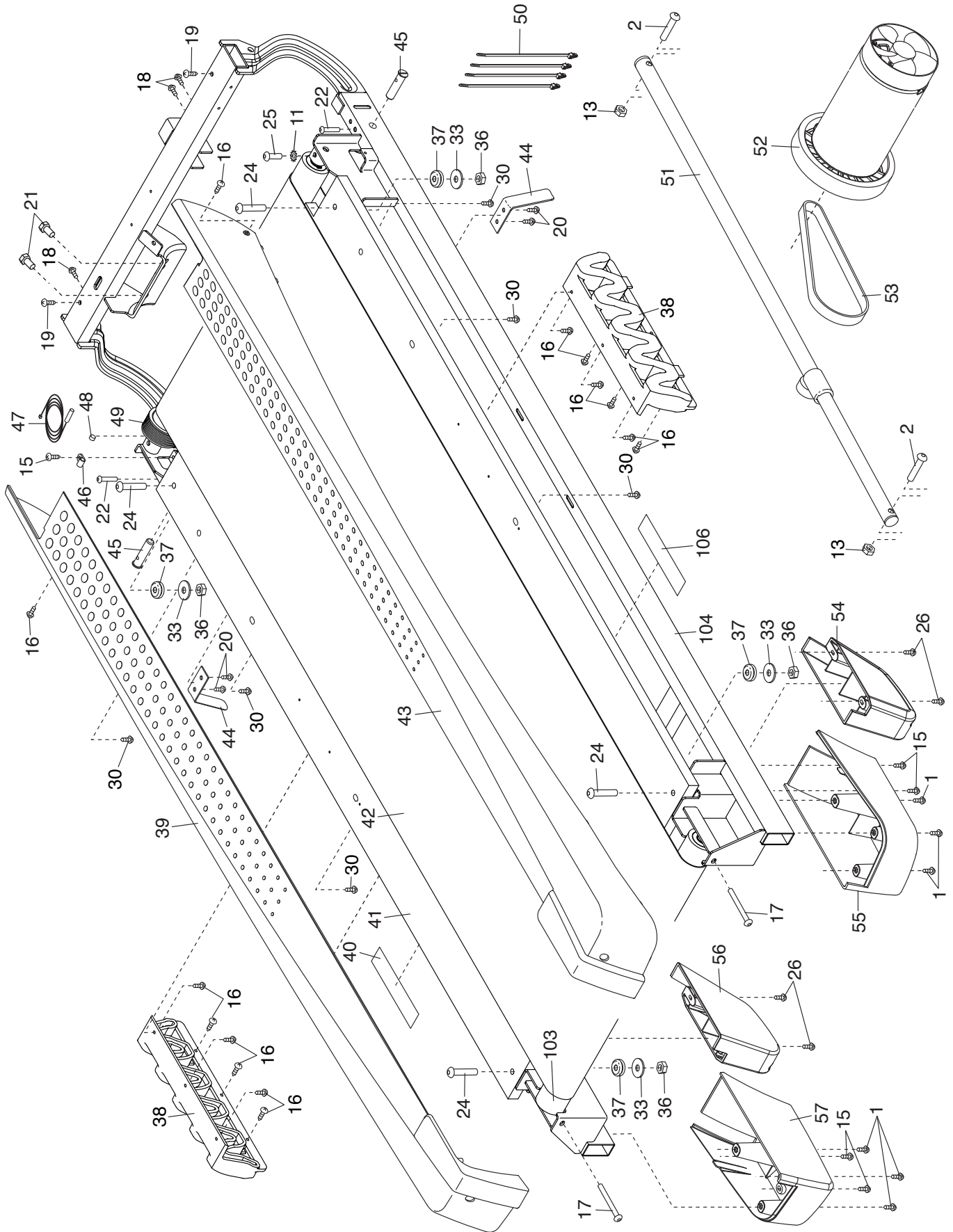


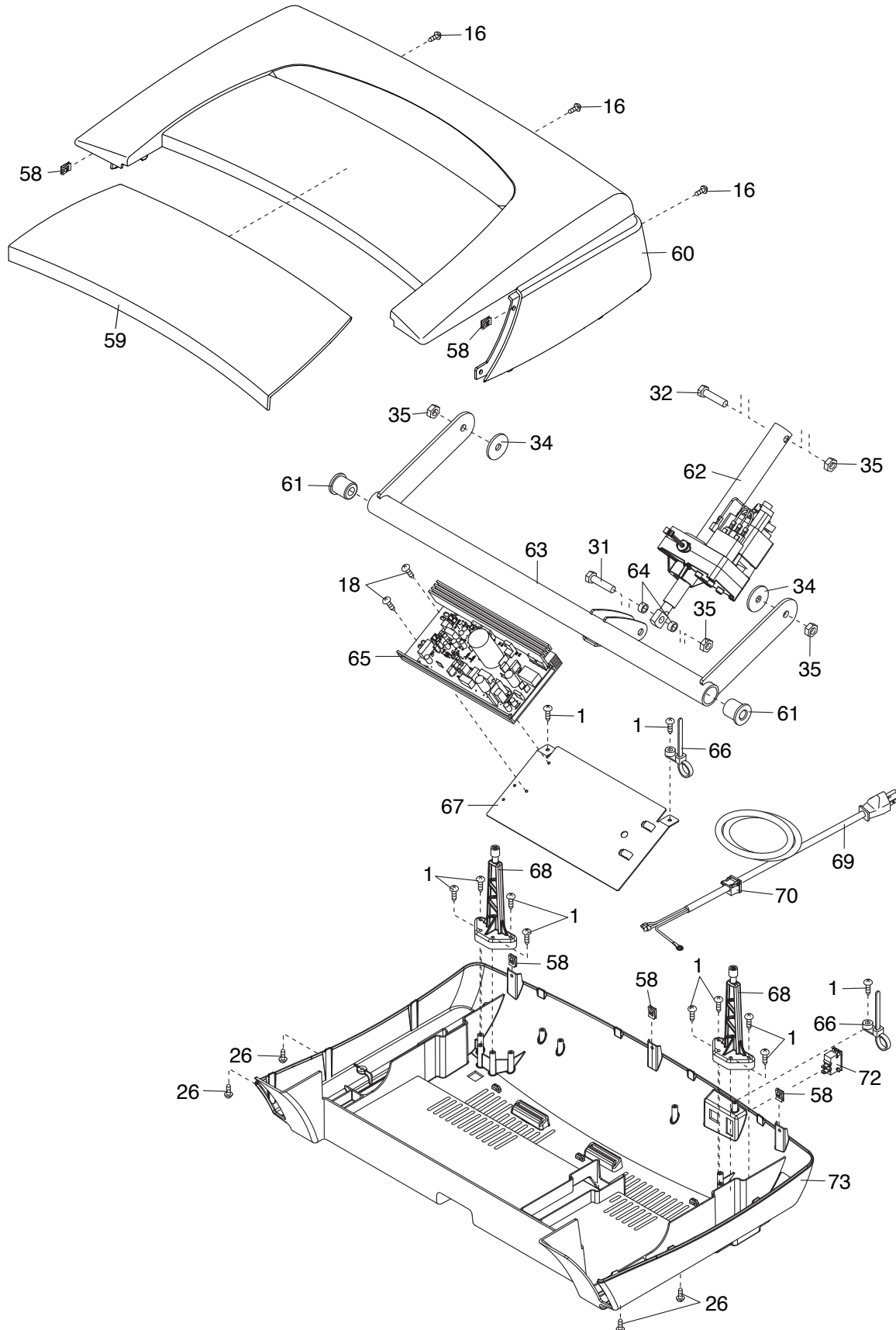
# EXPLODED DRAWING A

Model No. RBTL79013C.0 R1113B



# EXPLODED DRAWING B

Model No. RBTL79013C.0 R1113B



# EXPLODED DRAWING C

Model No. RBTL79013C.0 R1113B

