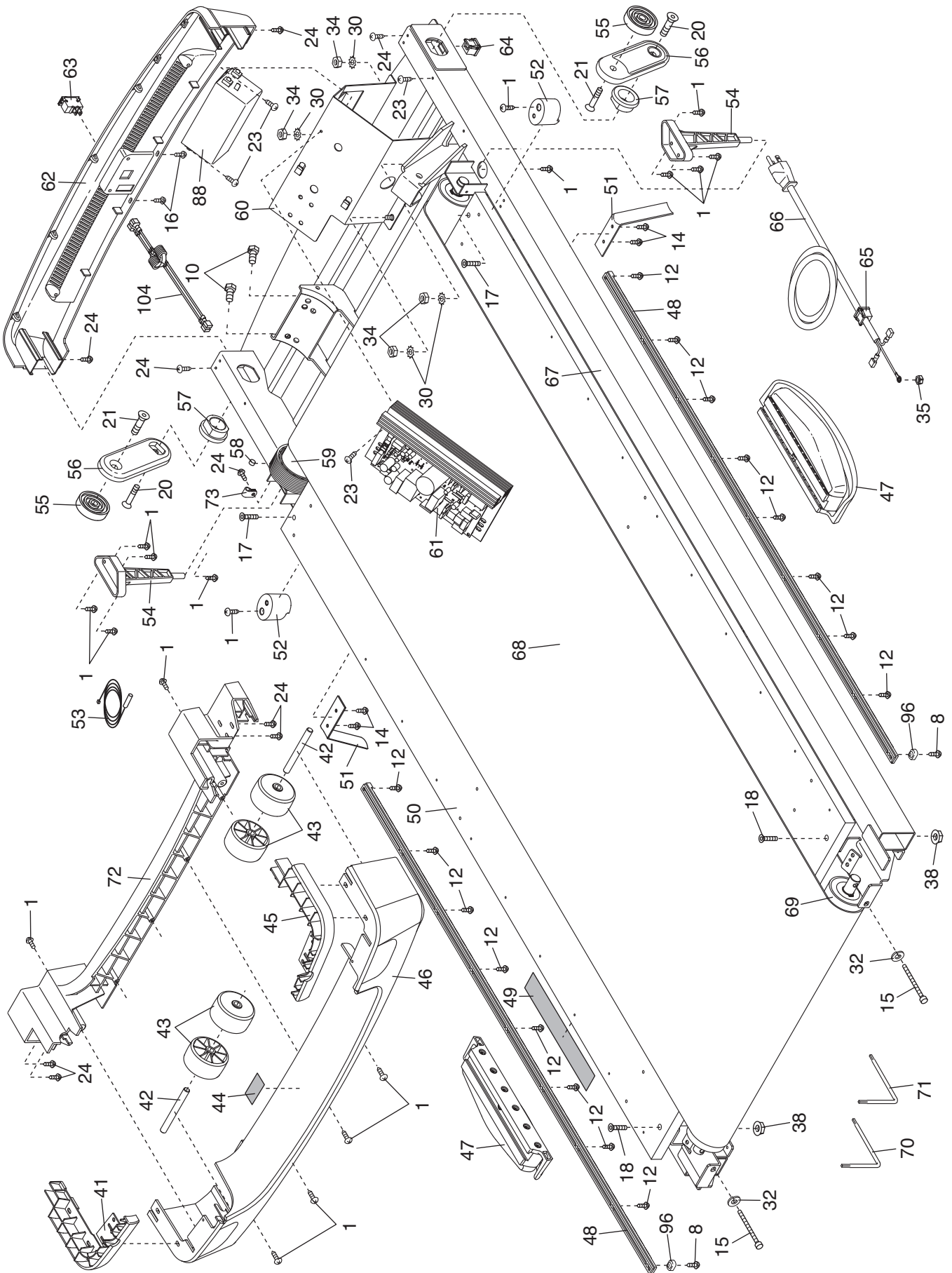


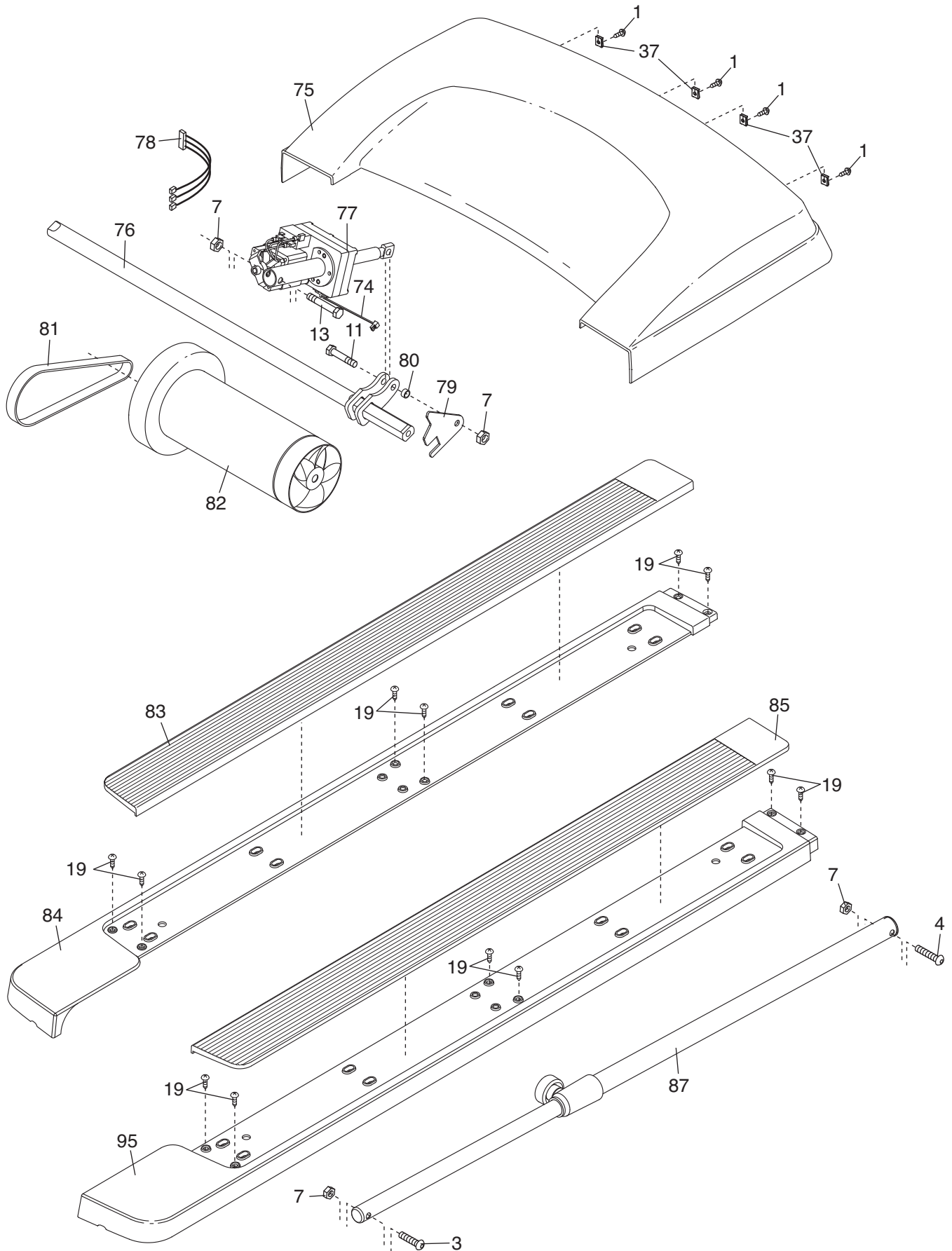
EXPLODED DRAWING A—Model No. RBTL89010.0

R0512A



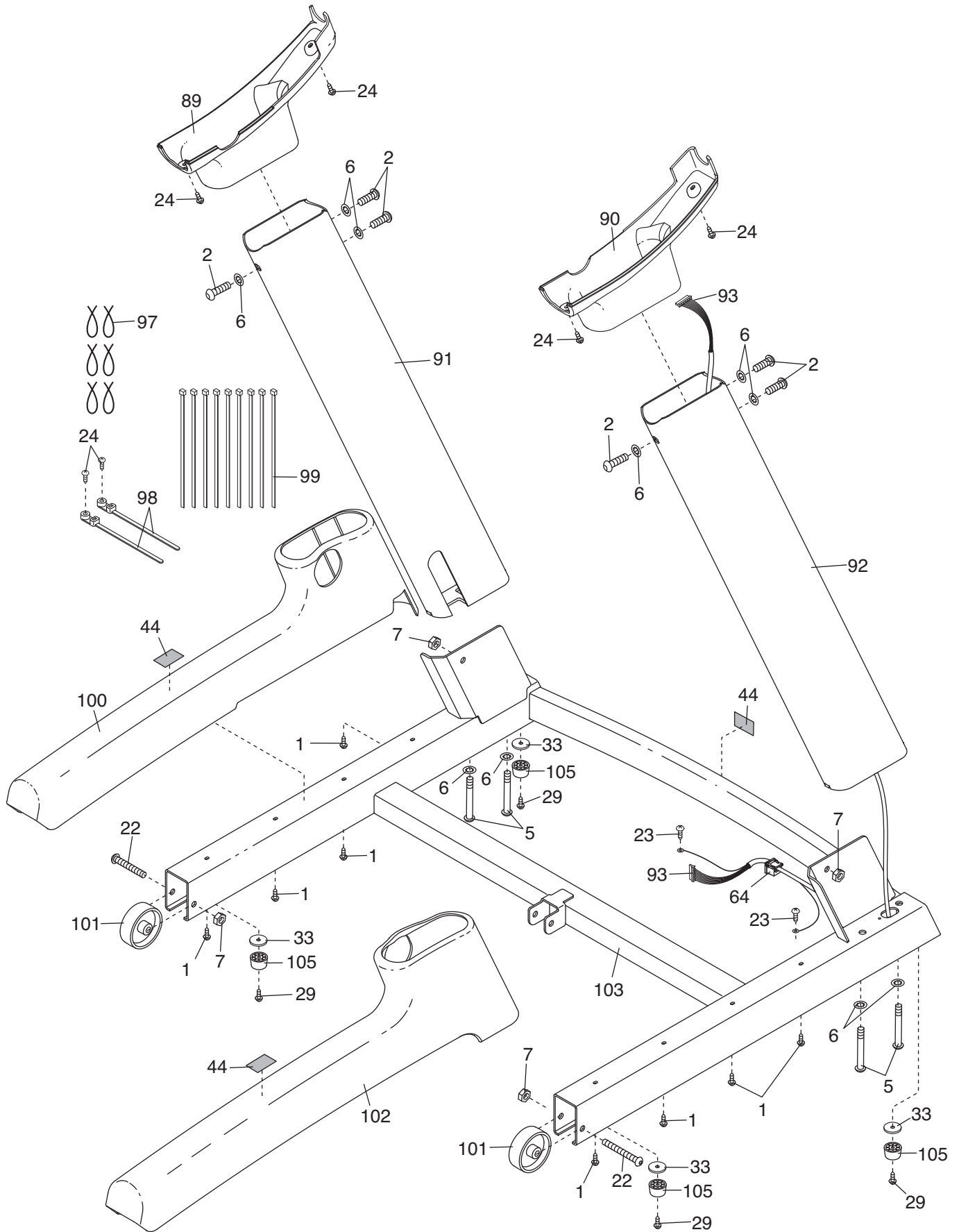
EXPLODED DRAWING B—Model No. RBTL89010.0

R0512A



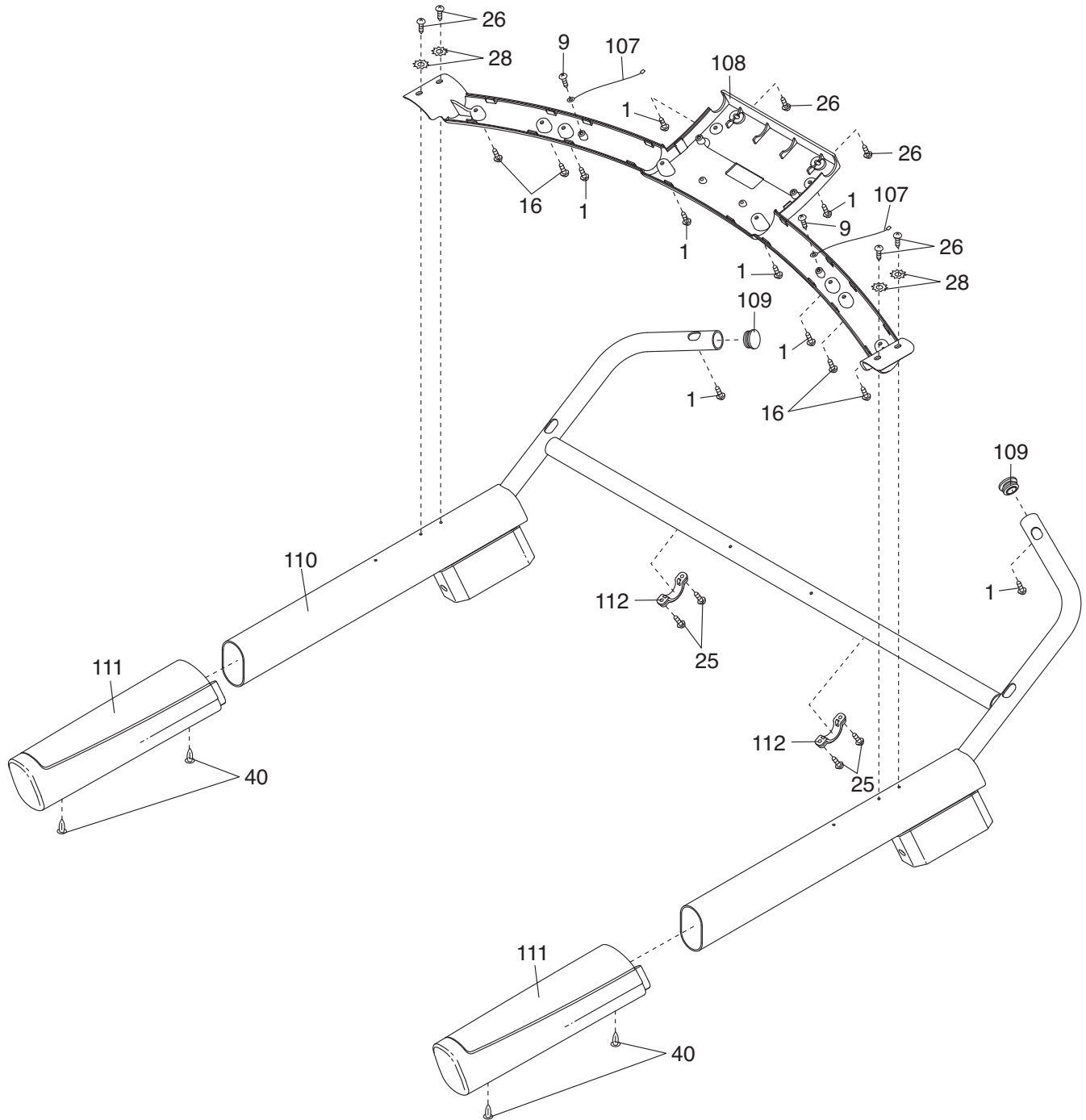
EXPLODED DRAWING C—Model No. RBTL89010.0

R0512A



EXPLODED DRAWING D—Model No. RBTL89010.0

R0512A



EXPLODED DRAWING E—Model No. RBTL89010.0

R0512A

