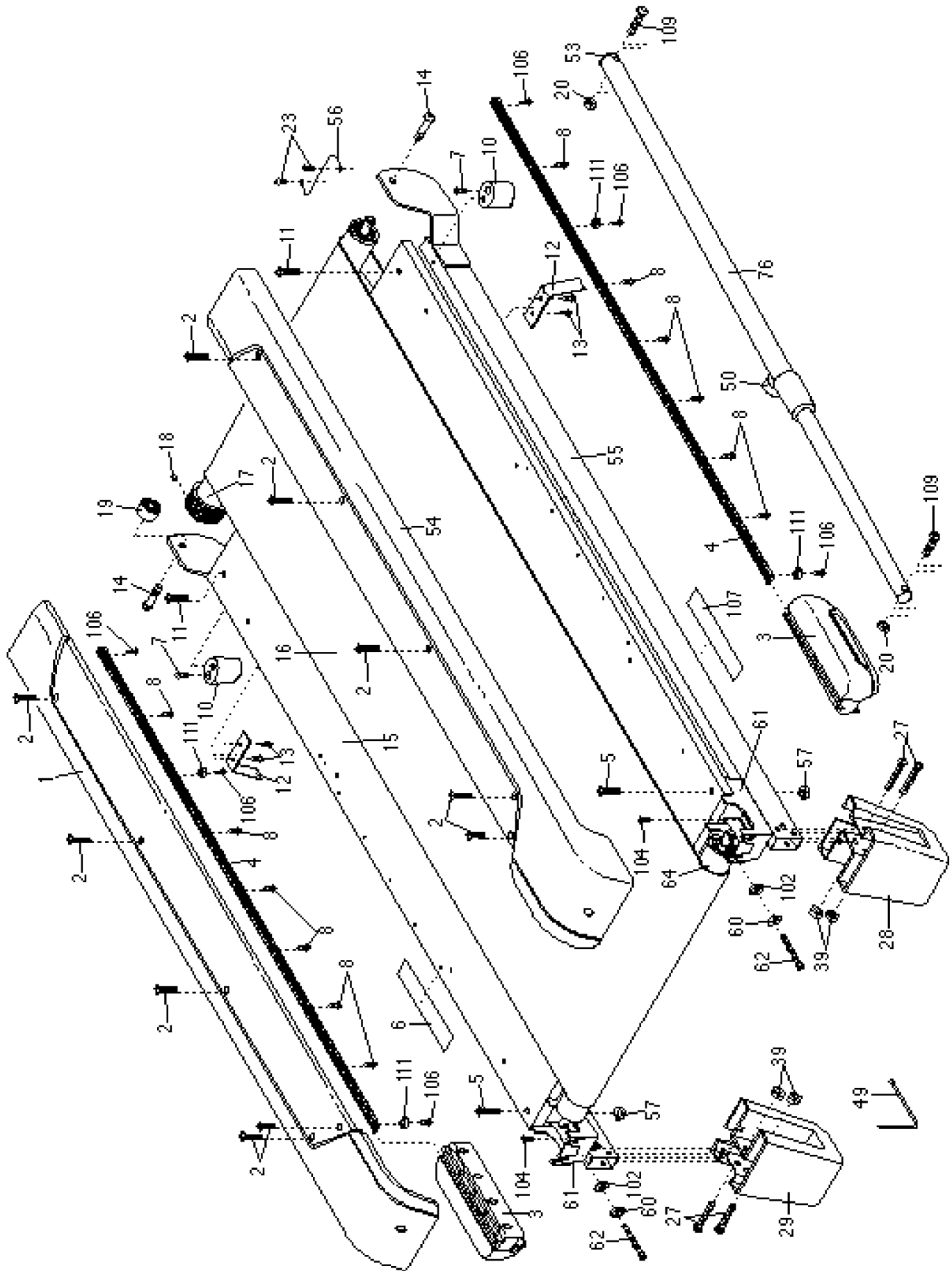


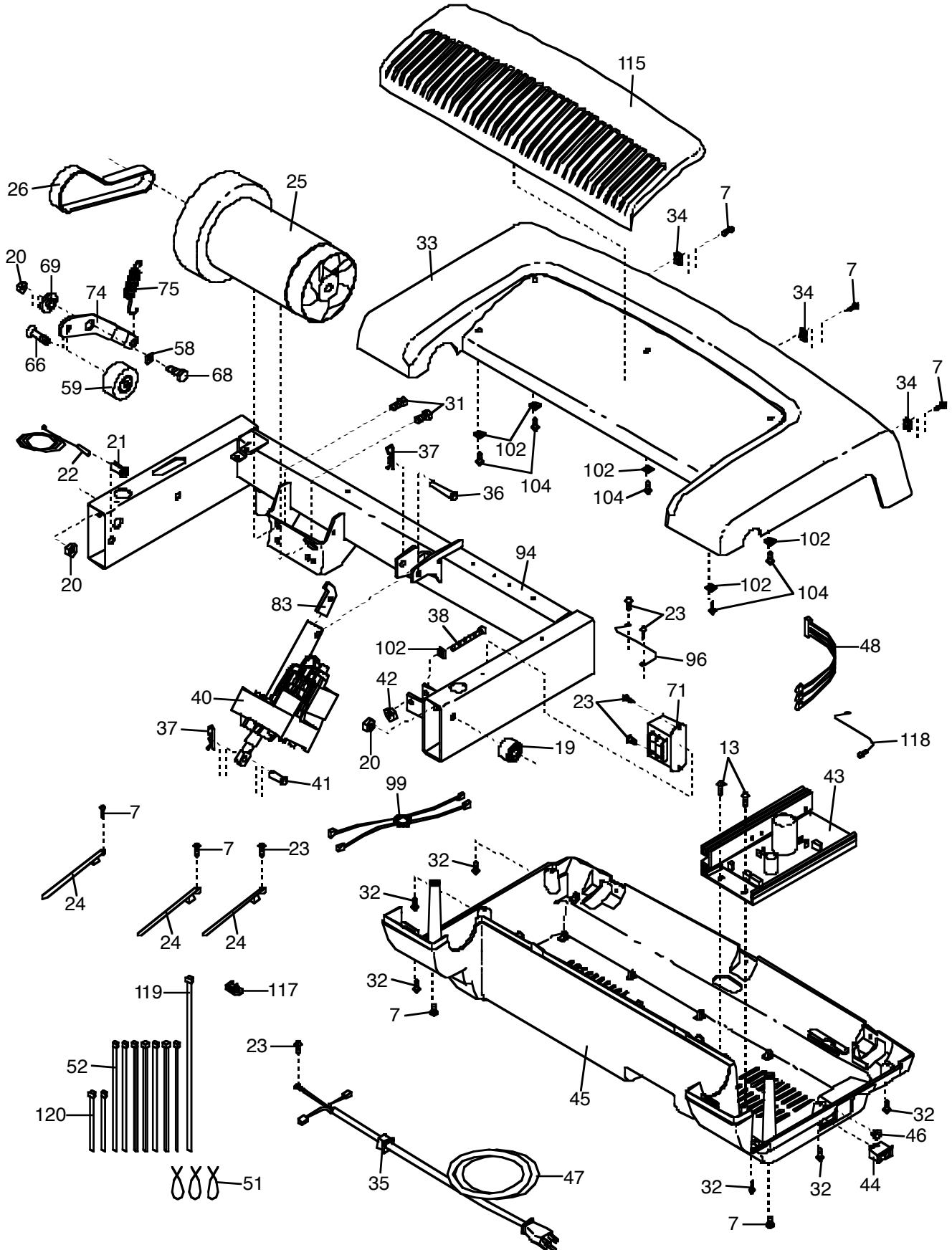
# EXPLODED DRAWING A—Model No. RCTL09707.0

R1207A



# EXPLODED DRAWING B—Model No. RCTL09707.0

R1207A



# EXPLODED DRAWING C—Model No. RCTL09707.0

R1207A

