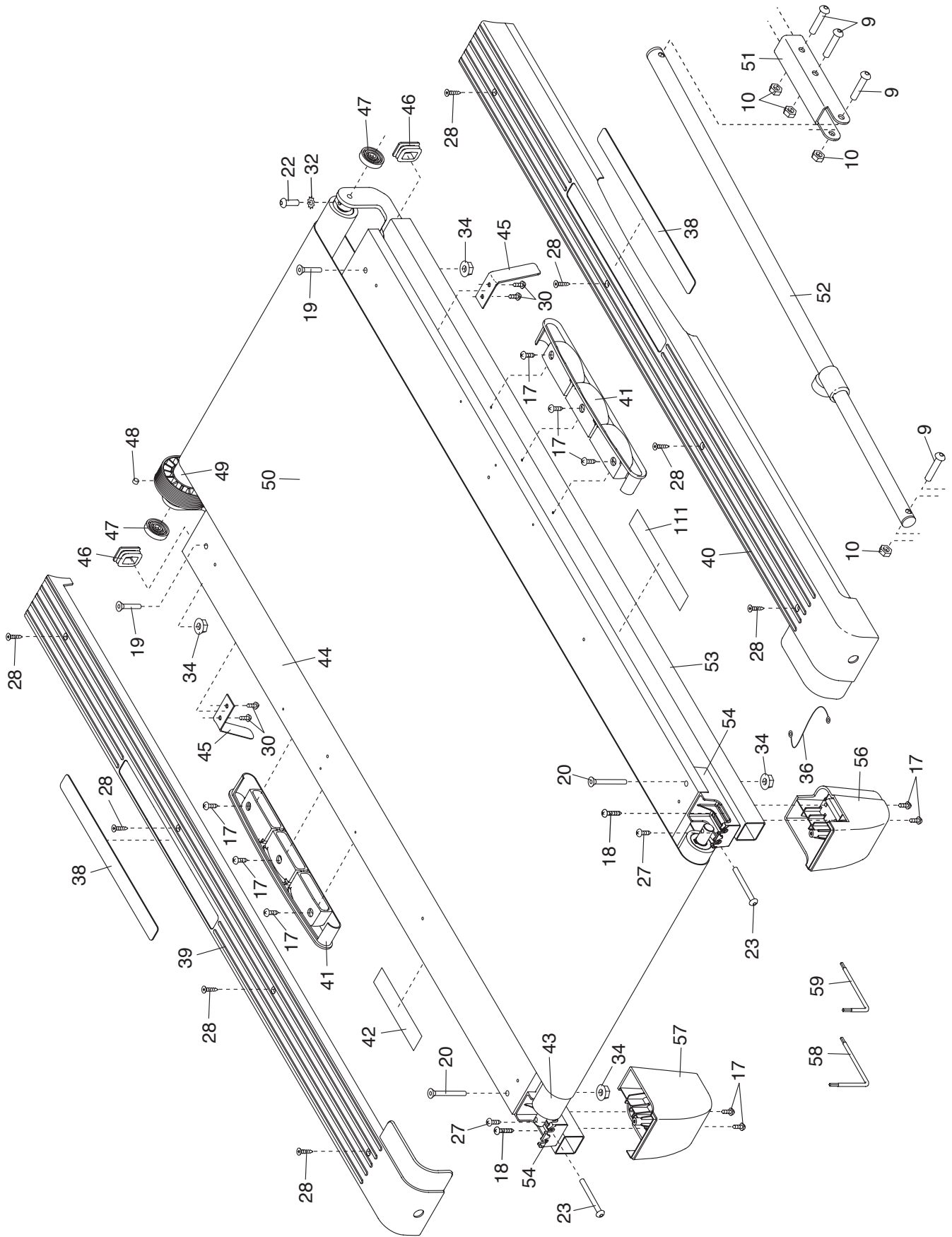


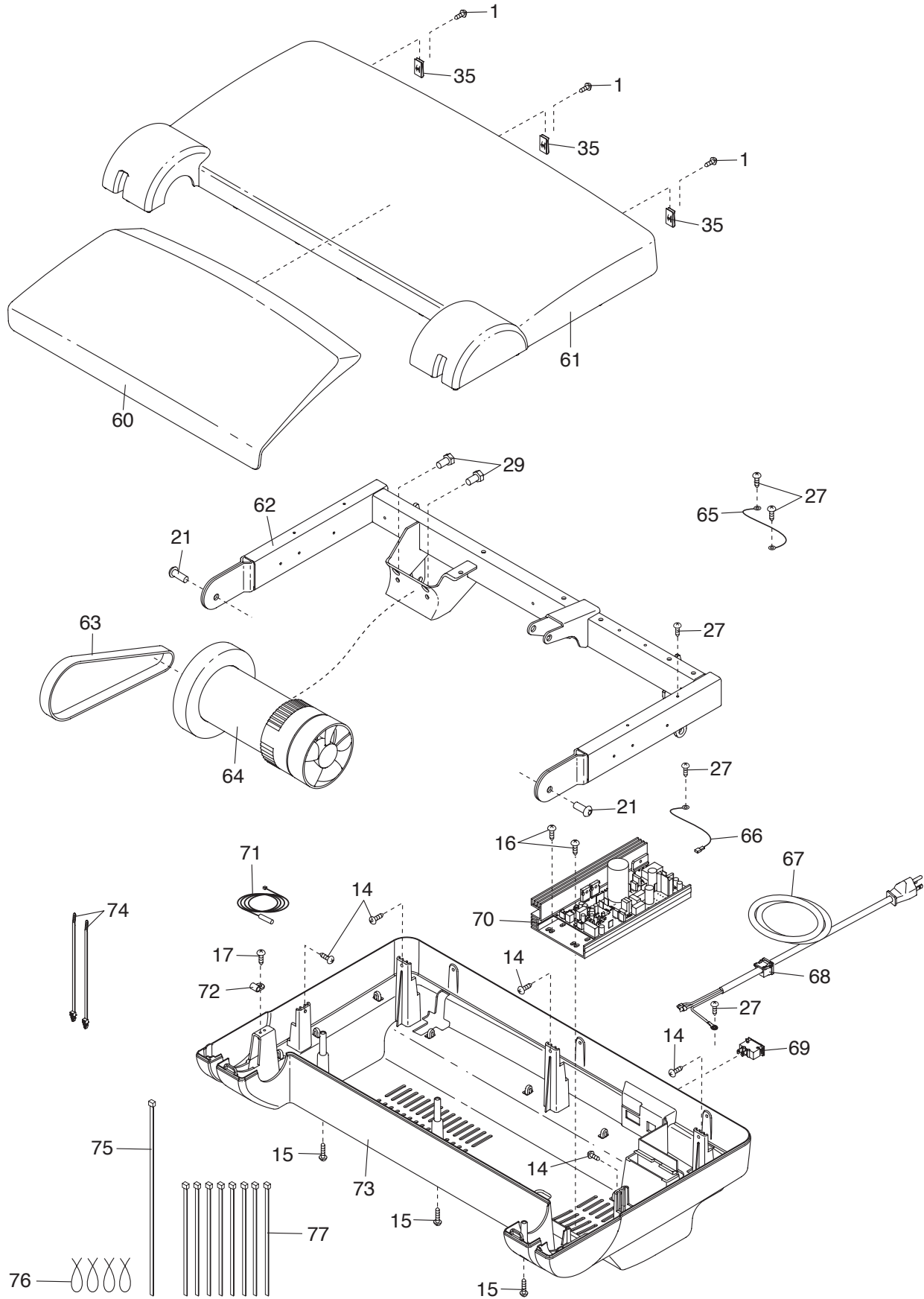
EXPLODED DRAWING A

Model No. RCTL59211.0 R1111A



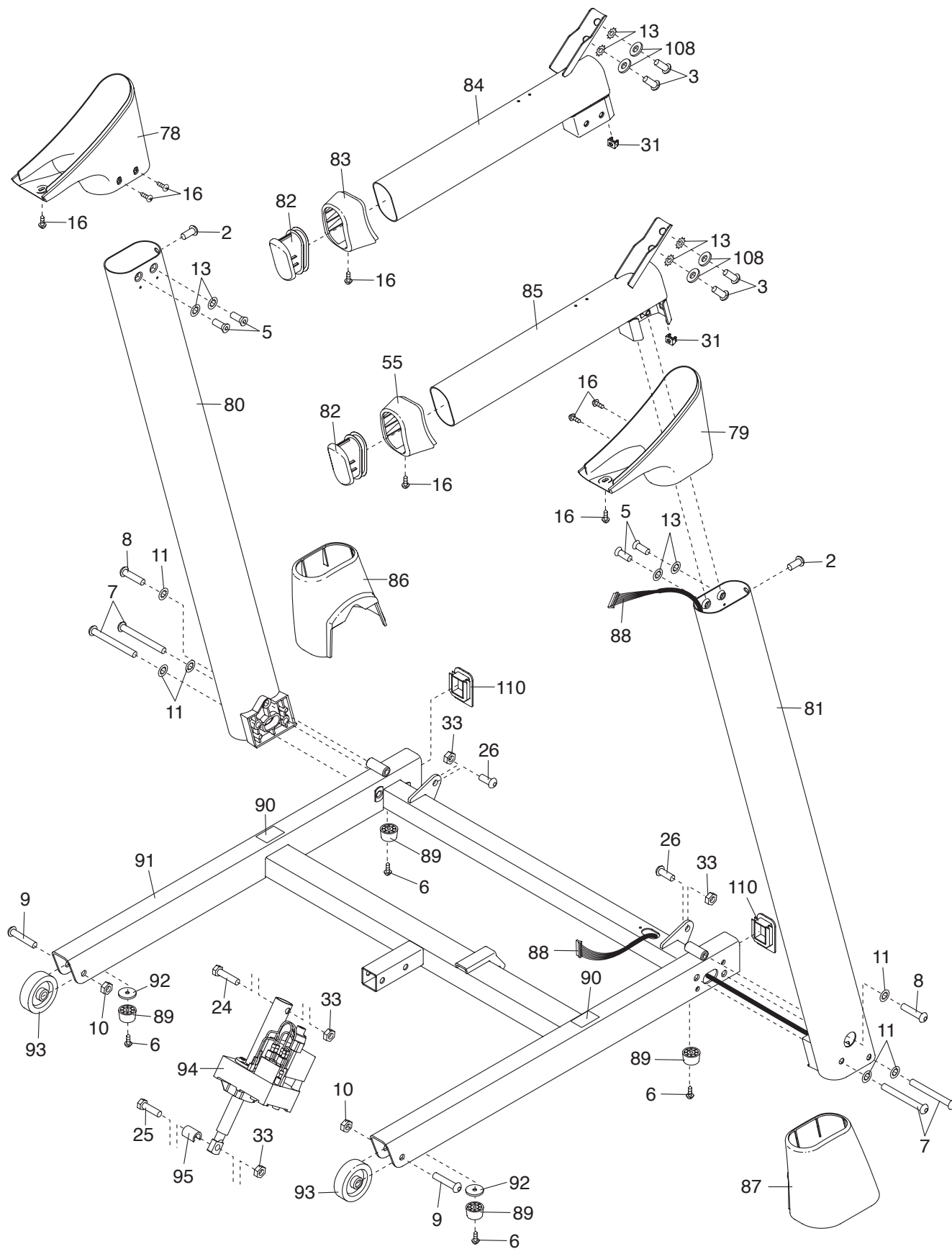
EXPLODED DRAWING B

Model No. RCTL59211.0 R1111A



EXPLODED DRAWING C

Model No. RCTL59211.0 R1111A



EXPLODED DRAWING D

Model No. RCTL59211.0 R1111A

