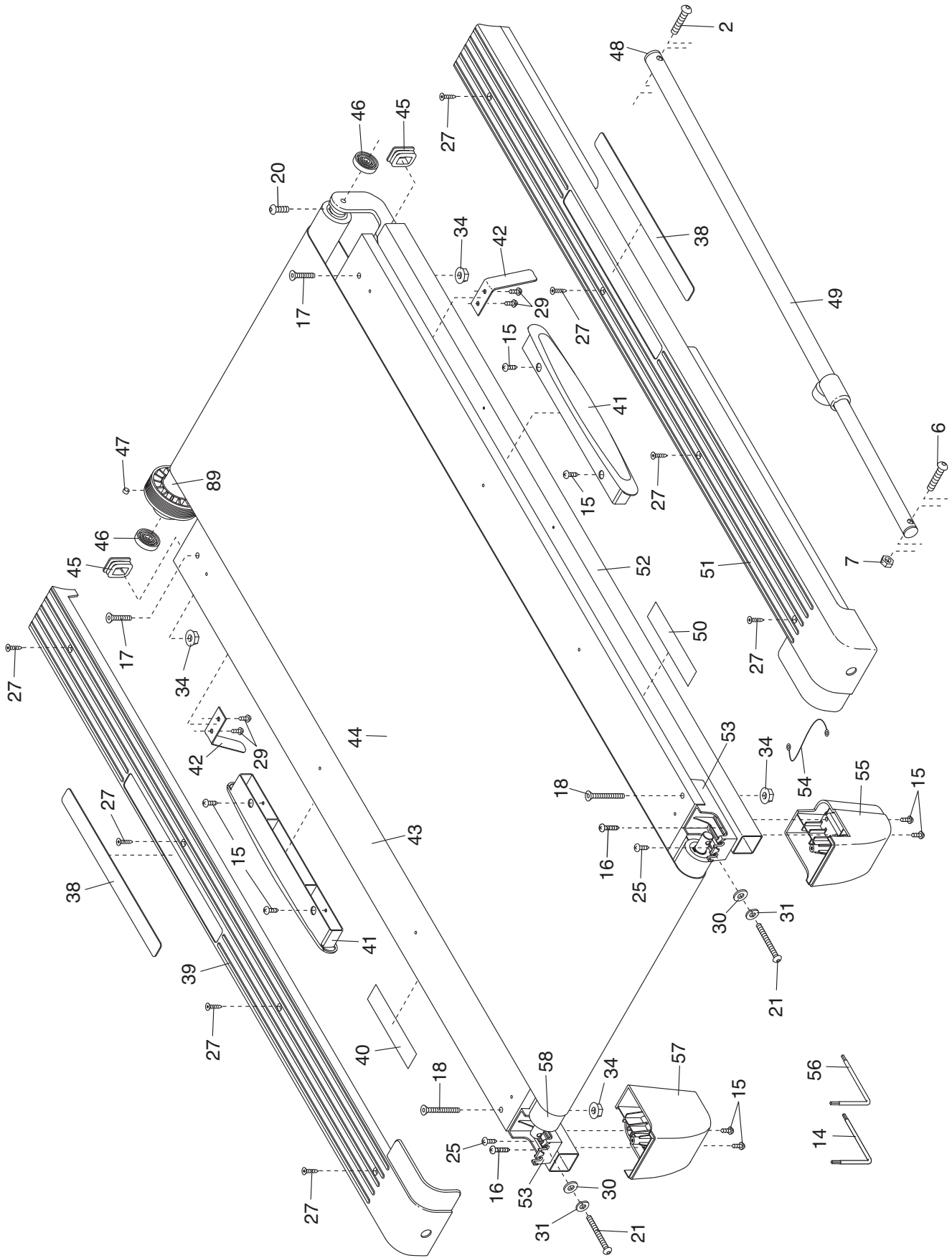


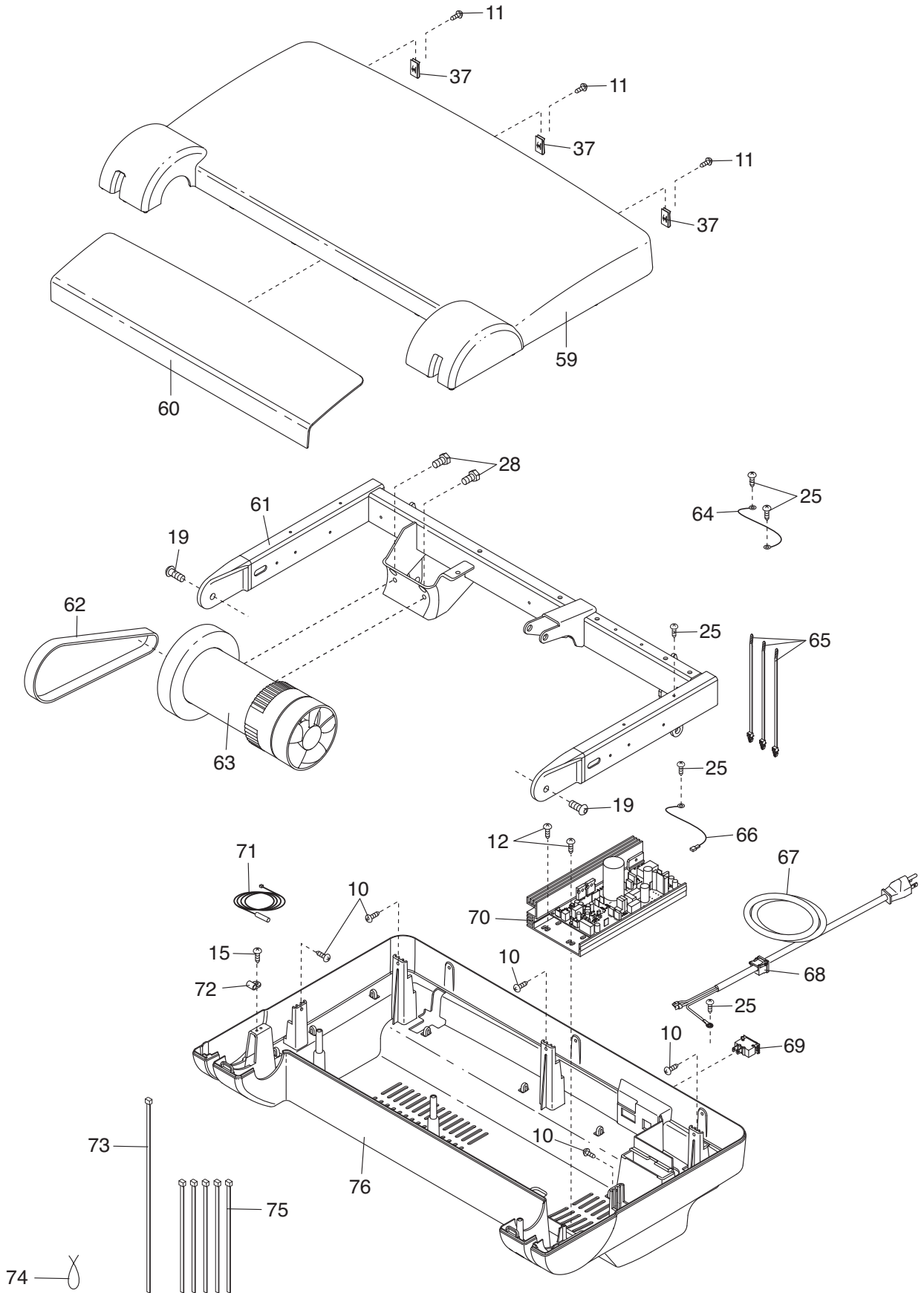
EXPLODED DRAWING A—Model No. RCTL67708.0

R0310A



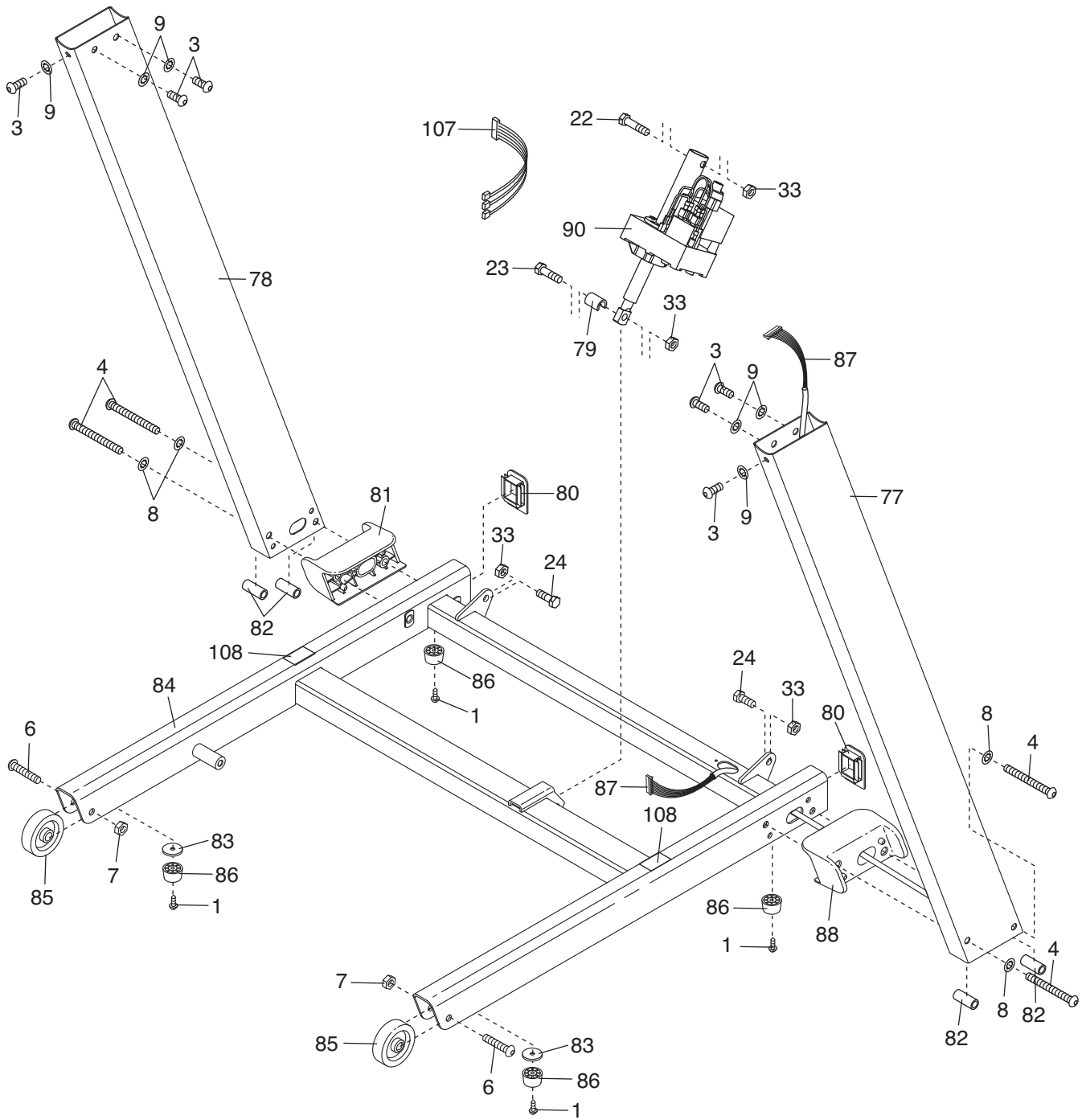
EXPLODED DRAWING B—Model No. RCTL67708.0

R0310A



EXPLODED DRAWING C—Model No. RCTL67708.0

R0310A



EXPLODED DRAWING D—Model No. RCTL67708.0

R0310A

