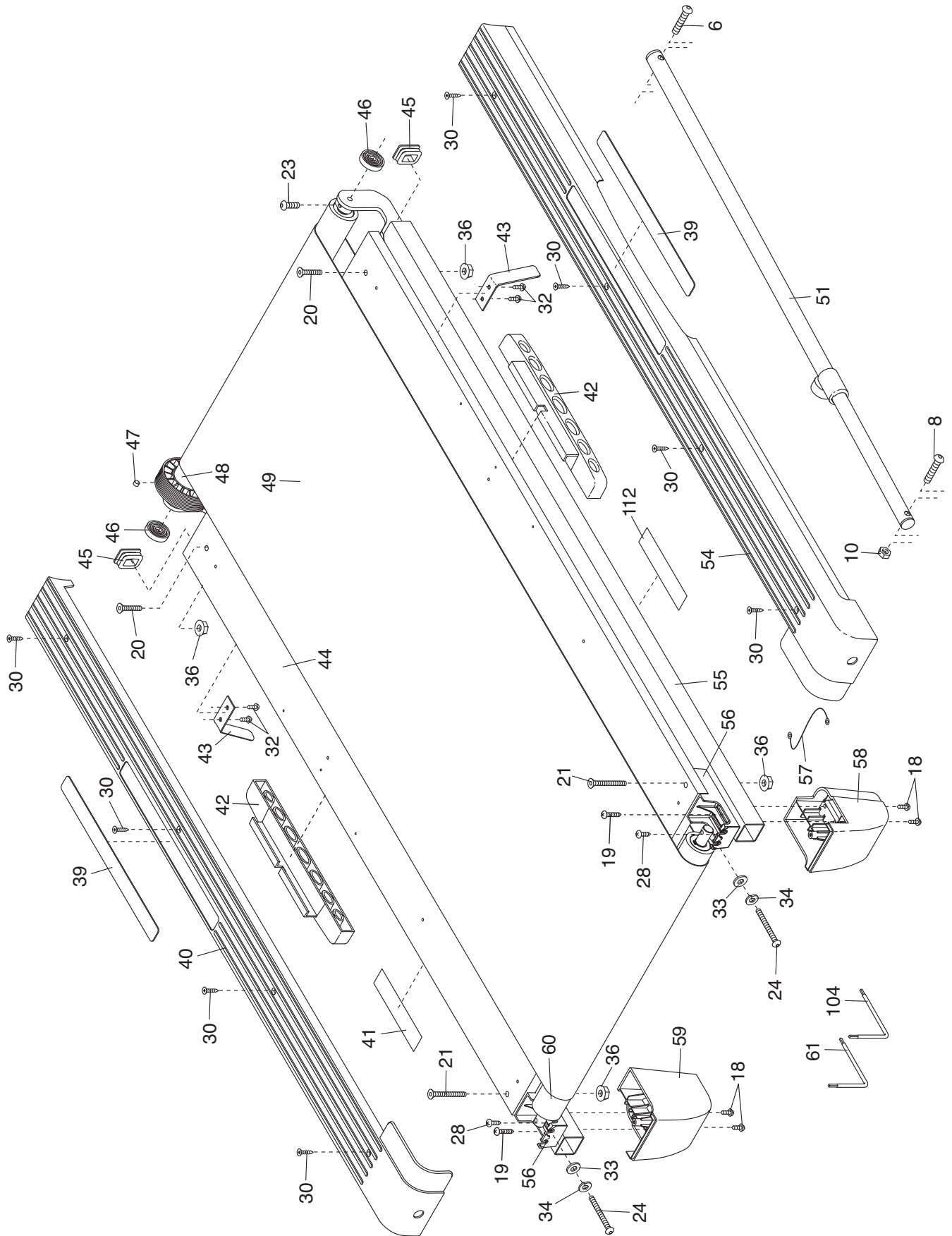


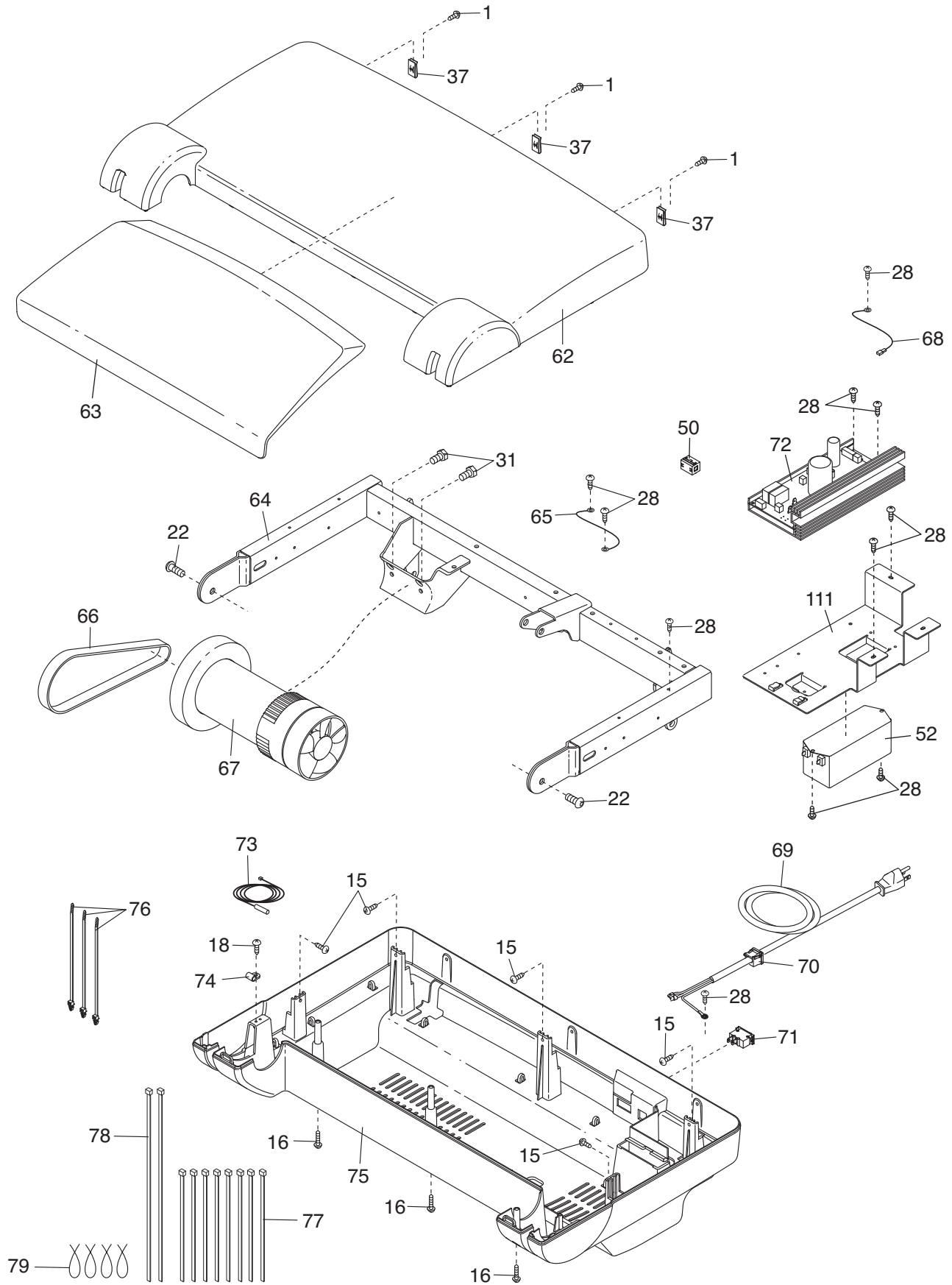
# EXPLODED DRAWING A—Model No. RCTL76010.0

R0710A



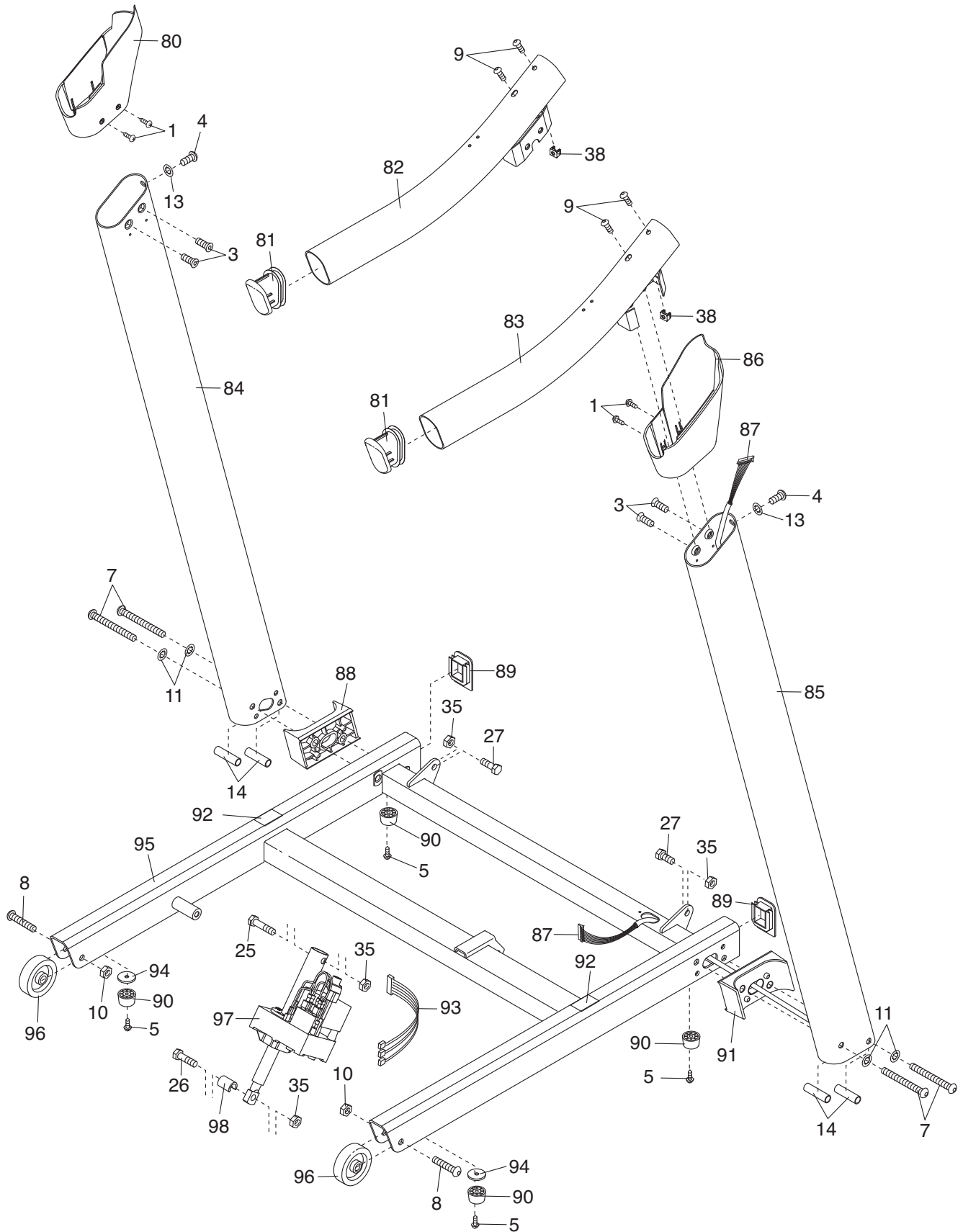
# EXPLODED DRAWING B—Model No. RCTL76010.0

R0710A



# EXPLODED DRAWING C—Model No. RCTL76010.0

R0710A



# EXPLODED DRAWING D—Model No. RCTL76010.0

R0710A

