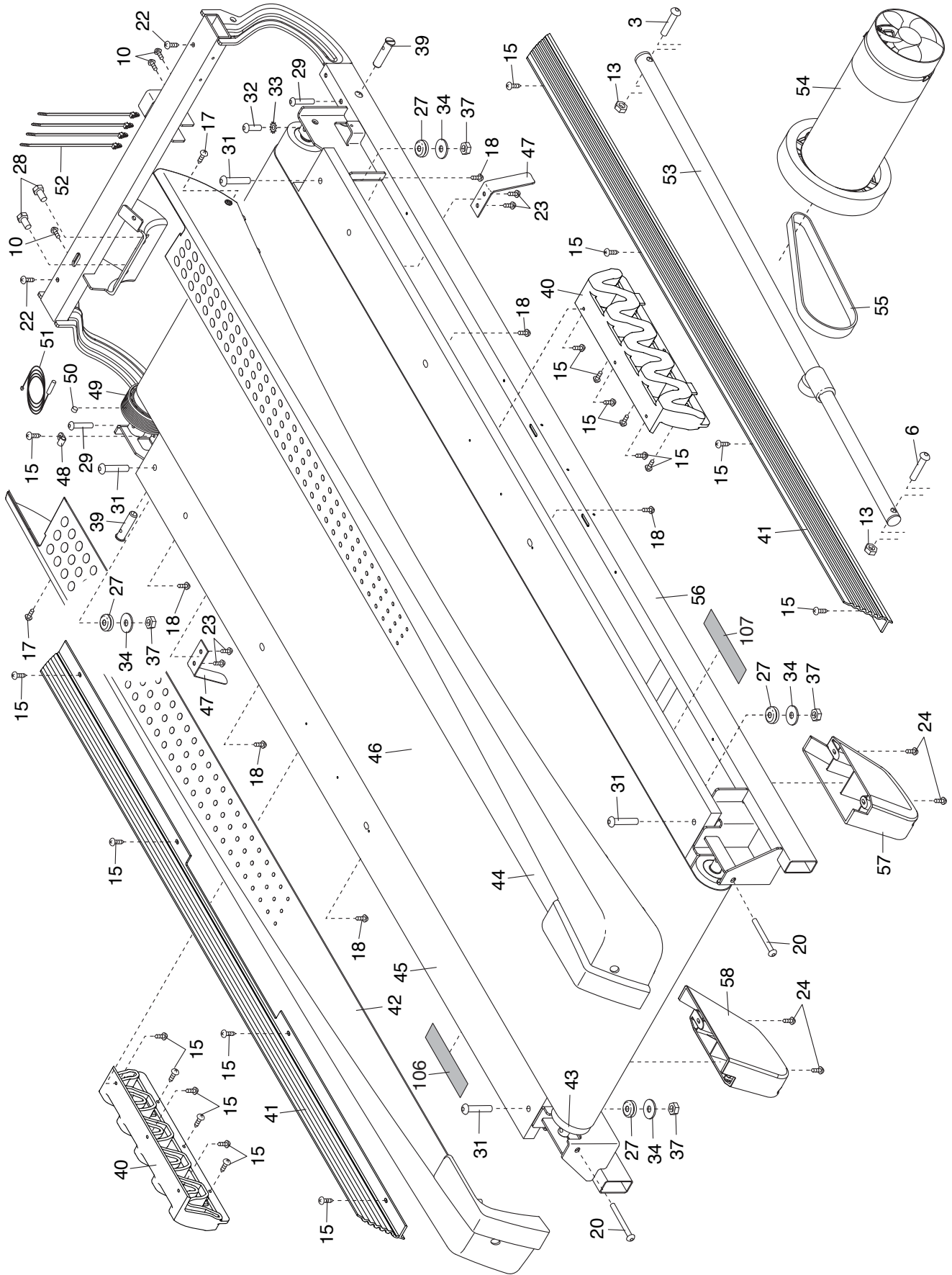


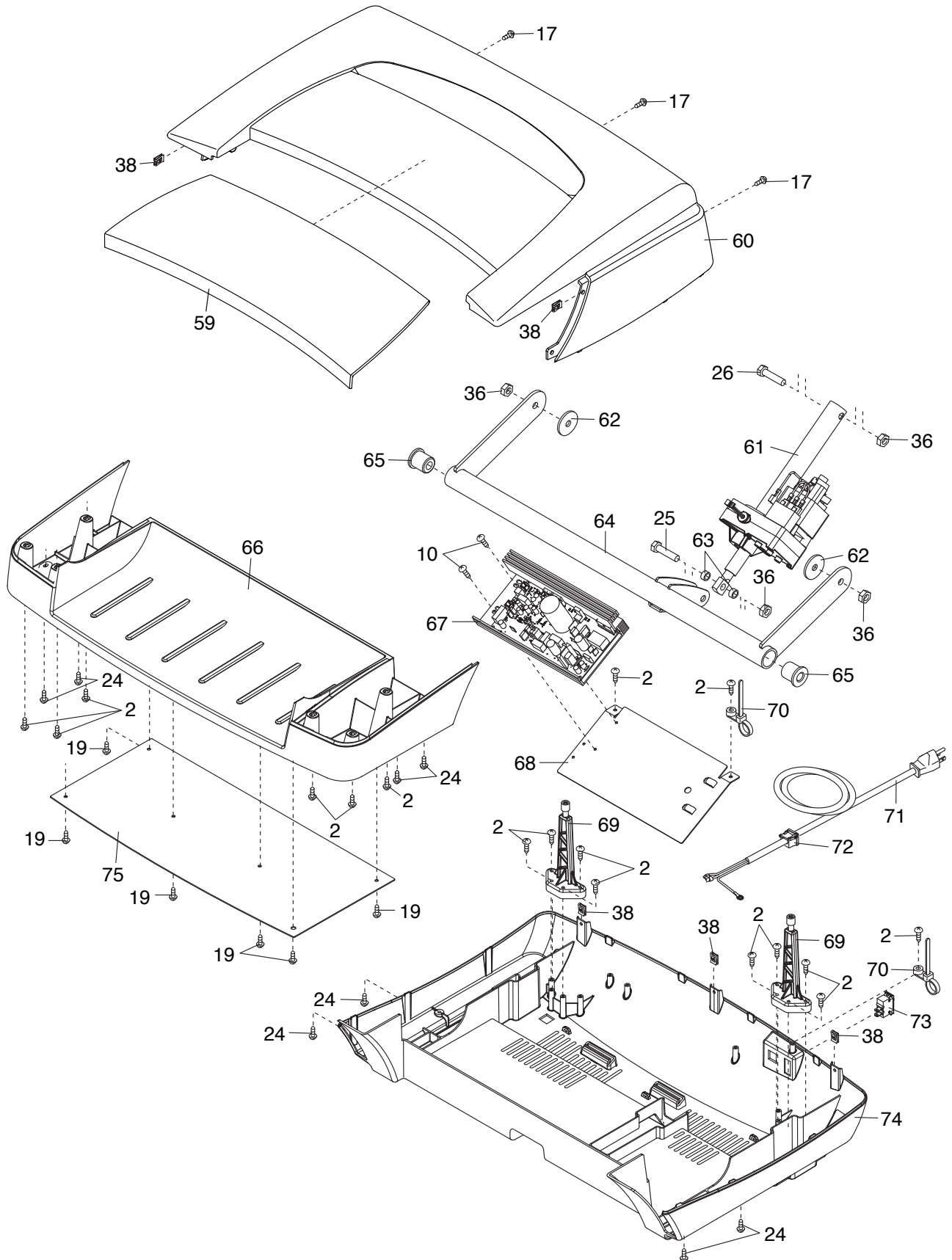
EXPLODED DRAWING A

Model No. RCTL99013.0 R0713A



EXPLODED DRAWING B

Model No. RCTL99013.0 R0713A



EXPLODED DRAWING C

Model No. RCTL99013.0 R0713A

