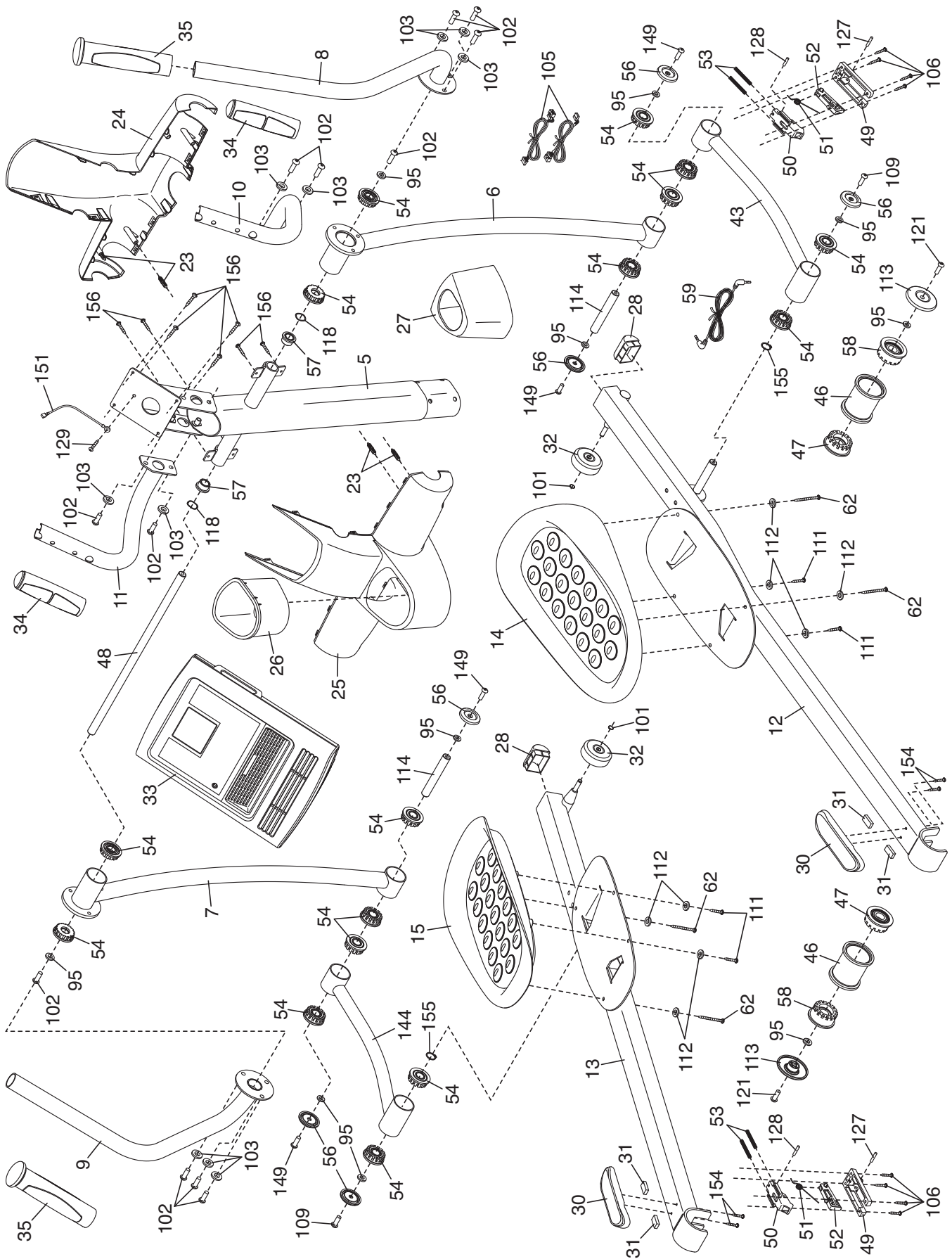
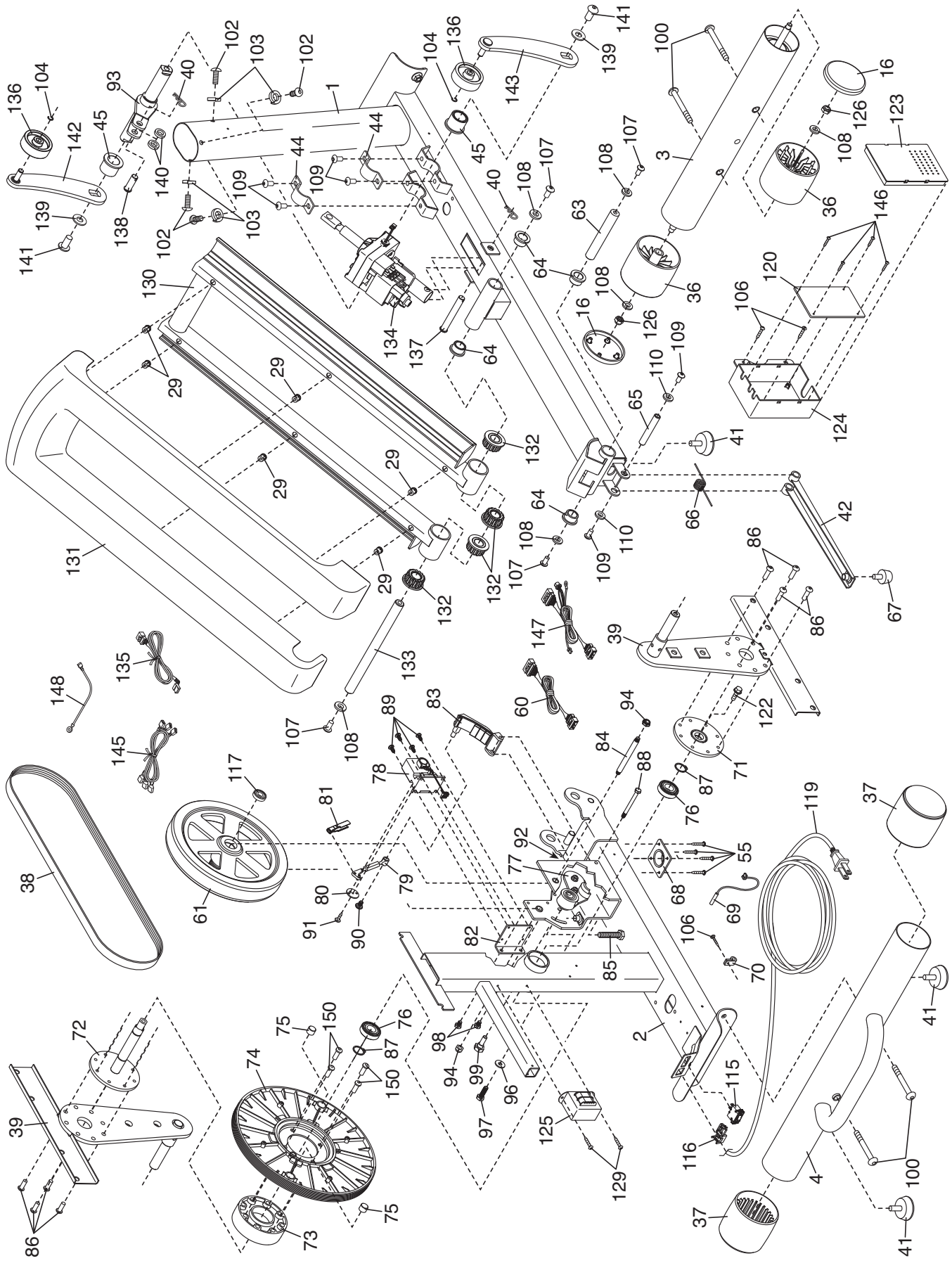


EXPLODED DRAWING A – Model No. SFCCEL16010.0 R0610A



EXPLODED DRAWING B – Model No. SFCCEL16010.0 R0610A



EXPLODED DRAWING C—Model No. SFCCEL16010.0 R0610A

