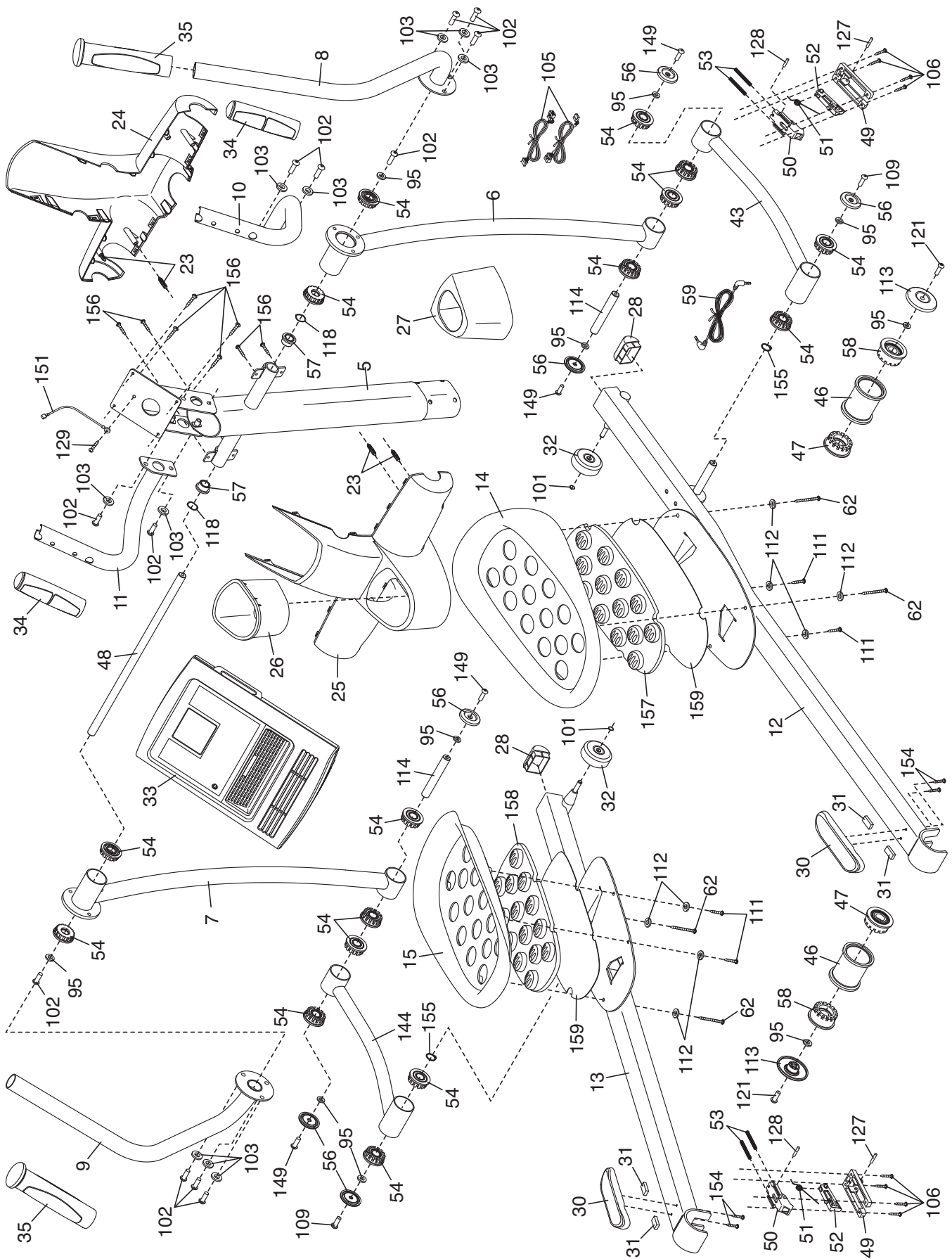
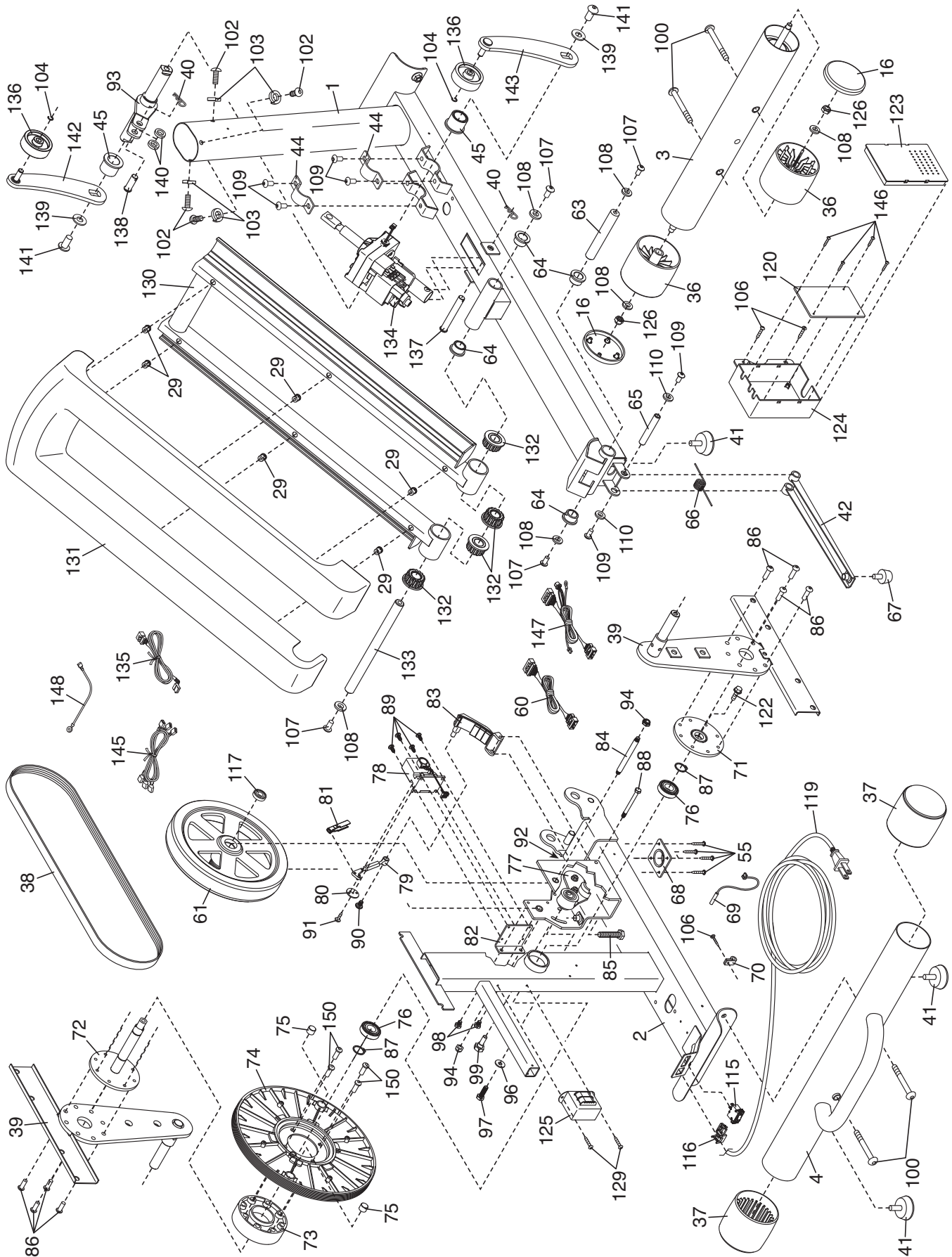


EXPLODED DRAWING A—Model No. SFCCEL16010.1 R0810A



EXPLODED DRAWING B – Model No. SFCCEL16010.1 R0810A



EXPLODED DRAWING C—Model No. SFCCEL16010.1 R0810A

