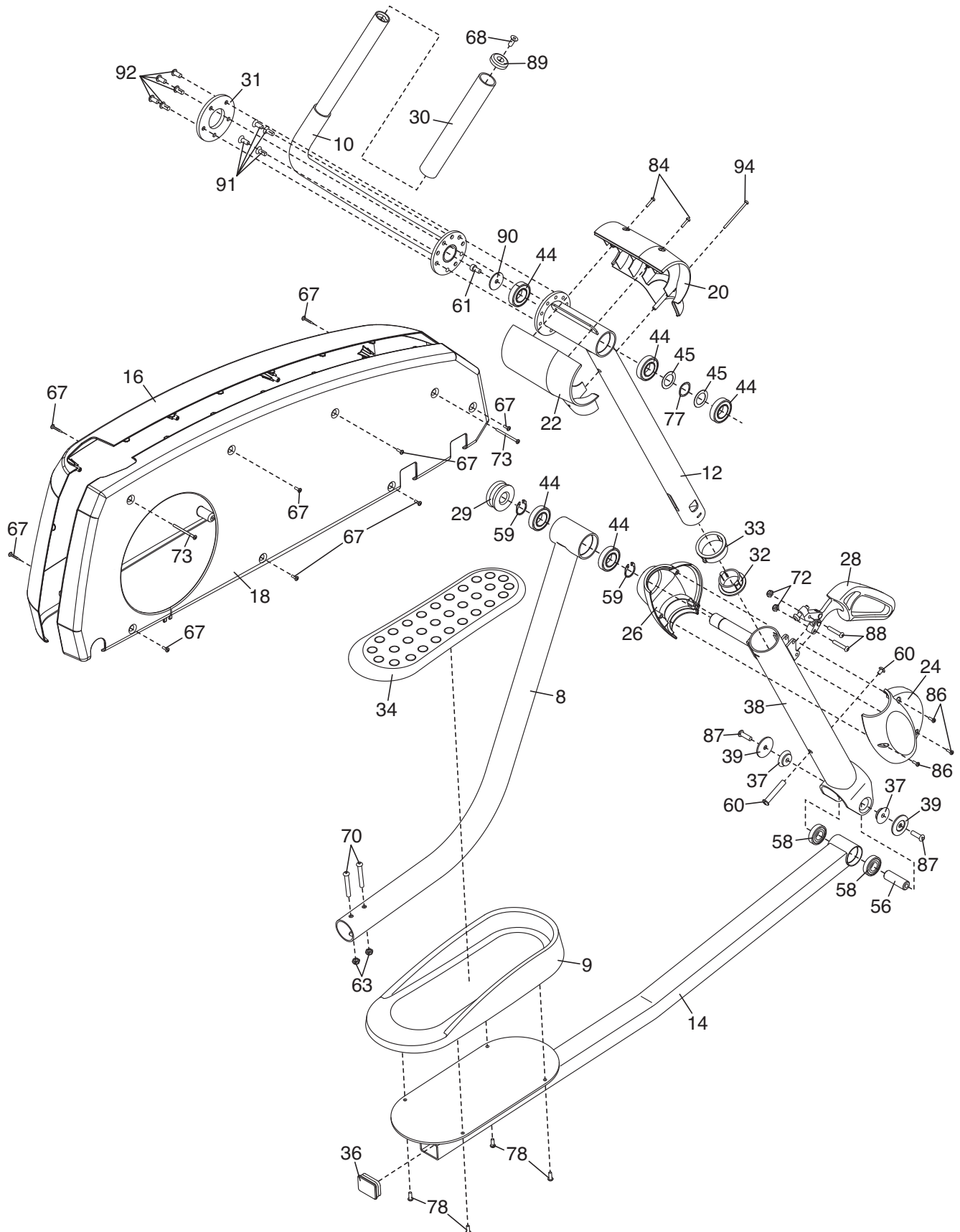


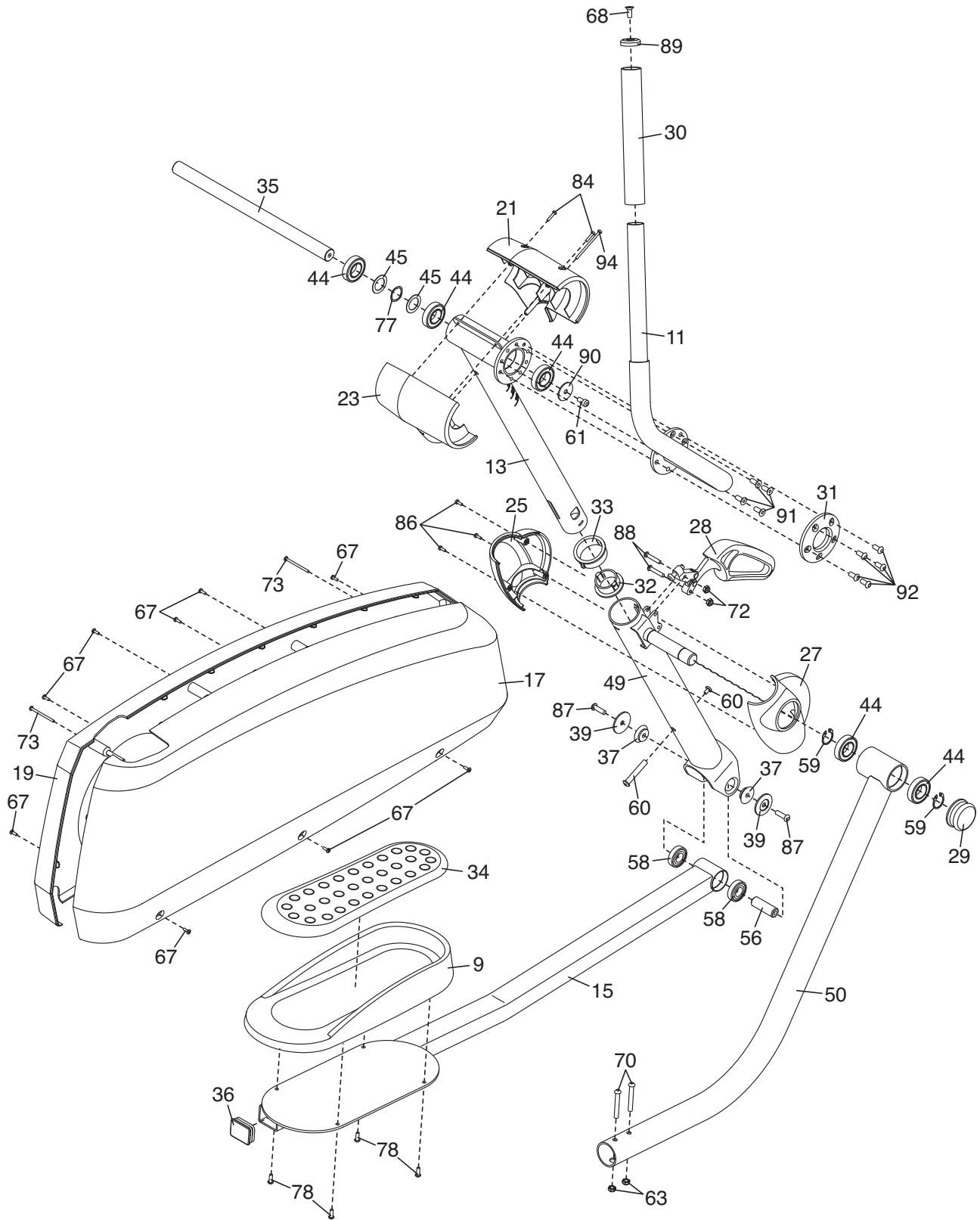
# EXPLODED DRAWING A—Model No. SFCW81707.0

R0310A



# EXPLODED DRAWING B—Model No. SFCW81707.0

R0310A



# EXPLODED DRAWING C—Model No. SFCW81707.0

R0310A

