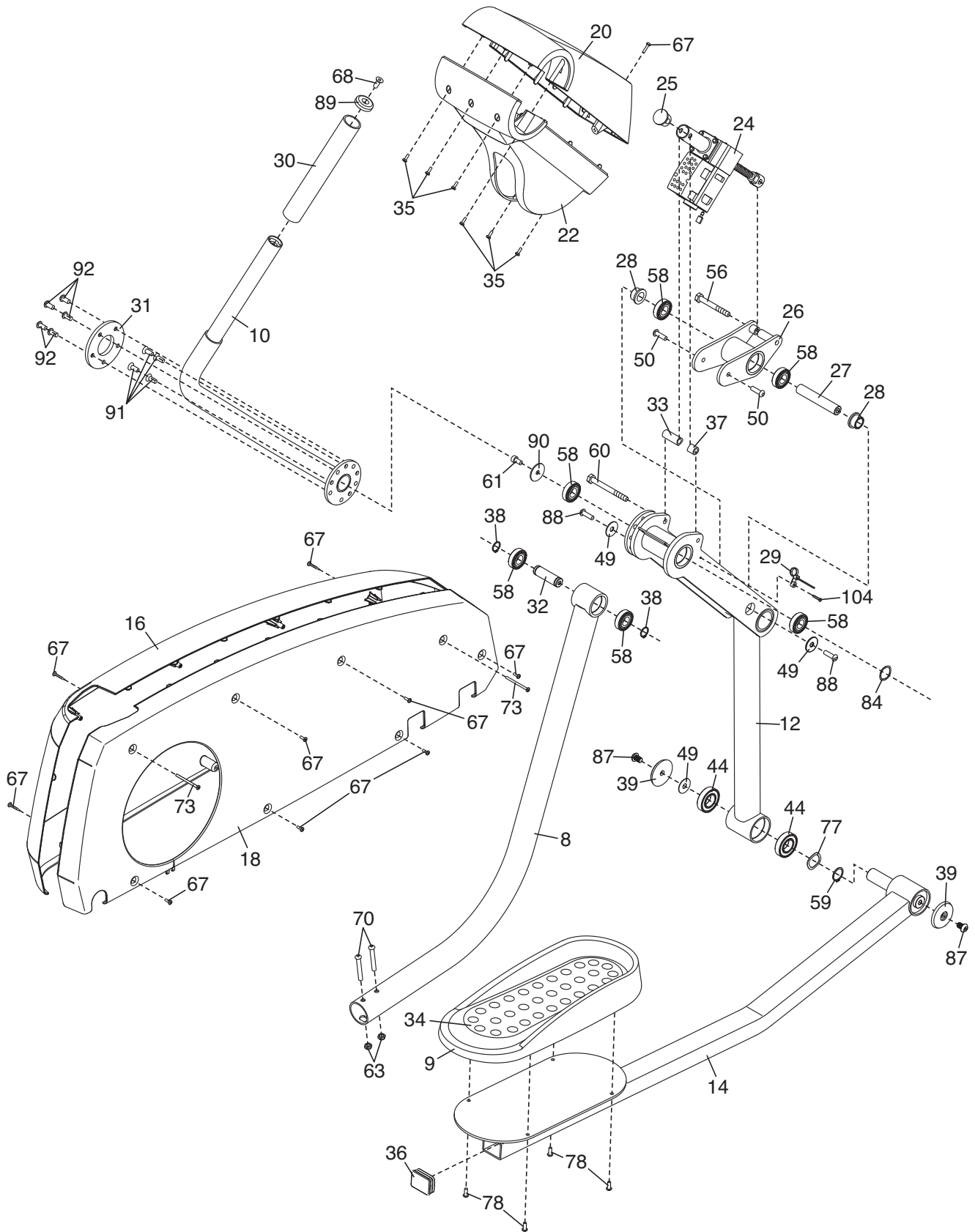


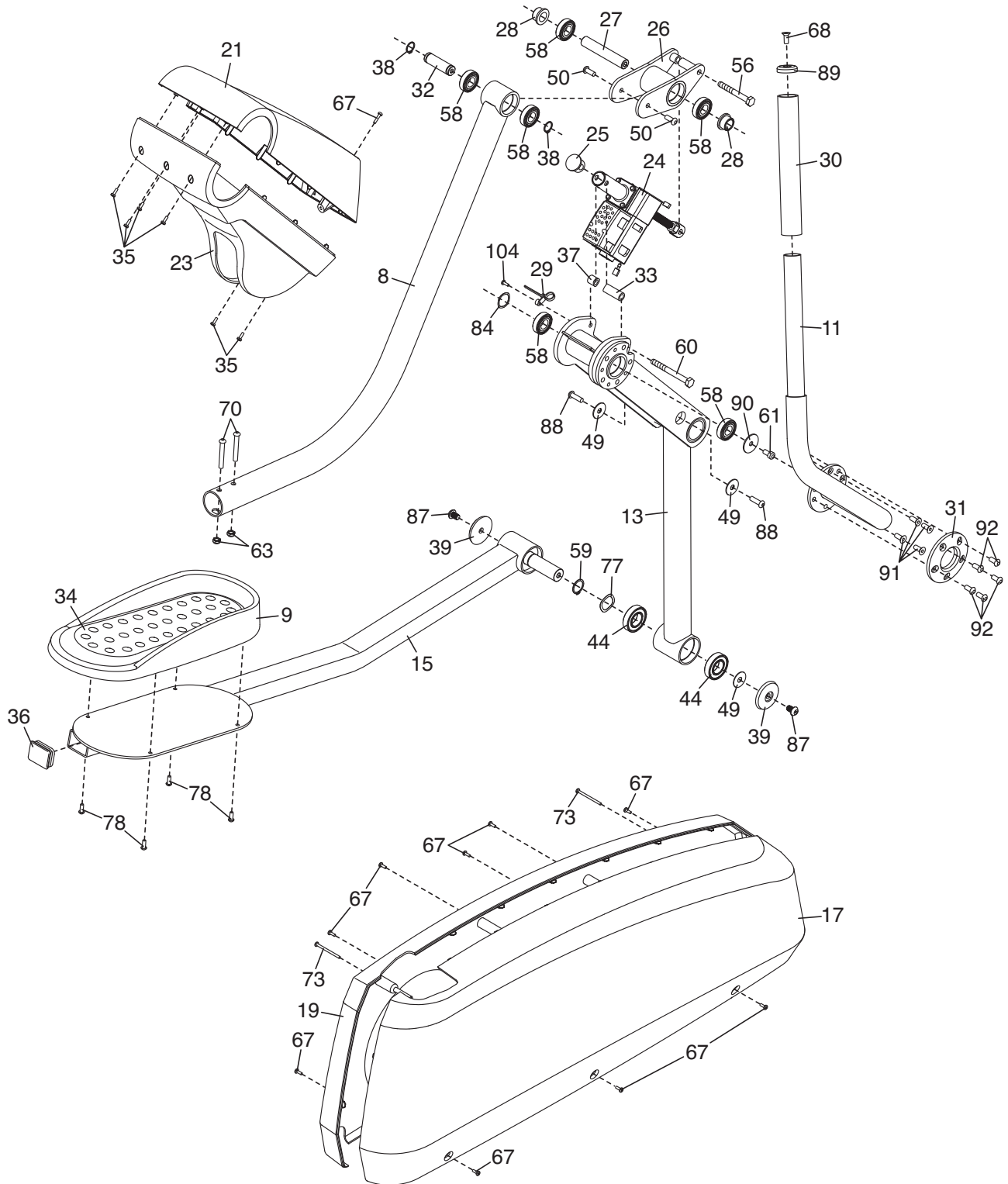
EXPLODED DRAWING A—Model No. SFCW82207.0

R0908A



EXPLODED DRAWING B—Model No. SFCW82207.0

R0908A



EXPLODED DRAWING C—Model No. SFCW82207.0

R0908A

