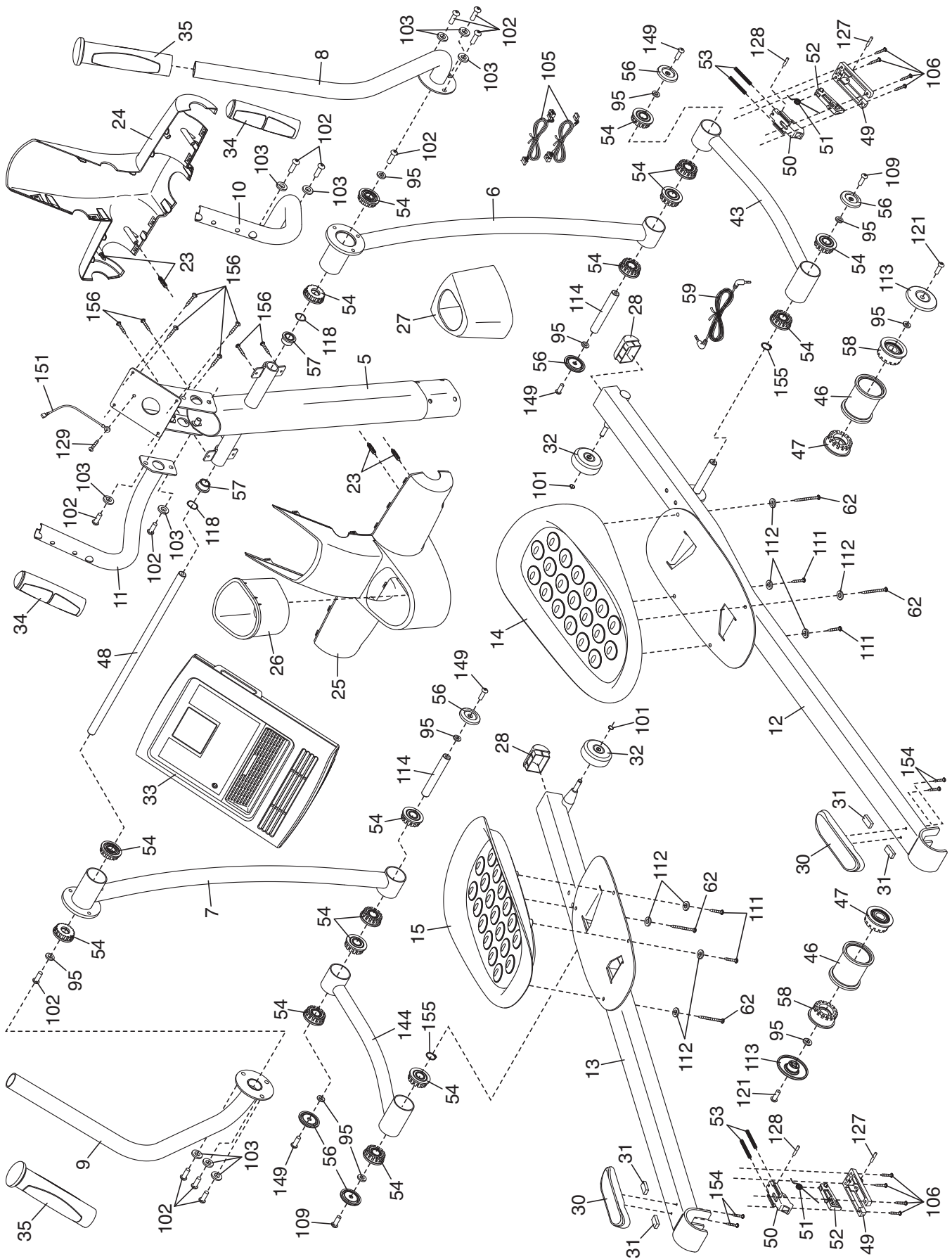


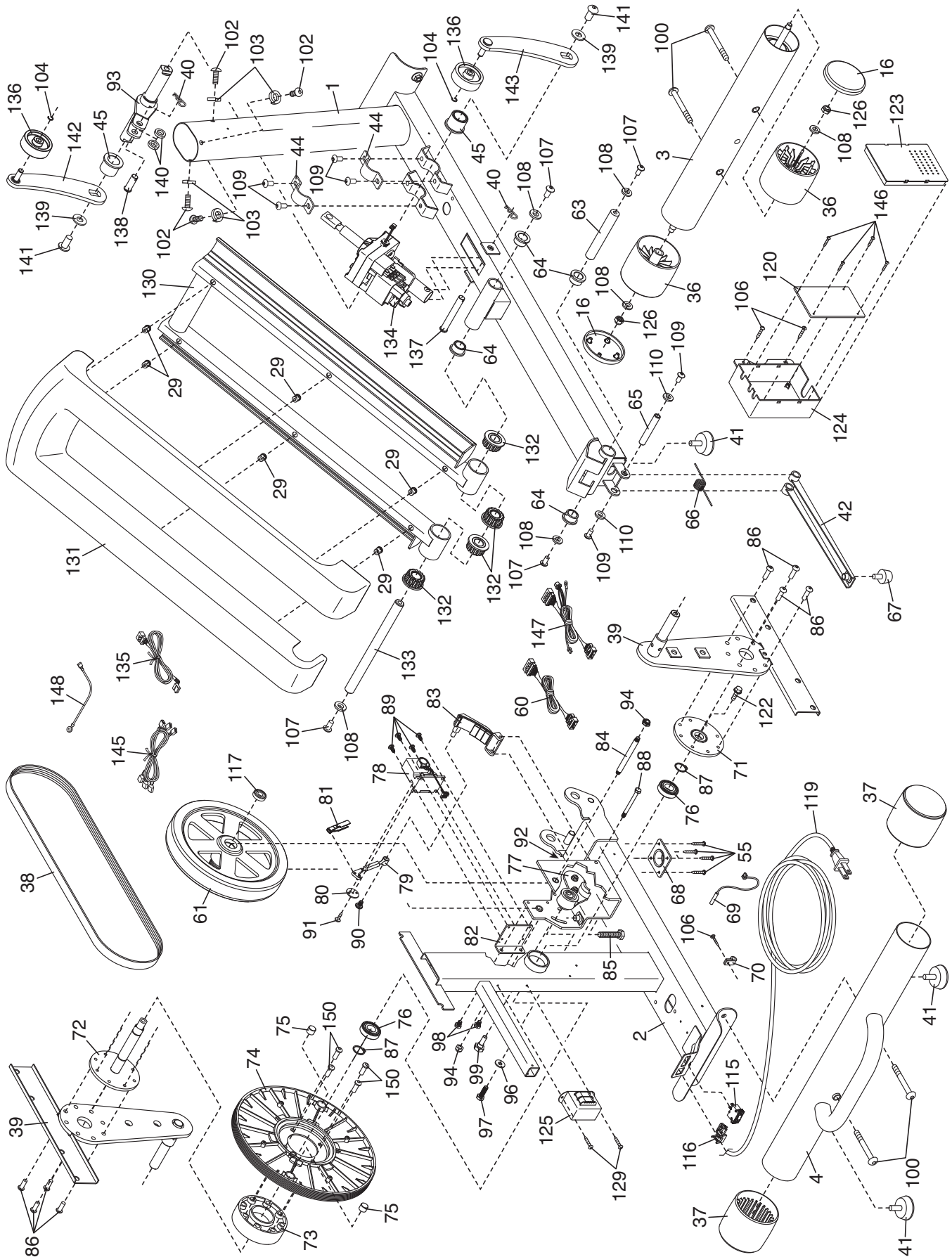
EXPLODED DRAWING A—Model No. SFEL16009.1

R0310A



EXPLODED DRAWING B – Model No. SFEL16009.1

R0310A



EXPLODED DRAWING C—Model No. SFEL16009.1

R0310A

