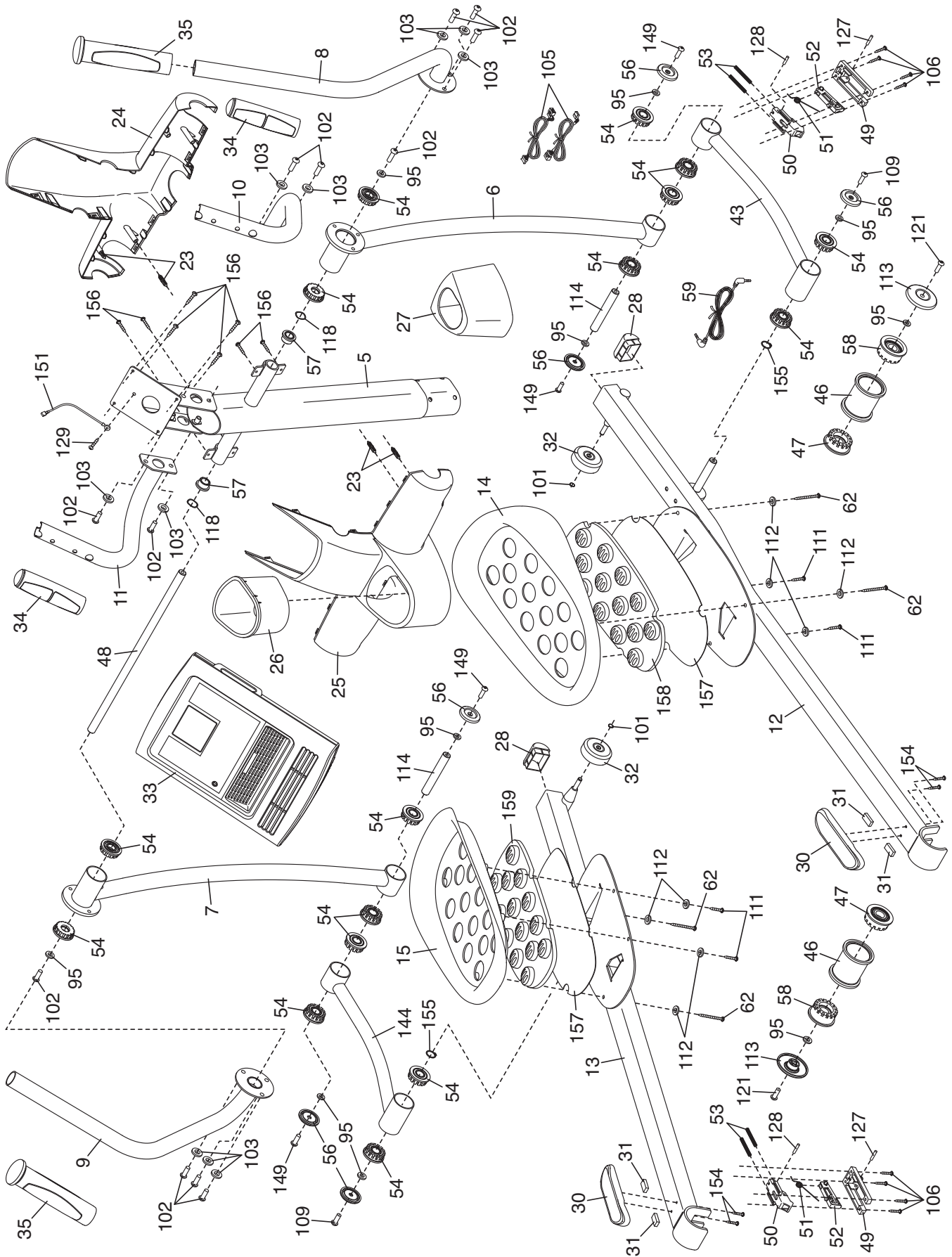


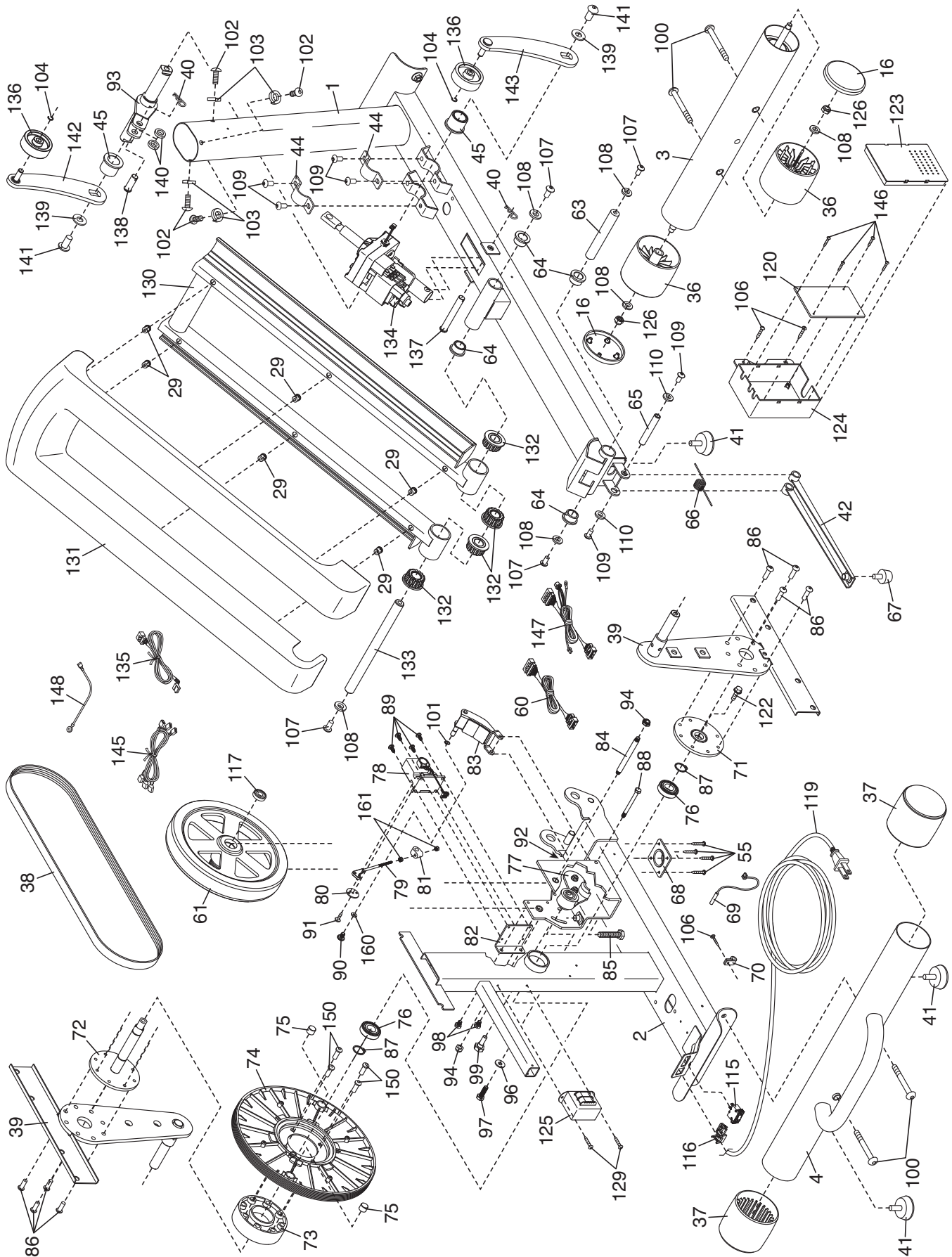
# EXPLODED DRAWING A

Model No. SFEL16009.3 R0112A



# EXPLODED DRAWING B

Model No. SFEL16009.3 R0112A



# EXPLODED DRAWING C

Model No. SFEL16009.3 R0112A

