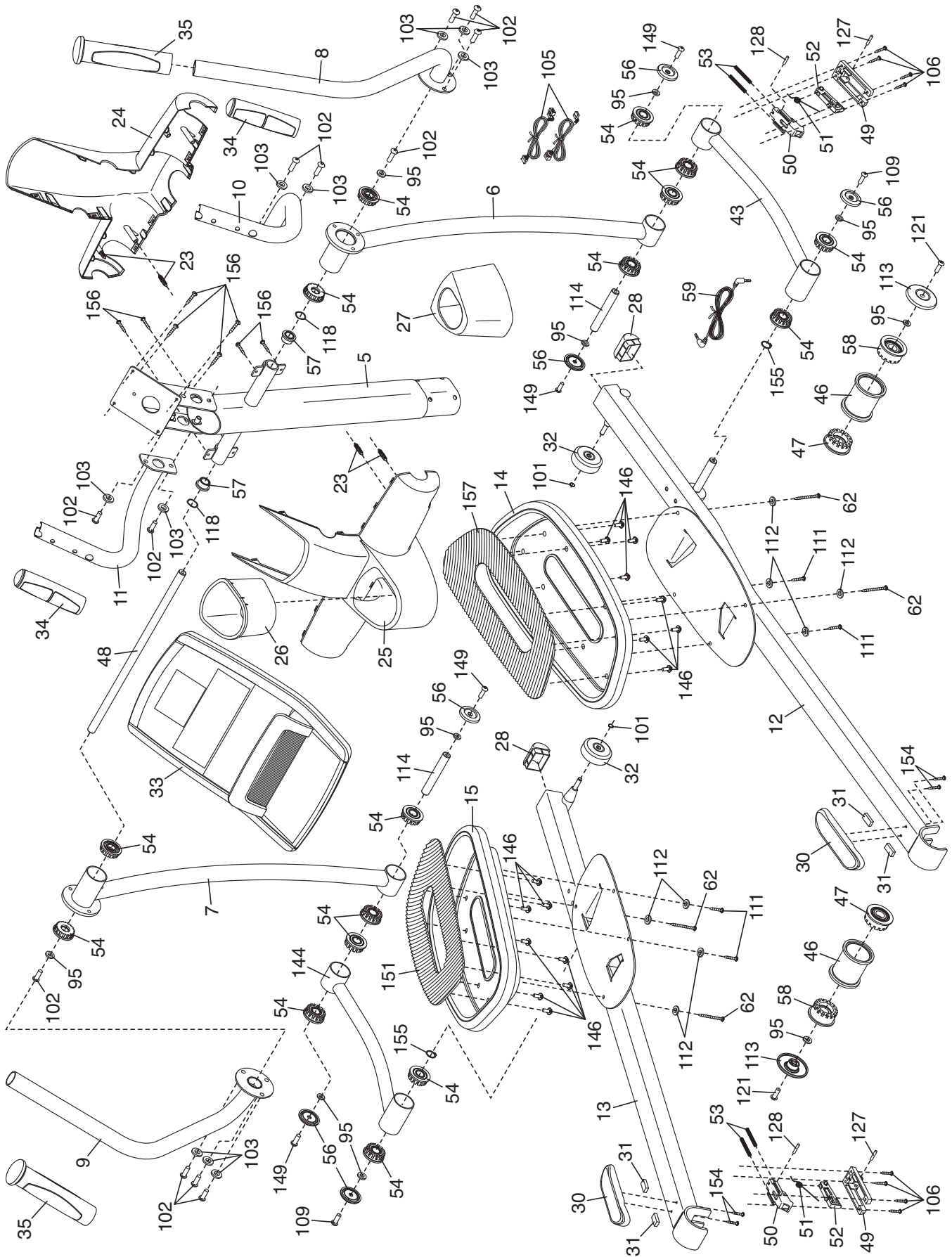


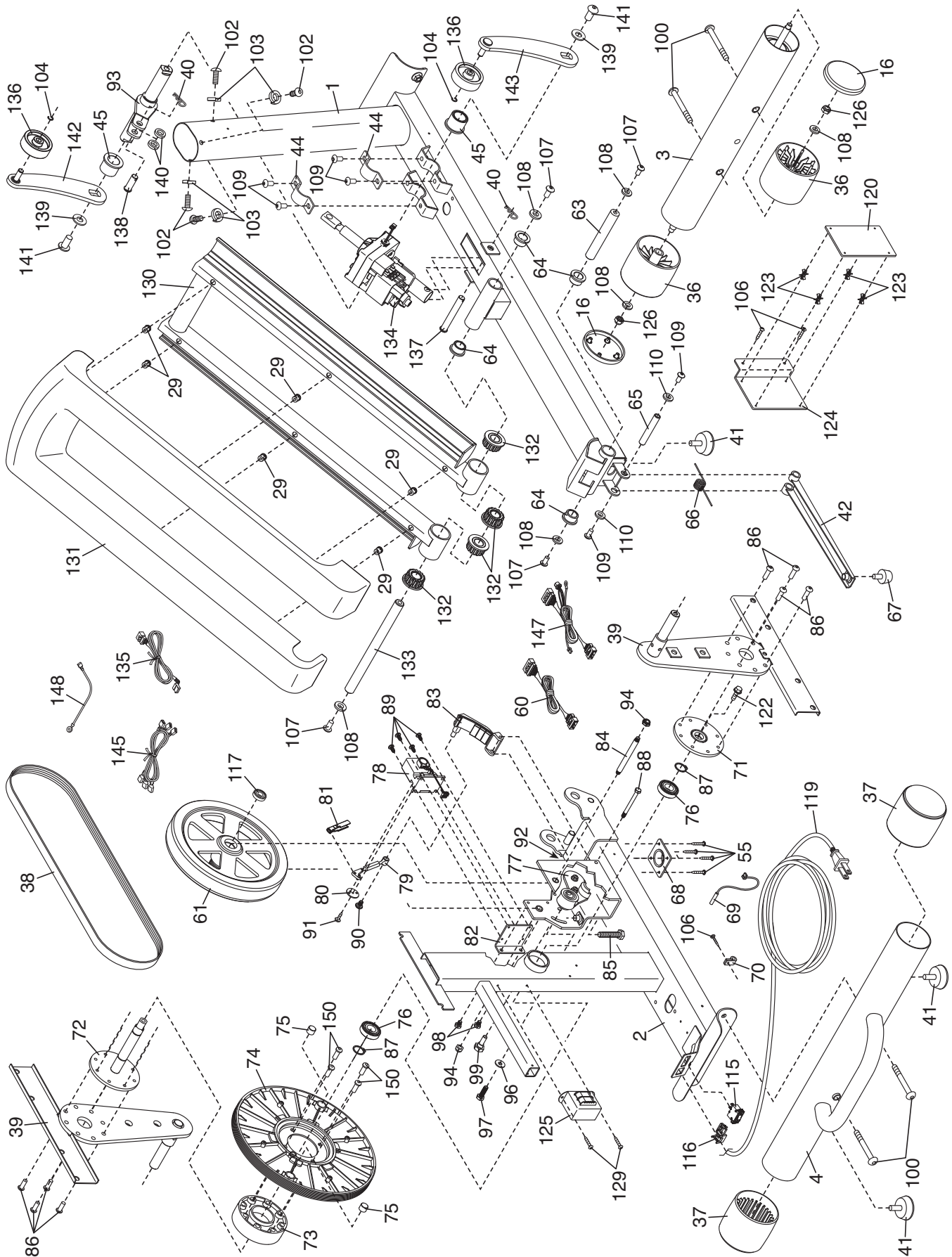
EXPLODED DRAWING A – Model No. SFEL16010.0

R0910A



EXPLODED DRAWING B – Model No. SFEL16010.0

R0910A



EXPLODED DRAWING C—Model No. SFEL16010.0

R0910A

