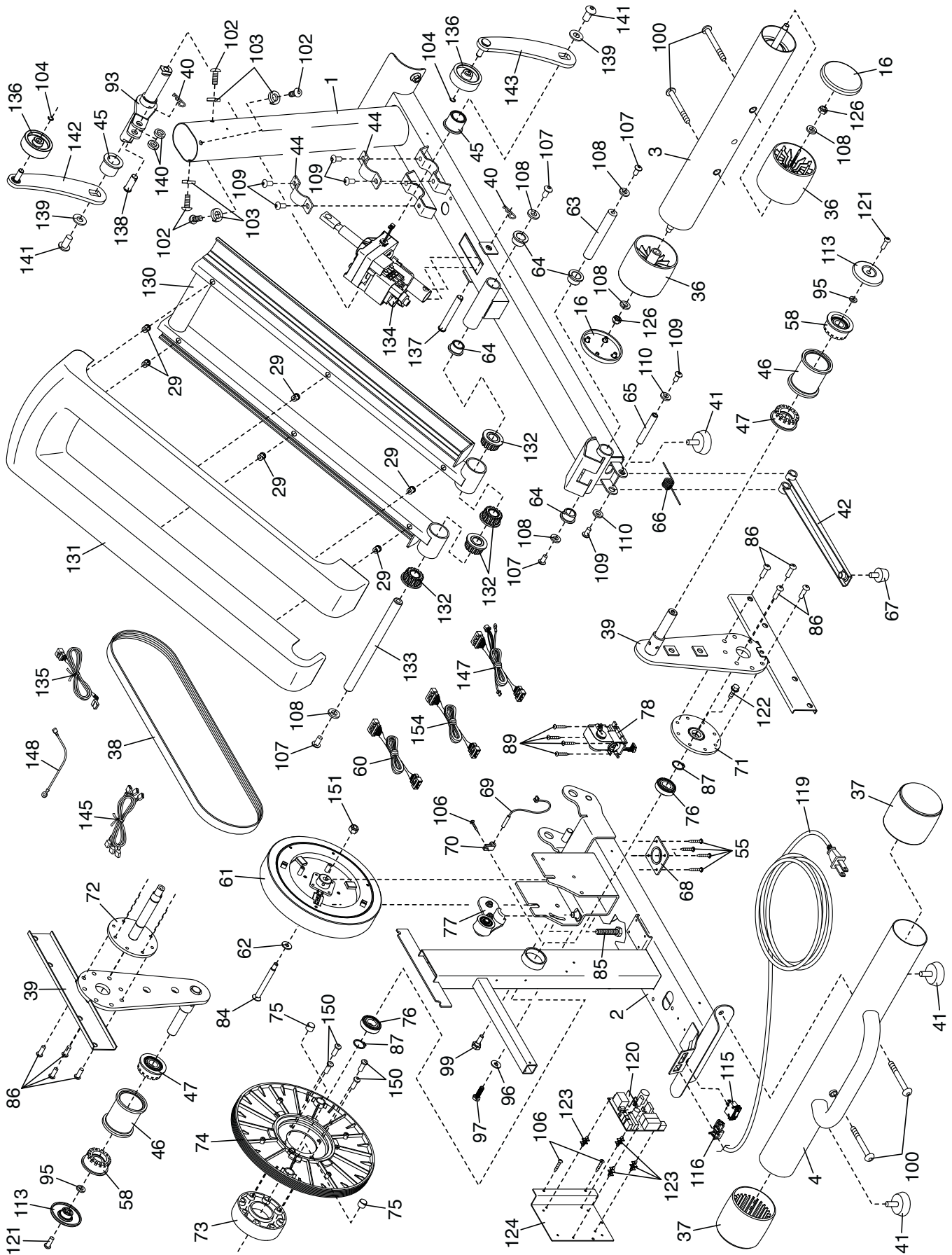


EXPLODED DRAWING B

Model No. SFEL16011.0 R1111A



EXPLODED DRAWING C

Model No. SFEL16011.0 R1111A

