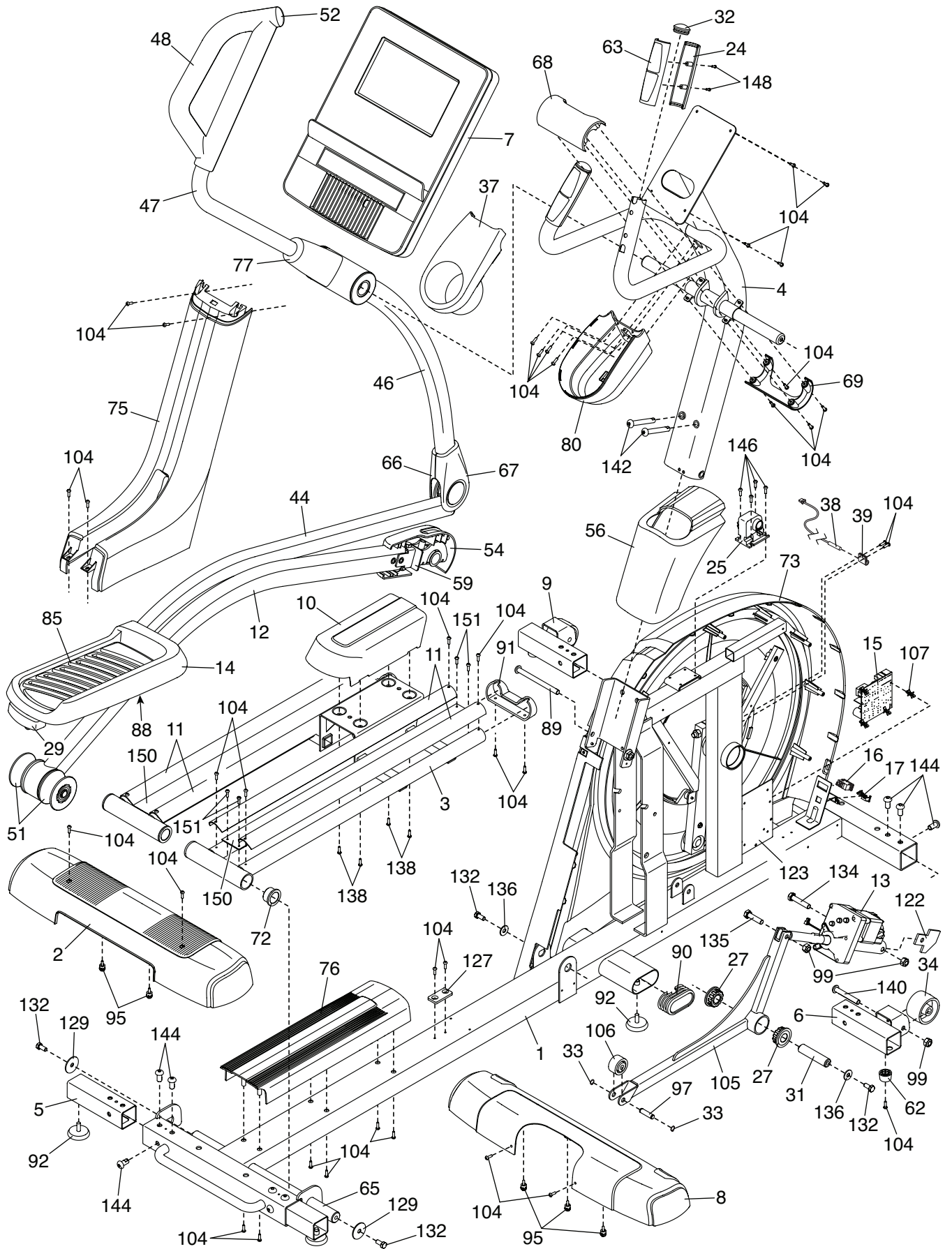


# EXPLODED DRAWING A

Model No. SFEL51213.1 R0315A



# EXPLODED DRAWING B

Model No. SFEL51213.1 R0315A

