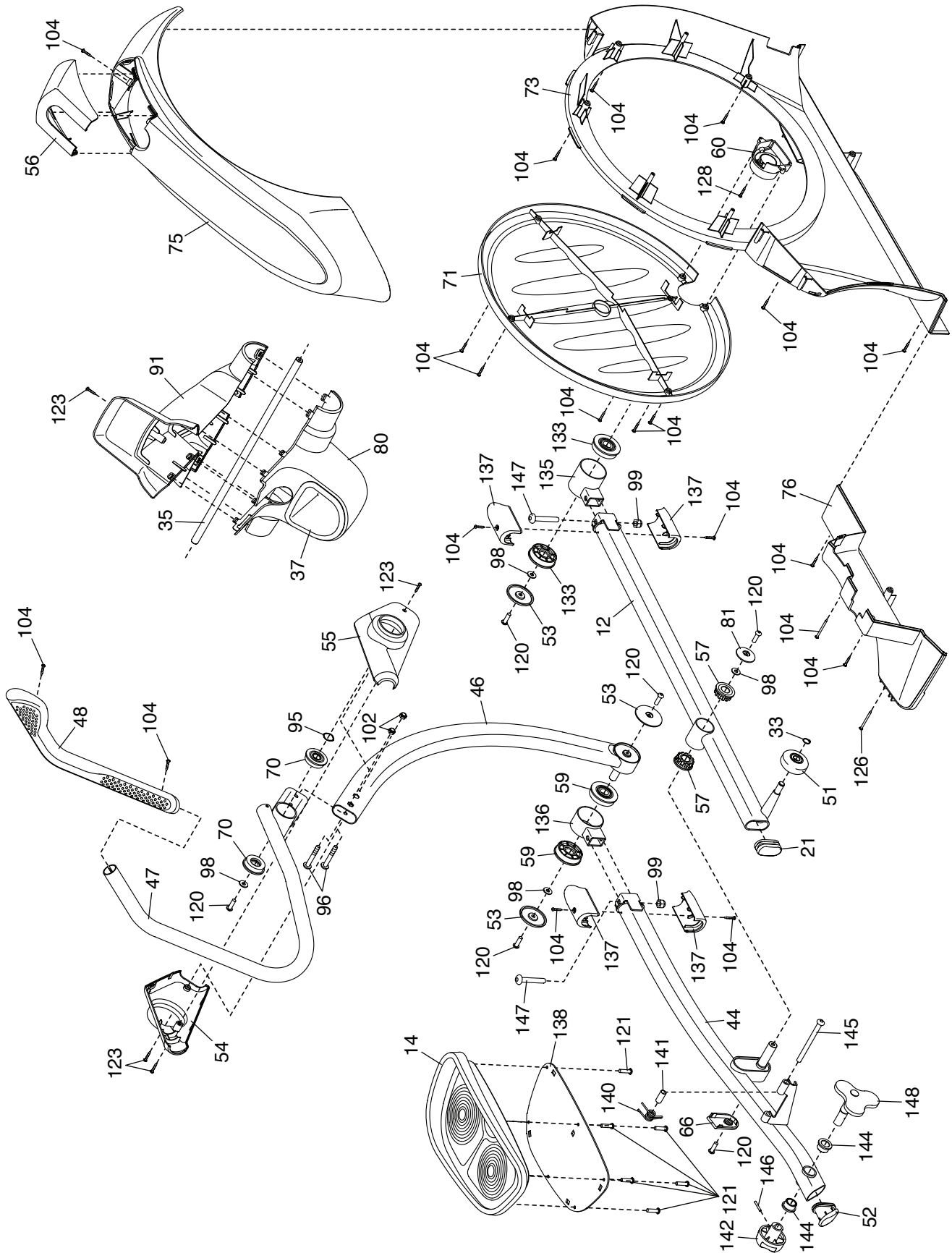


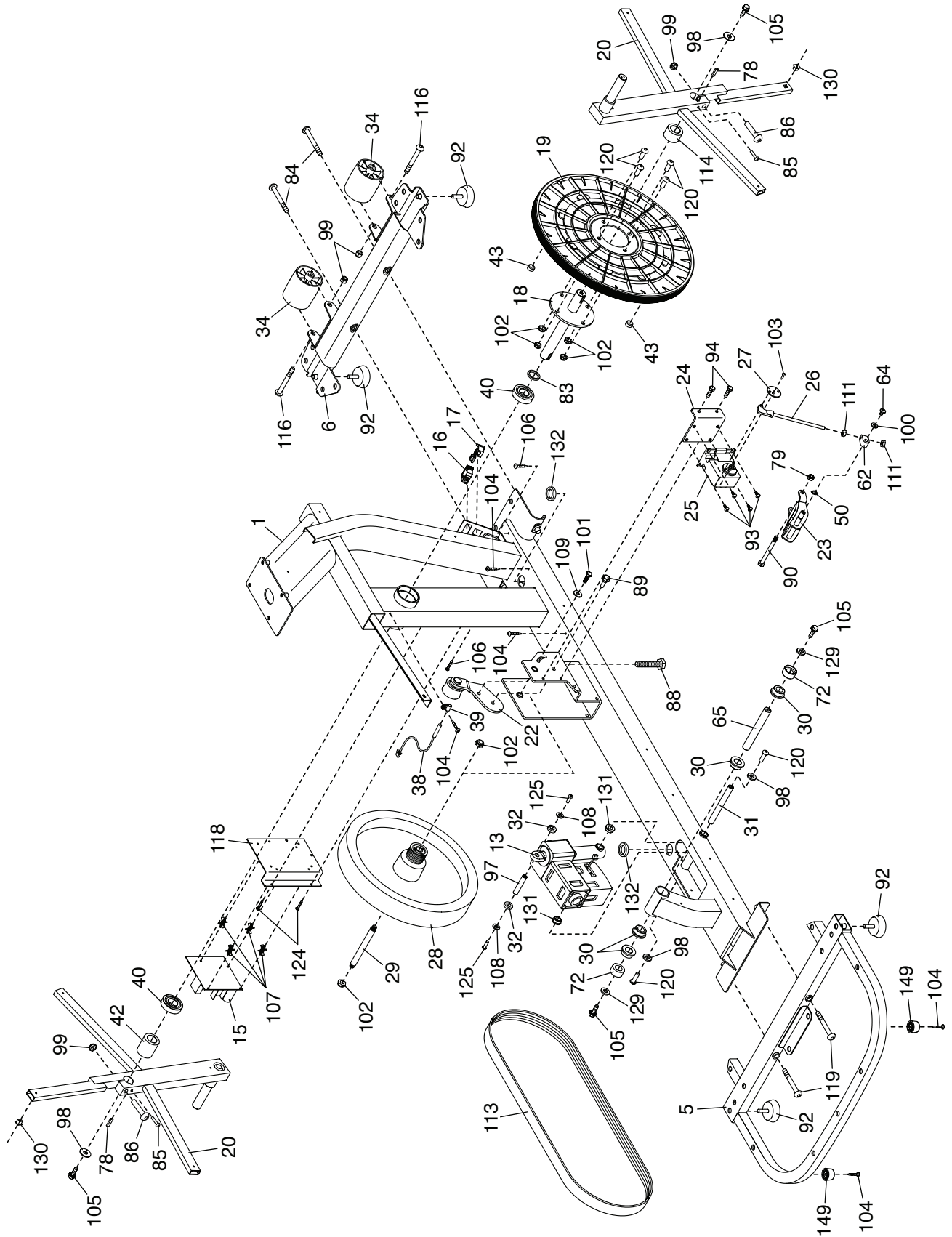
EXPLODED DRAWING A

Model No. SFEL51411.2 R0113A



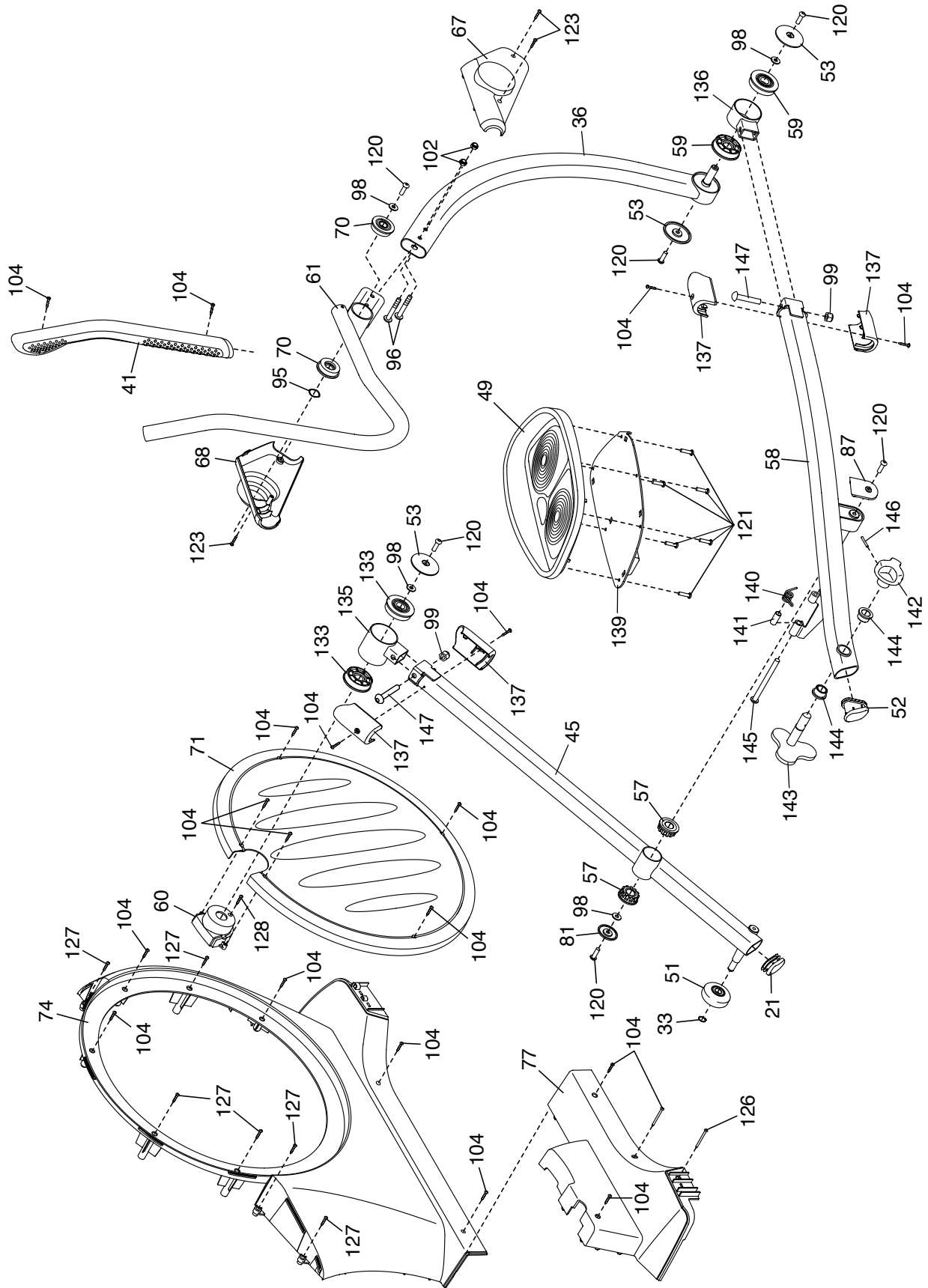
EXPLODED DRAWING B

Model No. SFEL51411.2 R0113A



EXPLODED DRAWING C

Model No. SFEL51411.2 R0113A



EXPLODED DRAWING D

Model No. SFEL51411.2 R0113A

