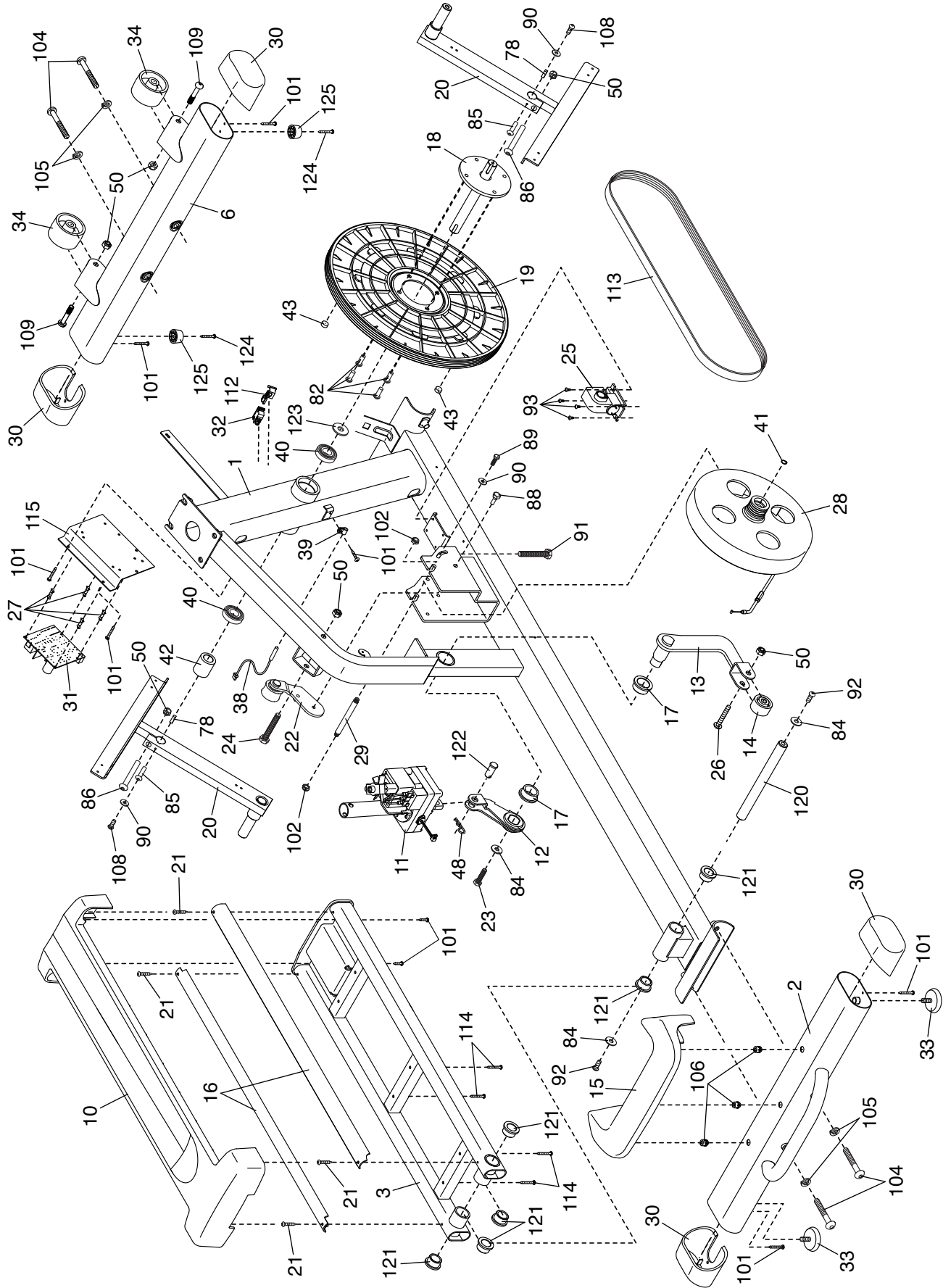


EXPLODED DRAWING A

Model No. SFEL58014.3 R0216A



EXPLODED DRAWING C

Model No. SFEL58014.3 R0216A

