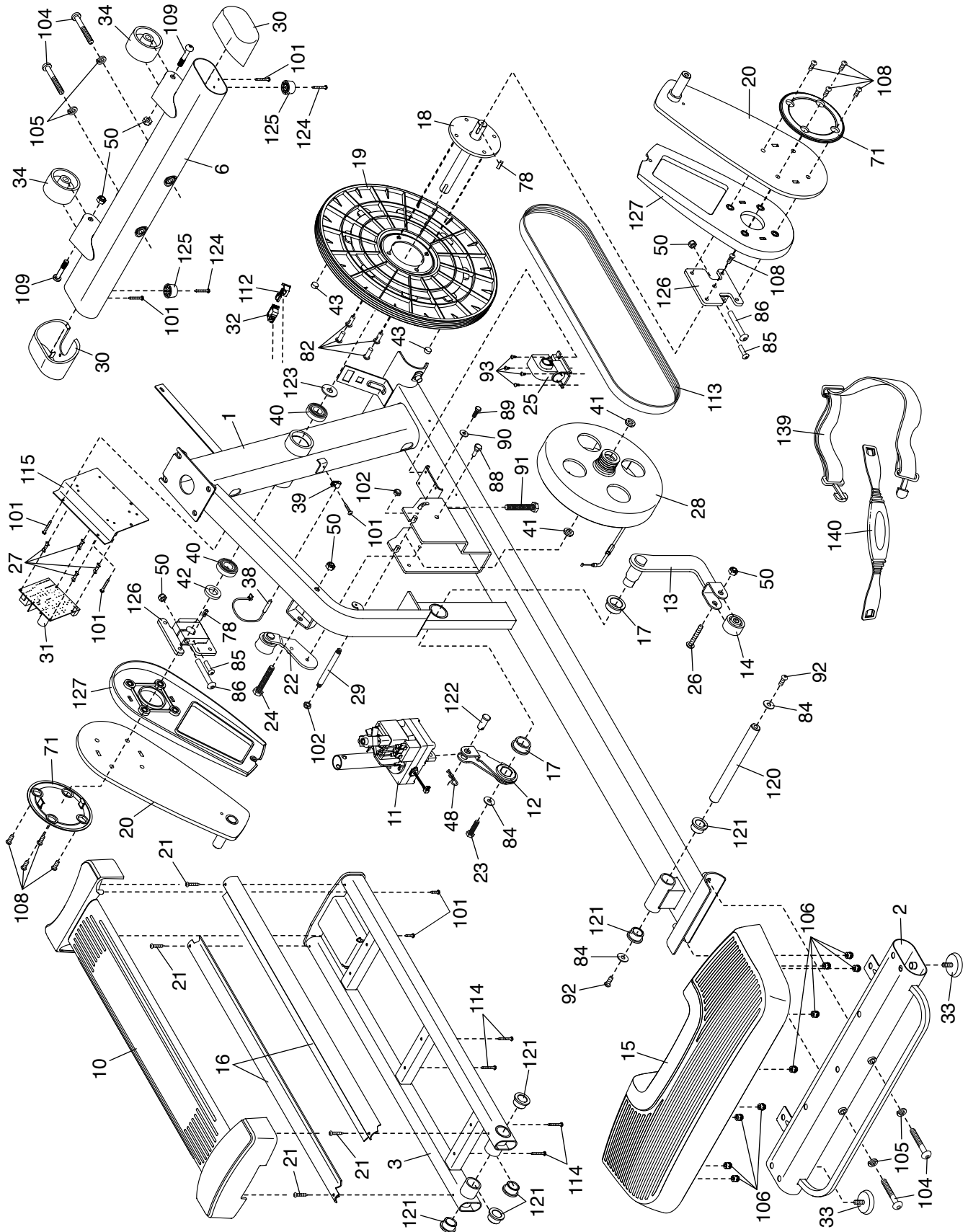


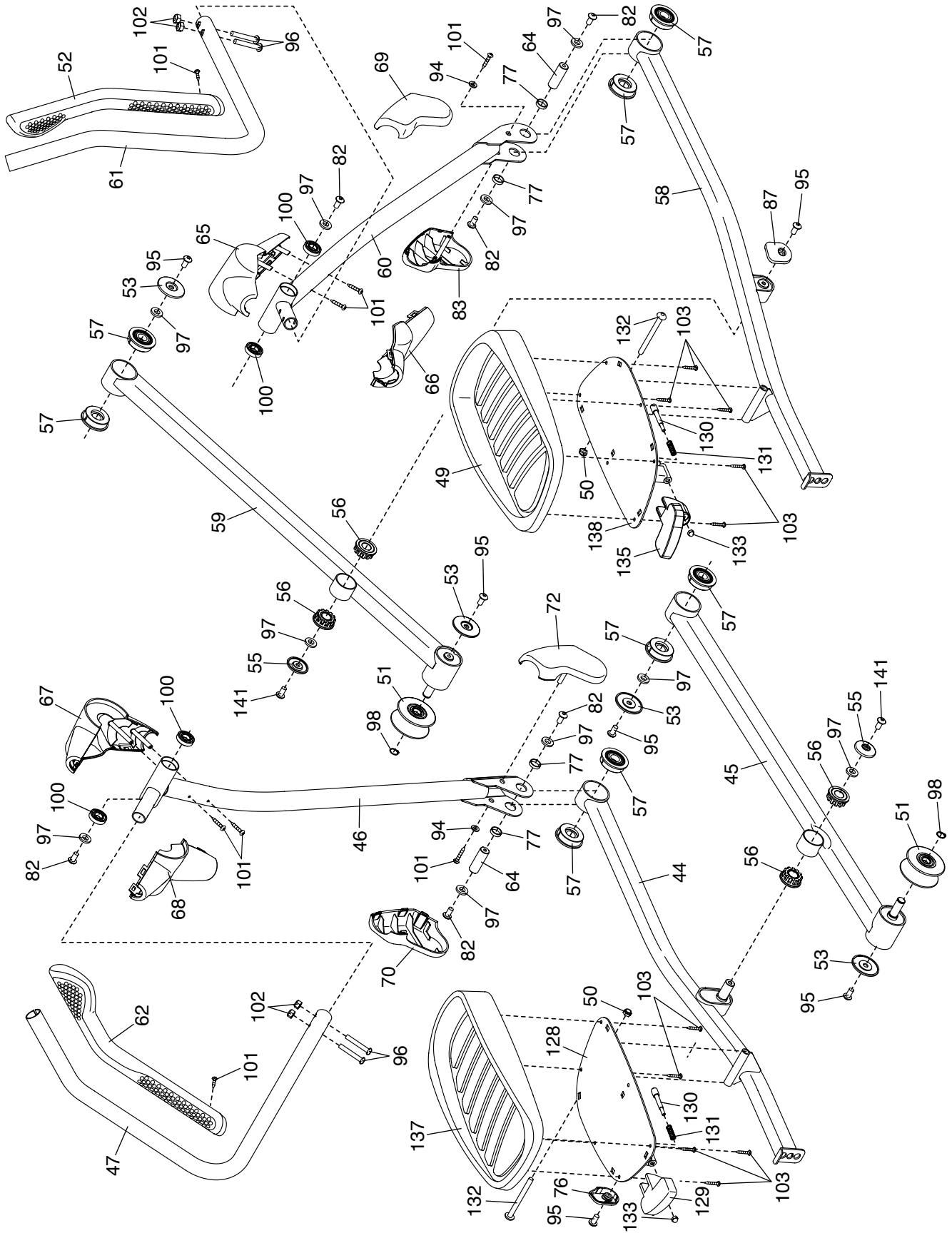
EXPLODED DRAWING A

Model No. SFEL59912.4 R0813A



EXPLODED DRAWING B

Model No. SFEL59912.4 R0813A



EXPLODED DRAWING C

Model No. SFEL59912.4 R0813A

