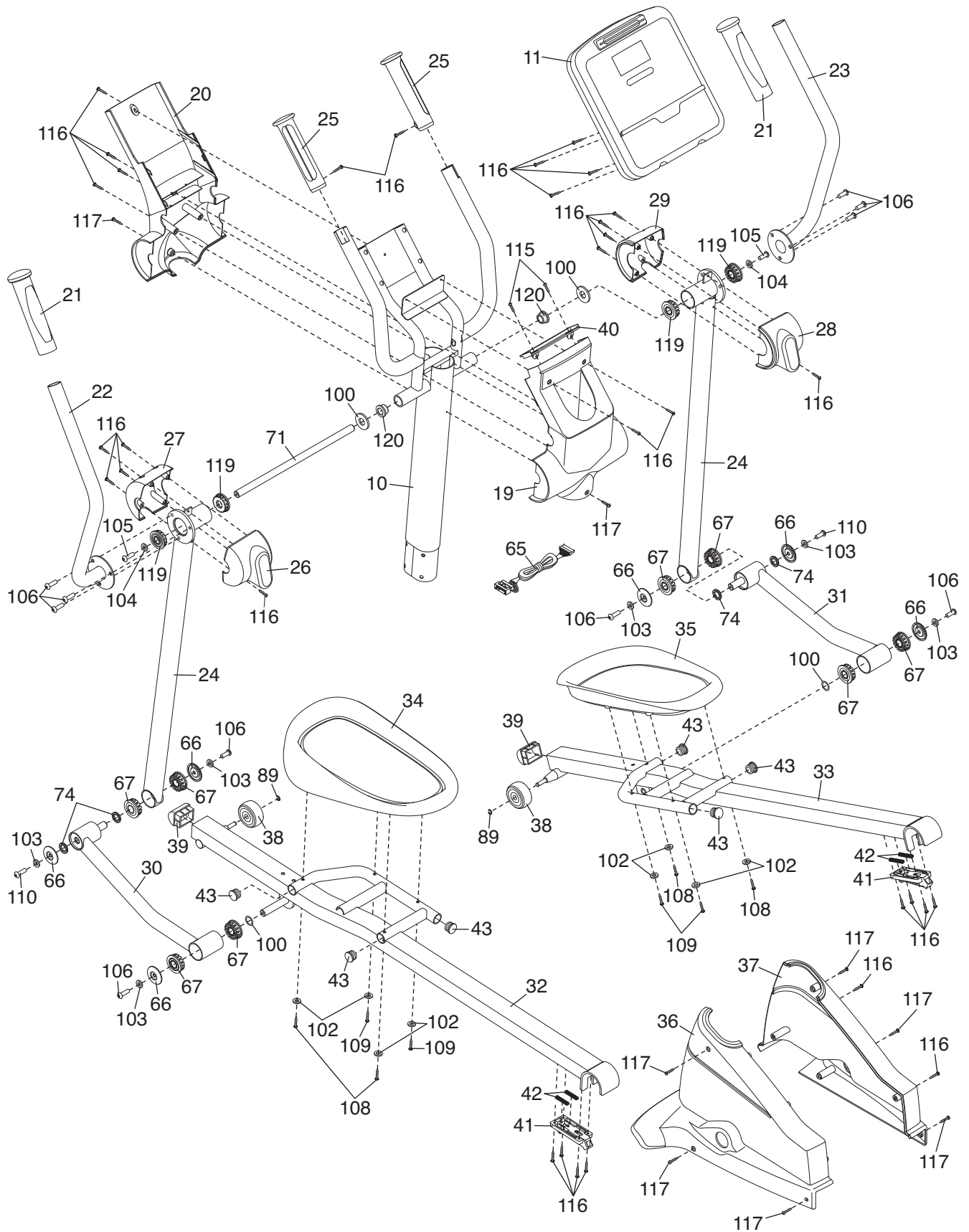


EXPLODED DRAWING A—Model No. SFEL91009.0

R1009A



EXPLODED DRAWING B—Model No. SFEL91009.0

R1009A

