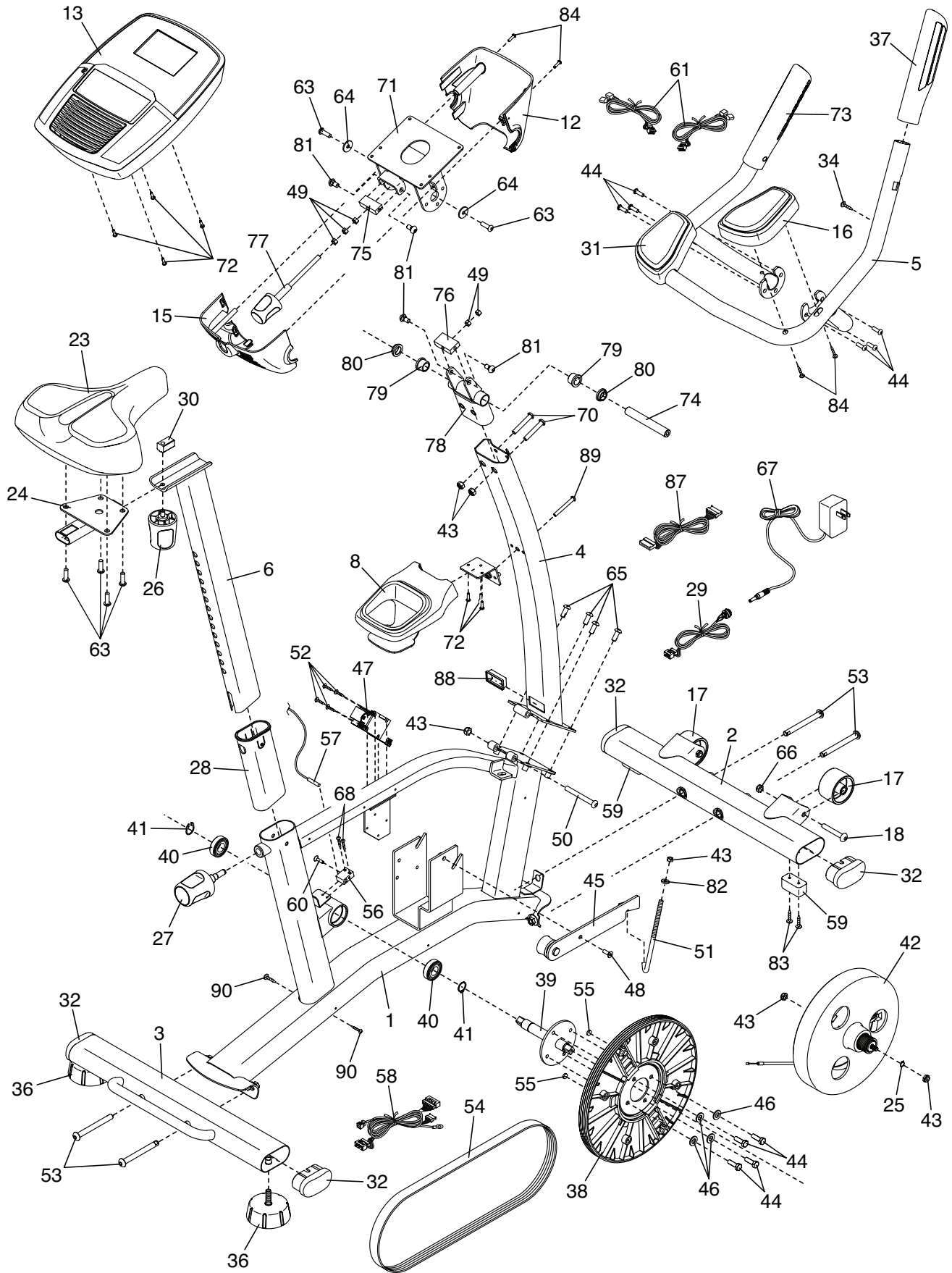


EXPLODED DRAWING A

Model No. SFEX04014.0 R0814A



EXPLODED DRAWING B

Model No. SFEX04014.0 R0814A

