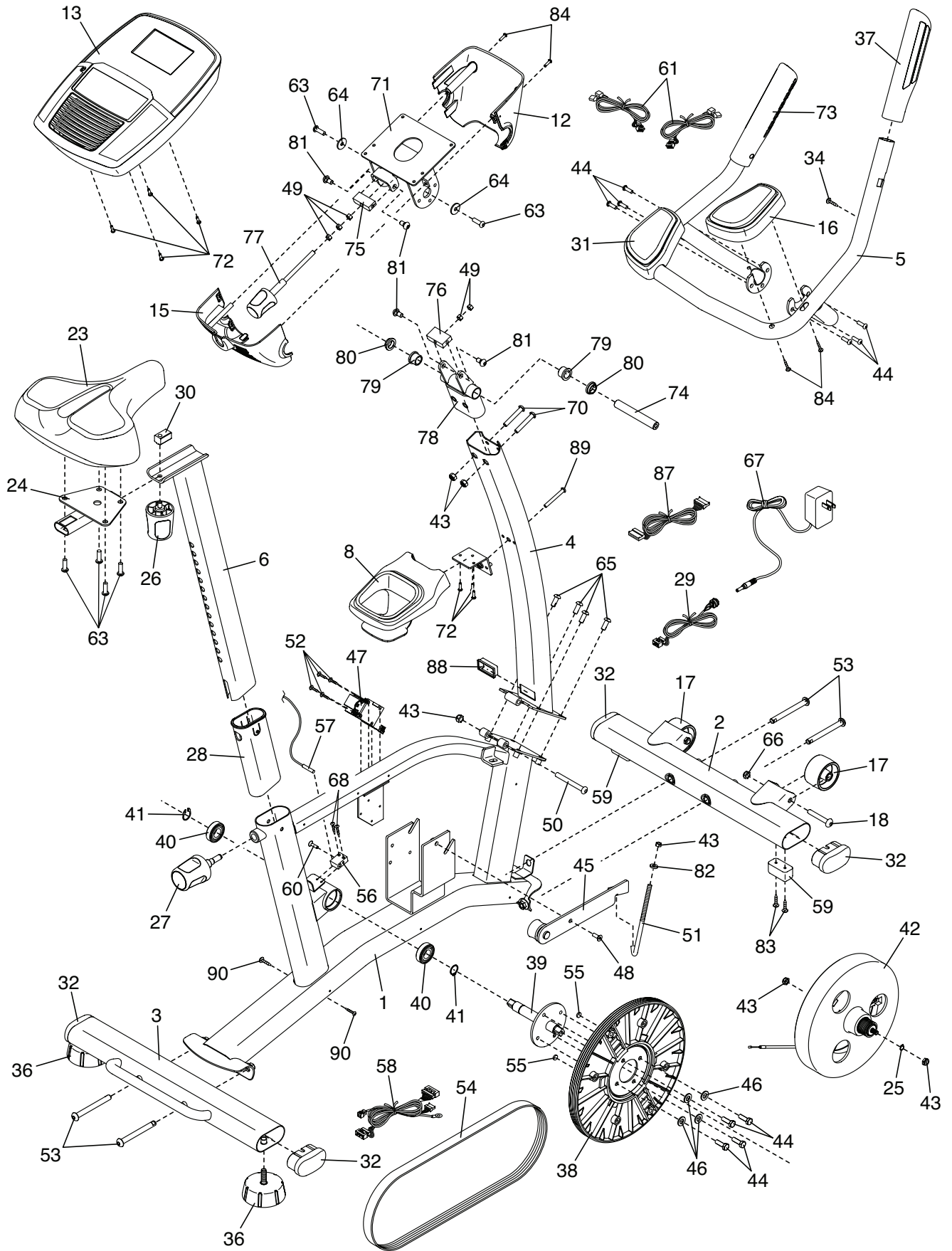


# EXPLODED DRAWING A

Model No. SFEX04014.1 R0814A



# EXPLODED DRAWING B

Model No. SFEX04014.1 R0814A

