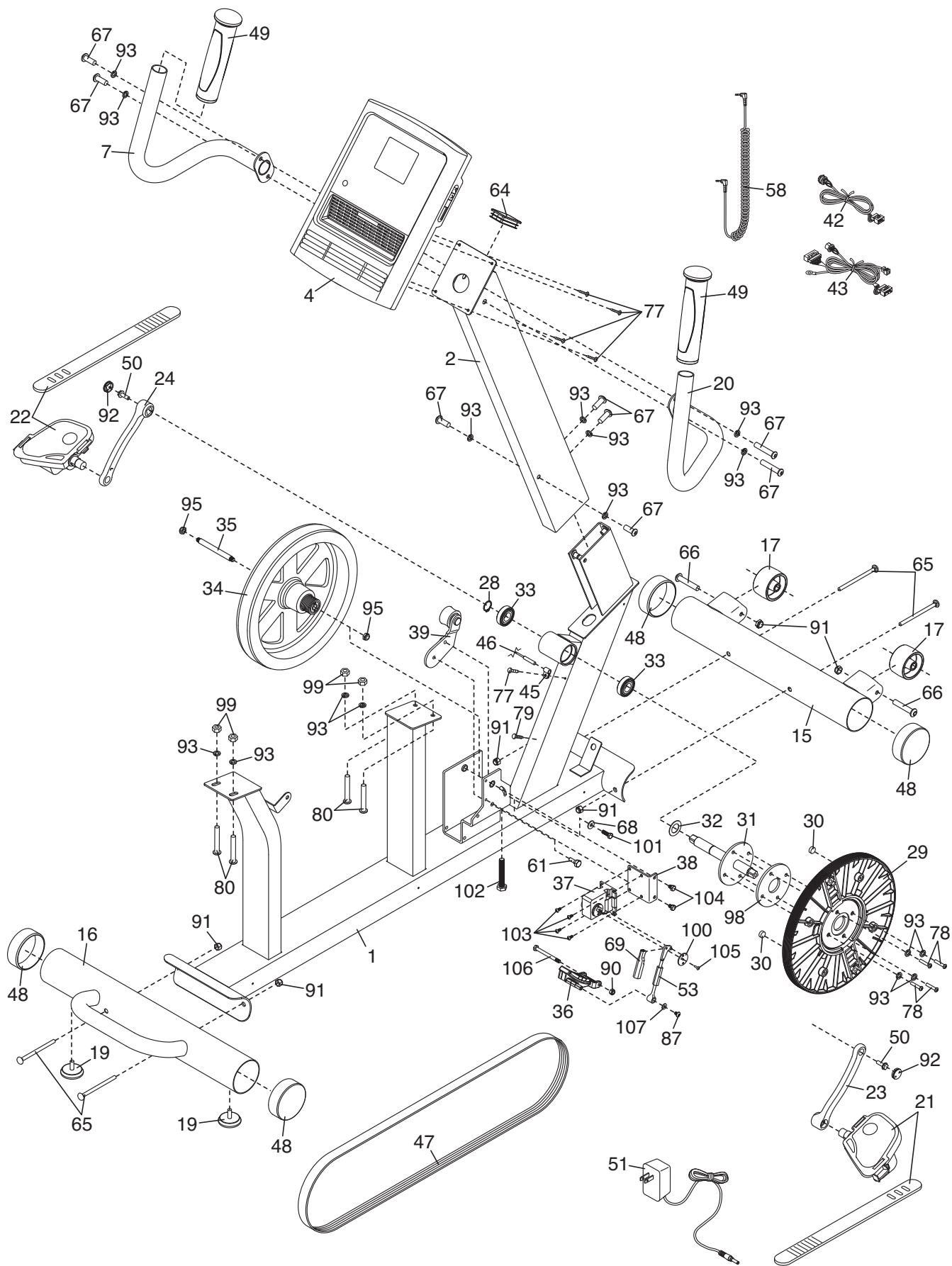


# EXPLODED DRAWING A—Model No. SFEX13809.0

R1013A



# EXPLODED DRAWING B—Model No. SFEX13809.0

R1013A

