

PART LIST—Model No. SFEX80907.0

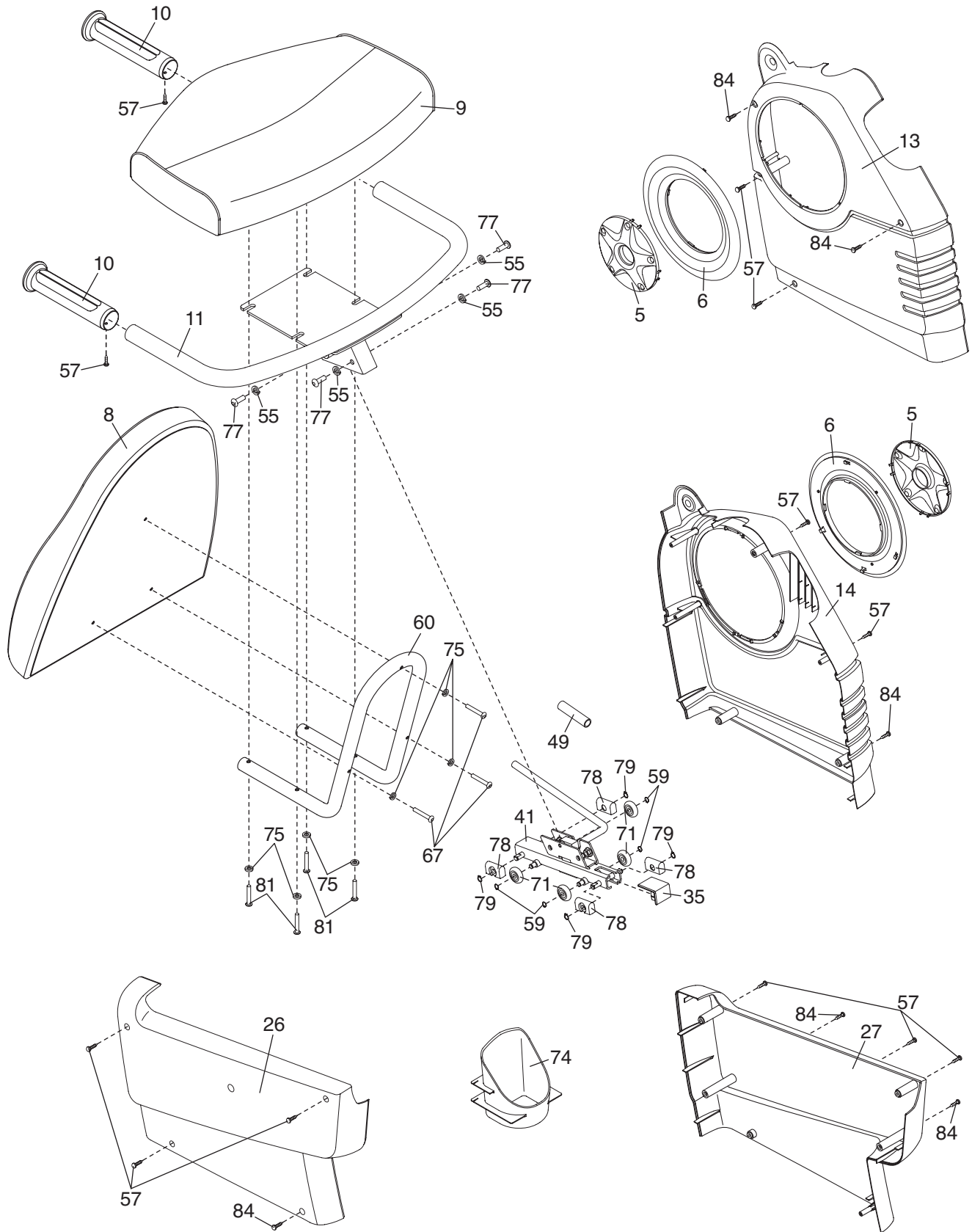
R1007A

Key No.	Qty.	Description	Key No.	Qty.	Description
1	1	Frame	45	1	Clamp
2	1	Upright	46	1	Reed Switch/Wire
3	1	Eddy Mechanism	47	1	Drive Belt
4	1	Console	48	2	Rear Stabilizer Endcap
5	2	Crank Cover	49	1	Foam Grip
6	2	Accent Ring	50	2	Flange Screw
7	1	Upright Knob	51	1	Pulse Wire
8	1	Backrest	52	4	M8 x 50mm Button Screw
9	1	Seat	53	1	Pillow Block
10	2	Pulse Sensor	54	6	M8 x 16mm Button Screw
11	1	Seat Bracket	55	14	M8 Split Washer
12	2	Hand Grip	56	1	Seat Rail Endcap
13	1	Left Front Side Shield	57	18	M4 x 16mm Screw
14	1	Right Front Side Shield	58	2	M8 Jamnut
15	1	Left Front Stabilizer	59	4	Small Snap Ring
16	1	Rear Stabilizer	60	1	Backrest Frame
17	2	Wheel	61	1	Upright Cover
18	1	Top Handlebar Cover	62	1	M10 x 63mm Bolt Set
19	2	Leveling Foot	63	4	Wheel Bushing
20	2	Upright Bushing	64	1	M4 x 12mm Bright Screw
21	1	Right Pedal/Strap	65	1	Stop Block
22	1	Left Pedal/Strap	66	2	Front Stabilizer Endcap
23	1	Right Crank Arm	67	3	M6 x 38mm Button Screw
24	1	Left Crank Arm	68	1	Rail
25	1	Bottom Handlebar Cover	69	2	Wheel Bolt
26	1	Left Side Shield	70	3	M6 x 50mm Bolt
27	1	Right Side Shield	71	4	Seat Carriage Wheel
28	1	Large Snap Ring	72	11	M6 Nylon Locknut
29	1	Pulley	73	4	M6 x 20mm Button Bolt
30	1	Magnet	74	1	Water Bottle Holder
31	1	Crank	75	7	M6 Washer
32	1	Steel Washer	76	4	M5 x 16mm Button Screw
33	2	Crank Bearing	77	4	M8 x 19mm Button Screw
34	1	Eddy Axle Assembly	78	4	Seat Carriage Block
35	1	Rail Cap	79	4	Block Snap Ring
36	1	Power Jack Bracket	80	6	M4 x 16mm Round Head Screw
37	4	M6 x 30mm Button Screw	81	4	M6 x 42mm Button Screw
38	1	Resistance Motor	82	2	Crank Cover
39	1	Handlebar	83	1	Frame Endcap
40	1	Right Front Stabilizer	84	8	M4 x 19mm Screw
41	1	Seat Carriage	85	1	Pulse Extension Wire
42	1	M4 x 12mm Screw	*	—	Hex Key
43	1	Wire Harness	*	—	User's Manual
44	4	M6 Split Washer			

Note: Specifications are subject to change without notice. See the back cover of this manual for information about ordering replacement parts. *These parts are not illustrated.

EXPLODED DRAWING A—Model No. SFEX80907.0

R1007A



EXPLODED DRAWING B—Model No. SFEX80907.0

R1007A

