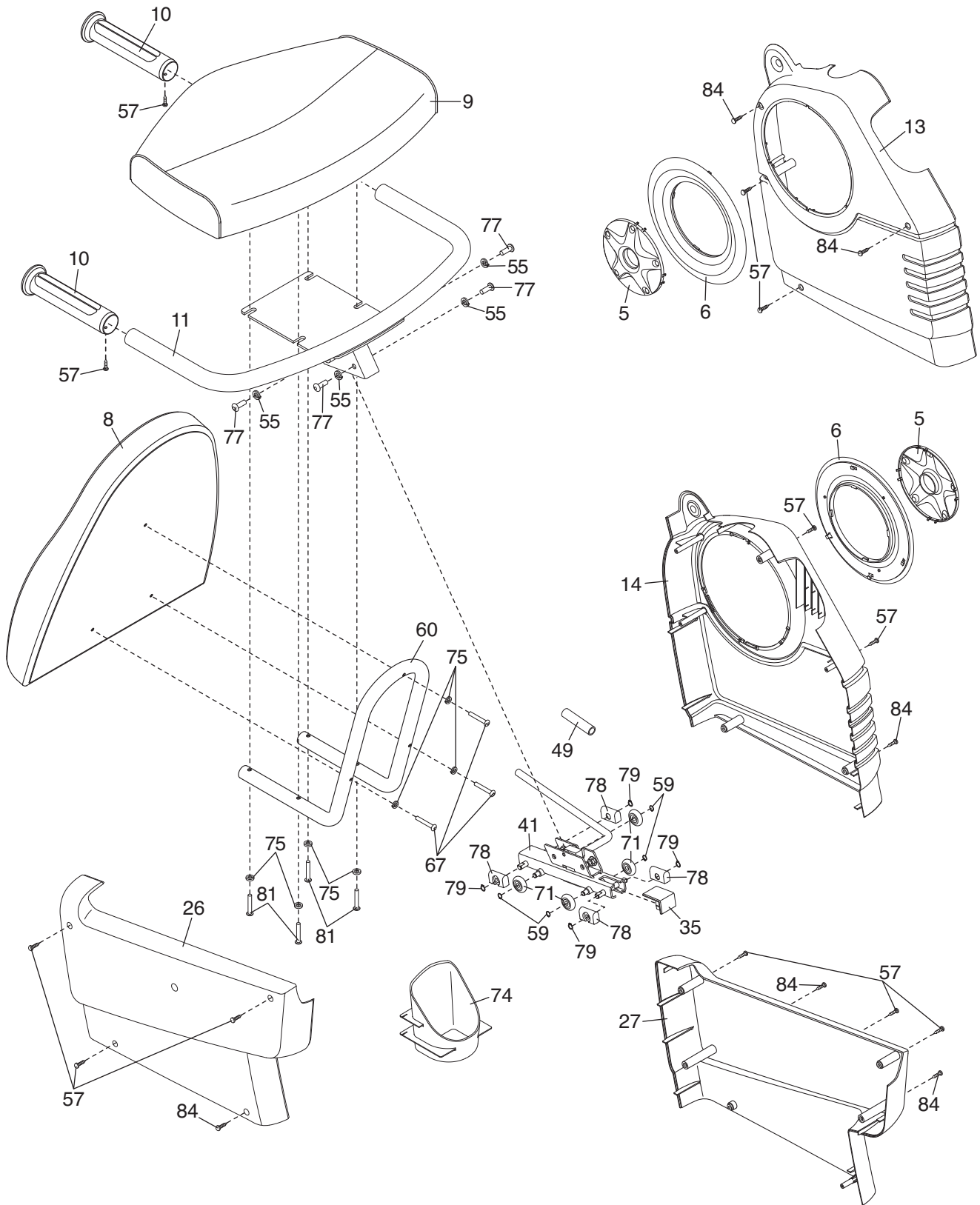


EXPLODED DRAWING A—Model No. SFEX80907.1

R1208A



EXPLODED DRAWING B—Model No. SFEX80907.1

R1208A

