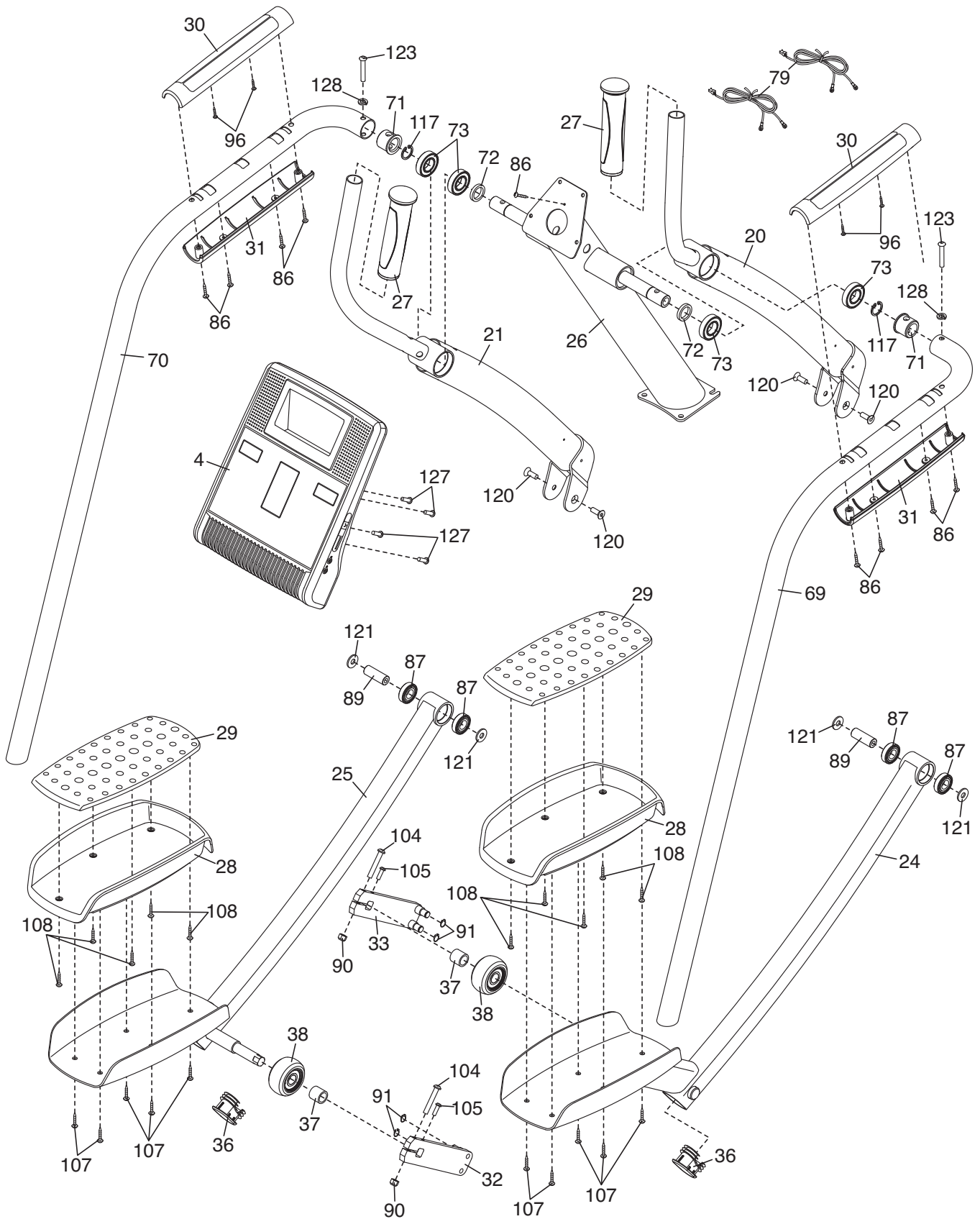


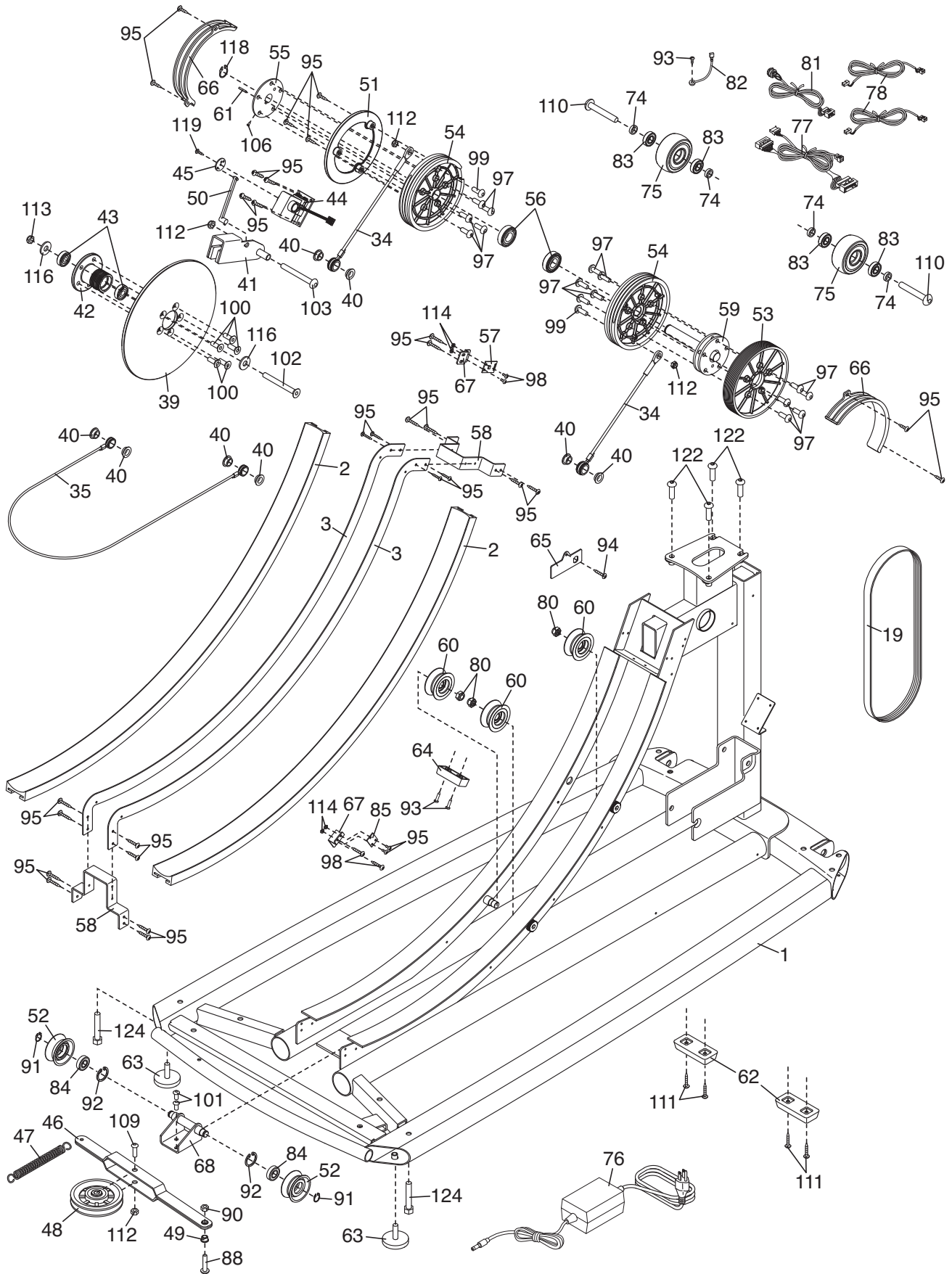
EXPLODED DRAWING A—Model No. SFSR11209.0

R0509A



EXPLODED DRAWING B—Model No. SF5R11209.0

R0509A



EXPLODED DRAWING C—Model No. SF5R11209.0

R0509A

