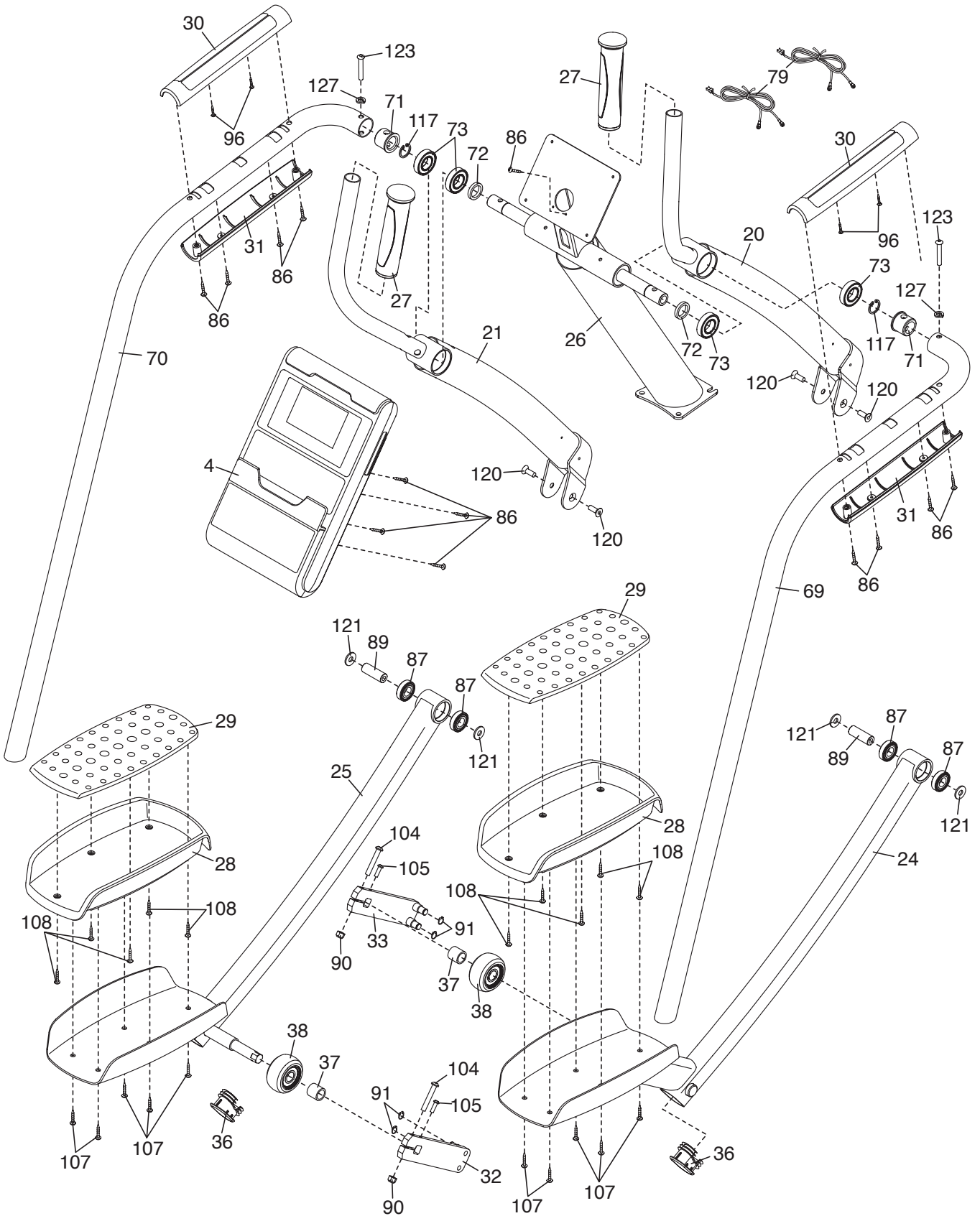


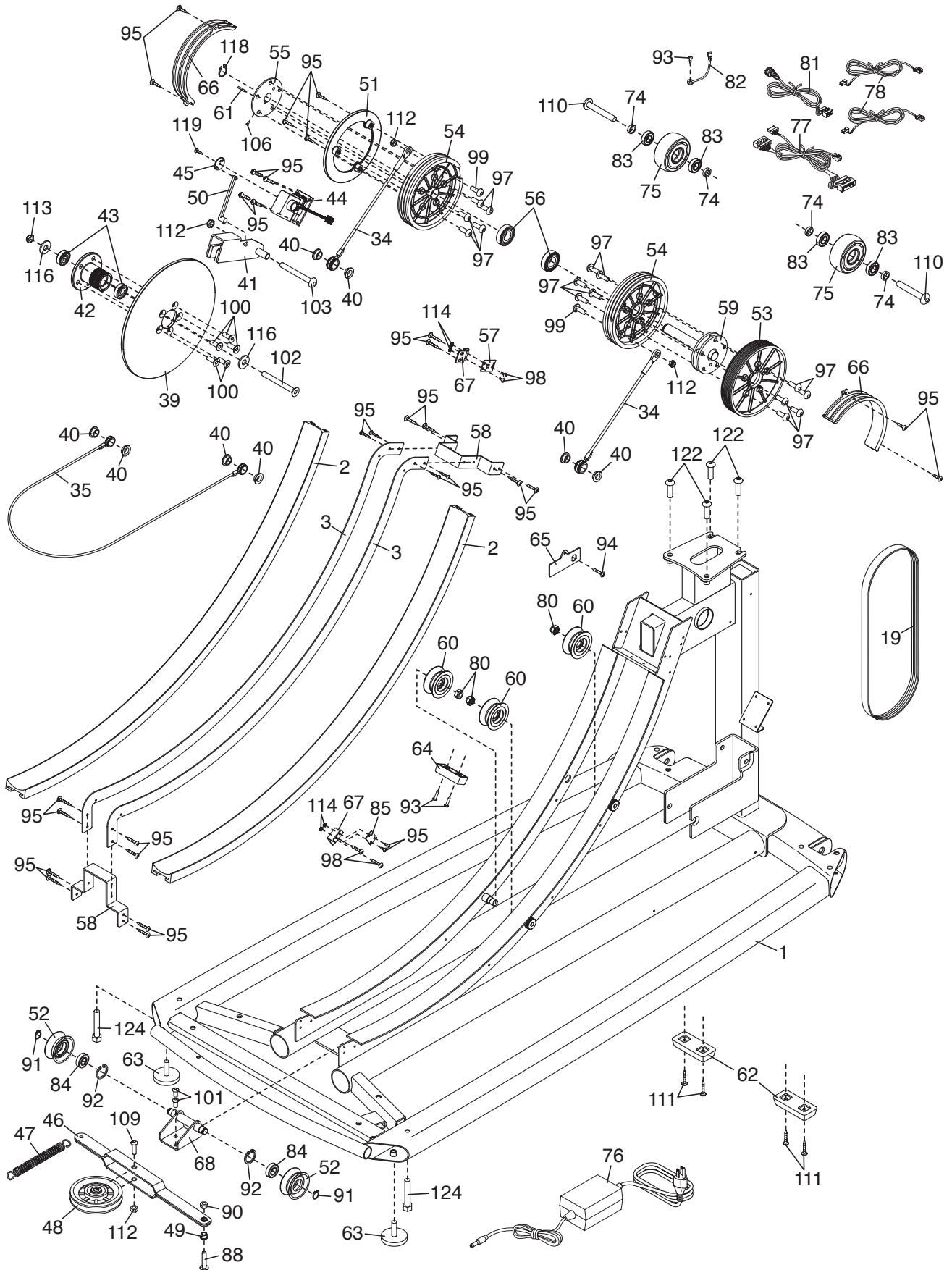
EXPLODED DRAWING A

Model No. SFSR71709.2 R0712A



EXPLODED DRAWING B

Model No. SF5R71709.2 R0712A



EXPLODED DRAWING C

Model No. SFSR71709.2 R0712A

