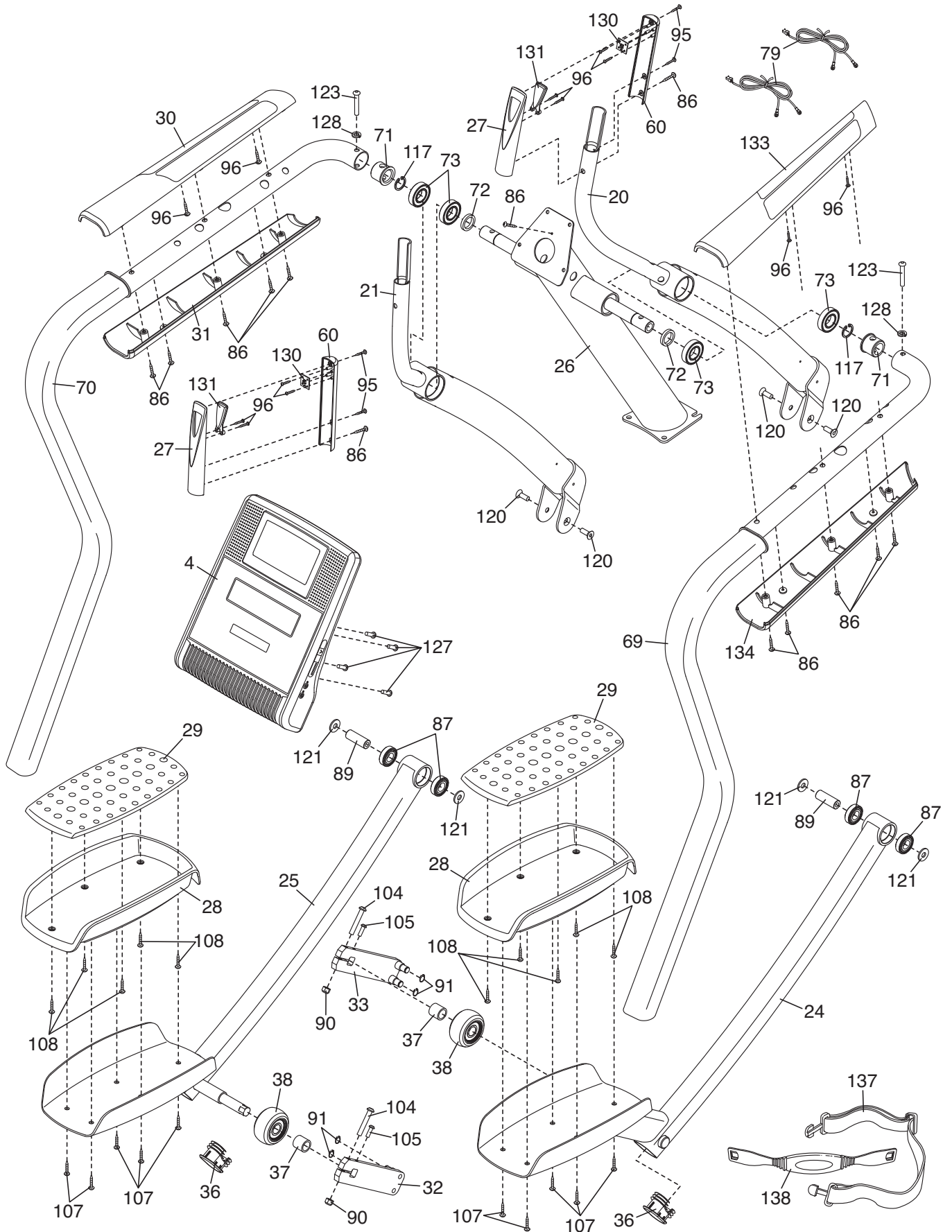


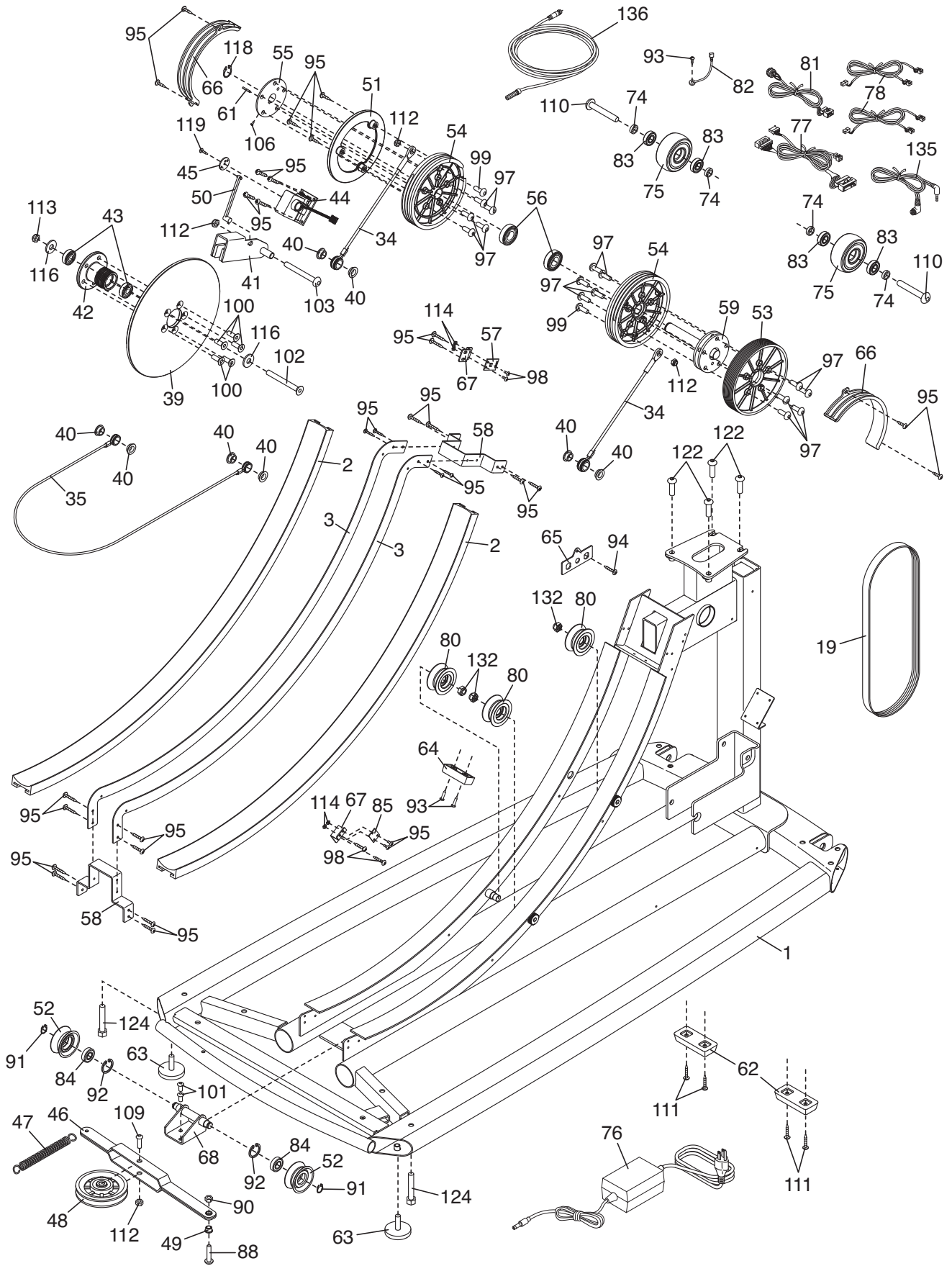
# EXPLODED DRAWING A

Model No. SF5R82308.2 R0311A



# EXPLODED DRAWING B

Model No. SF8R82308.2 R0311A



# EXPLODED DRAWING C

Model No. SF8R82308.2 R0311A

