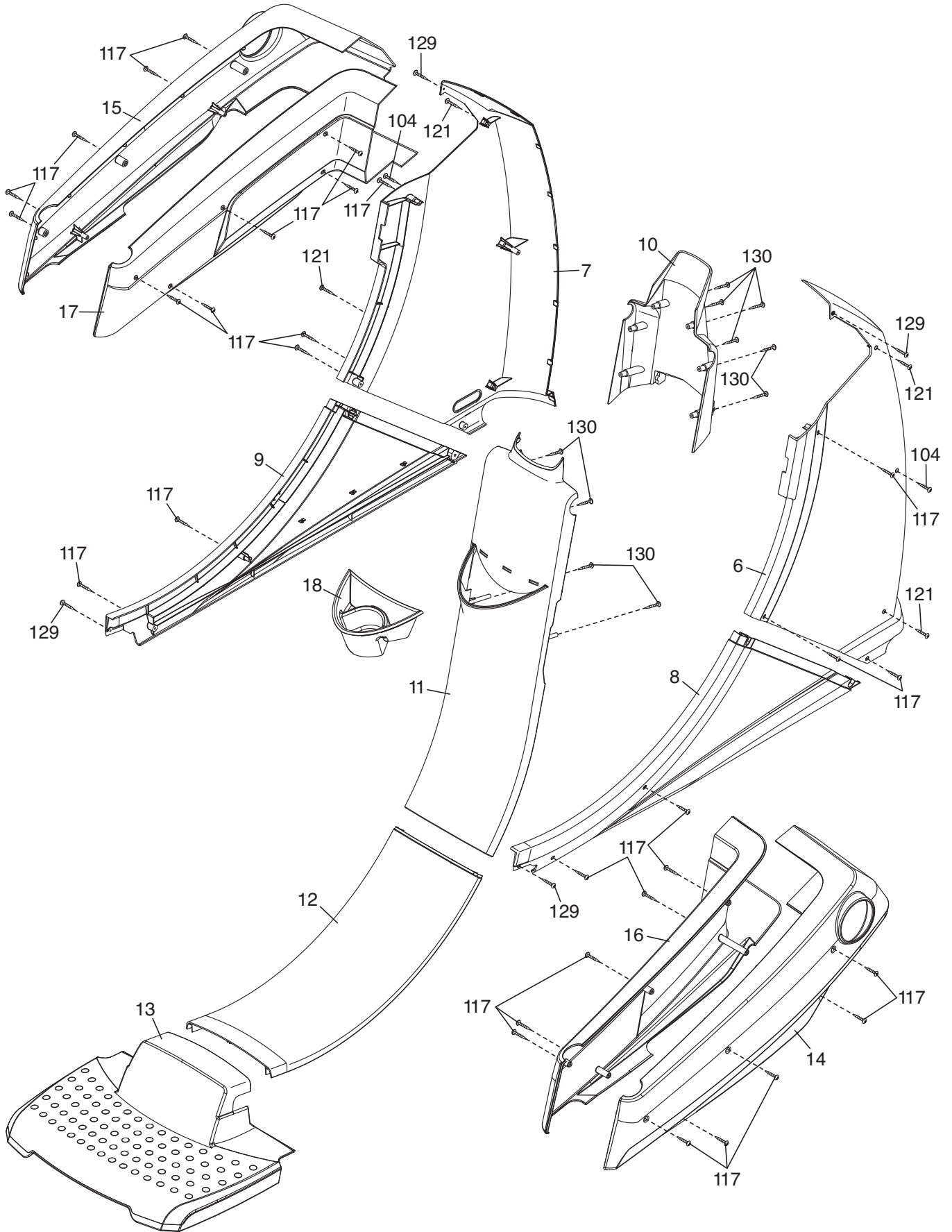


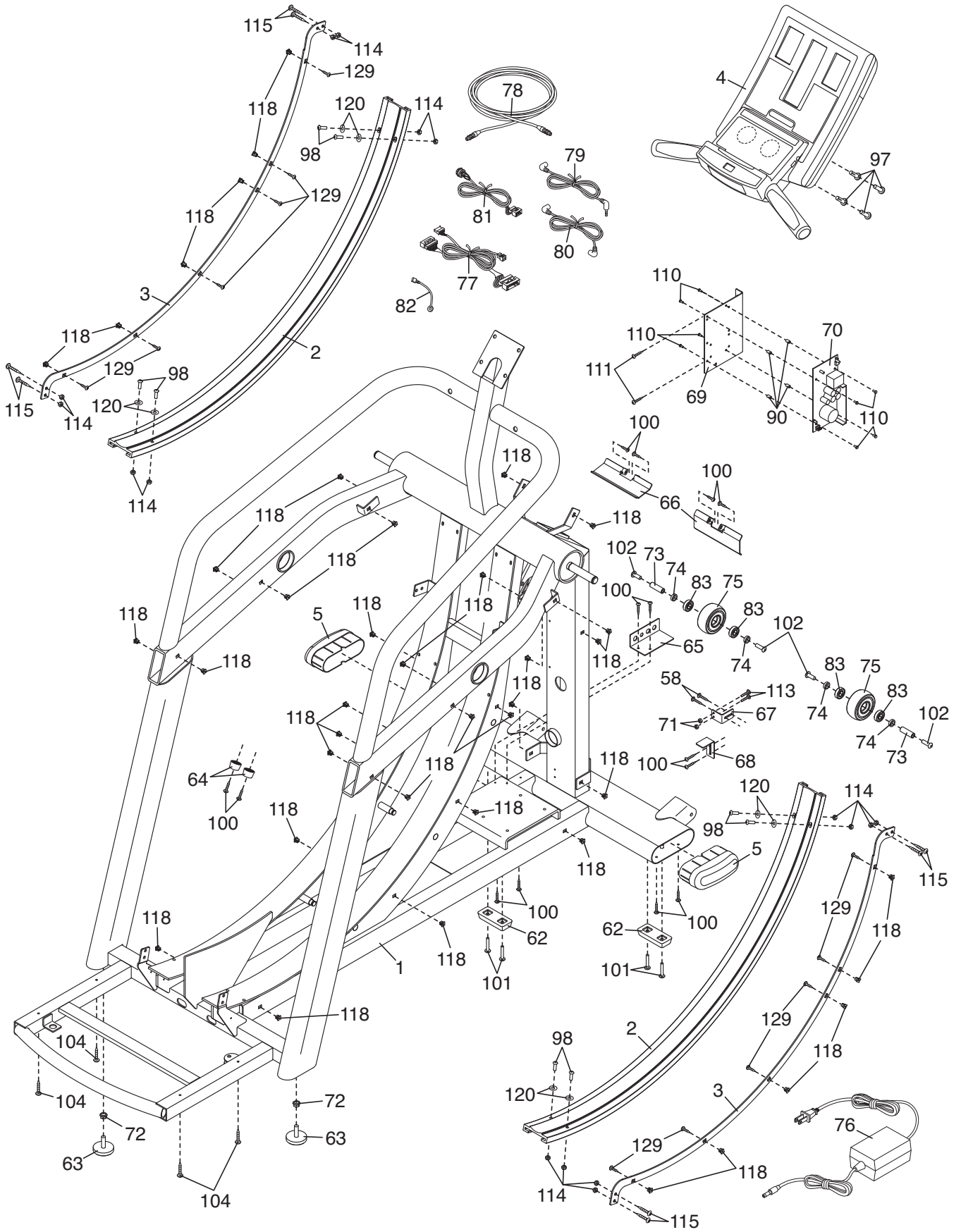
# EXPLODED DRAWING A—SFSR84407.0

R1209A



# EXPLODED DRAWING B—SF5R84407.0

R1209A



# EXPLODED DRAWING C—SFSR84407.0

R1209A

