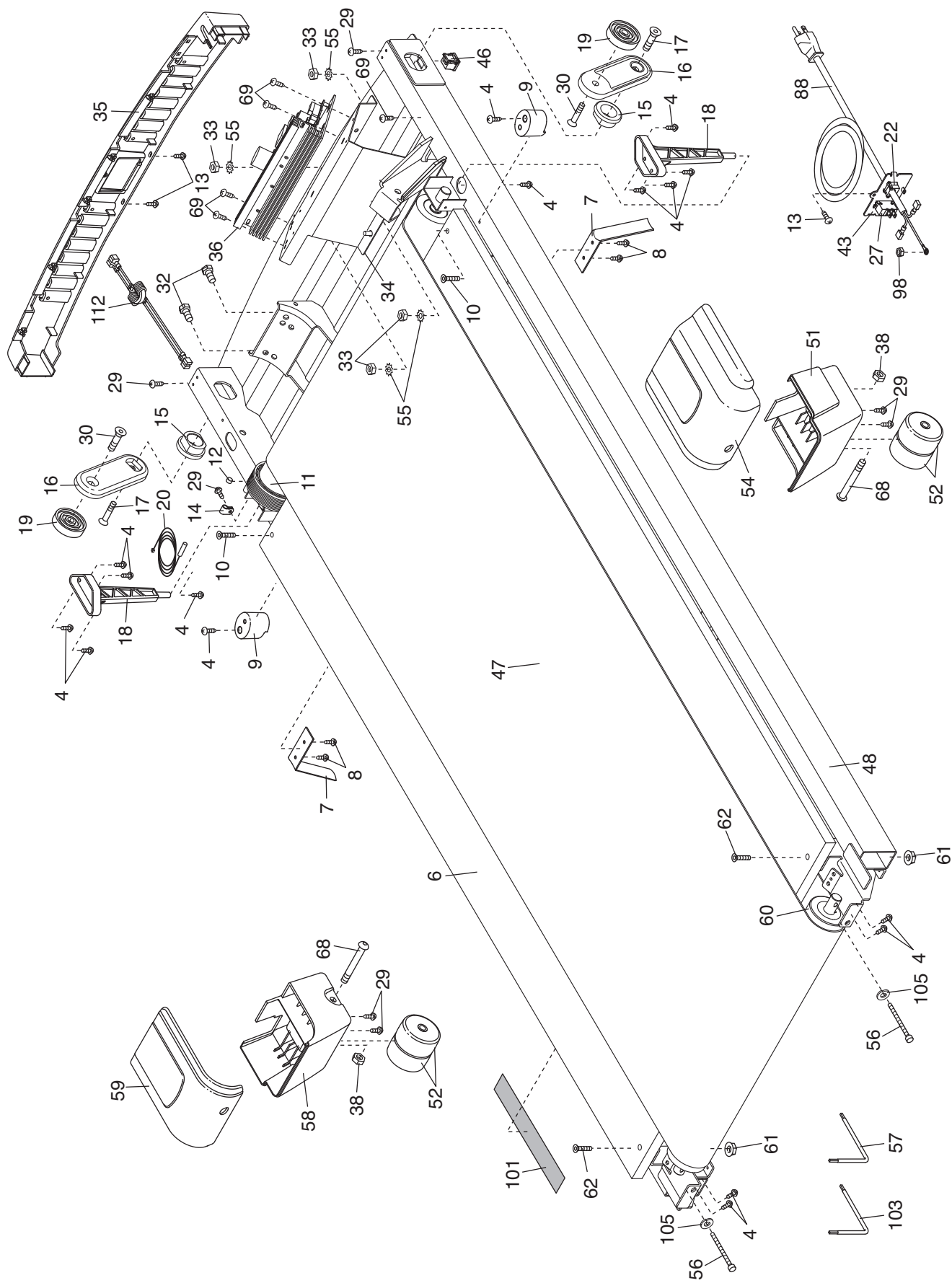


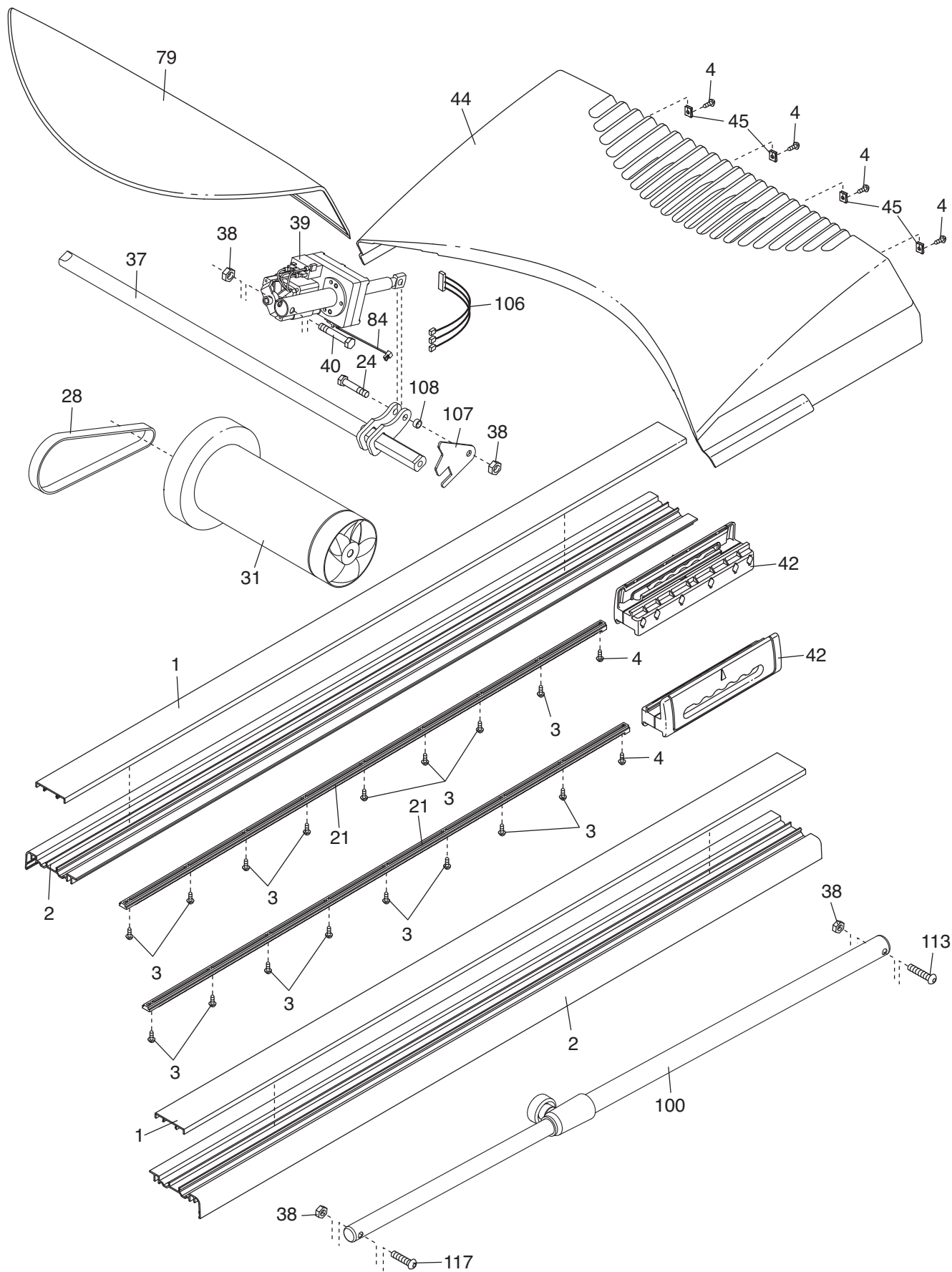
EXPLODED DRAWING A—Model No. SFTL13010.0

R0610A



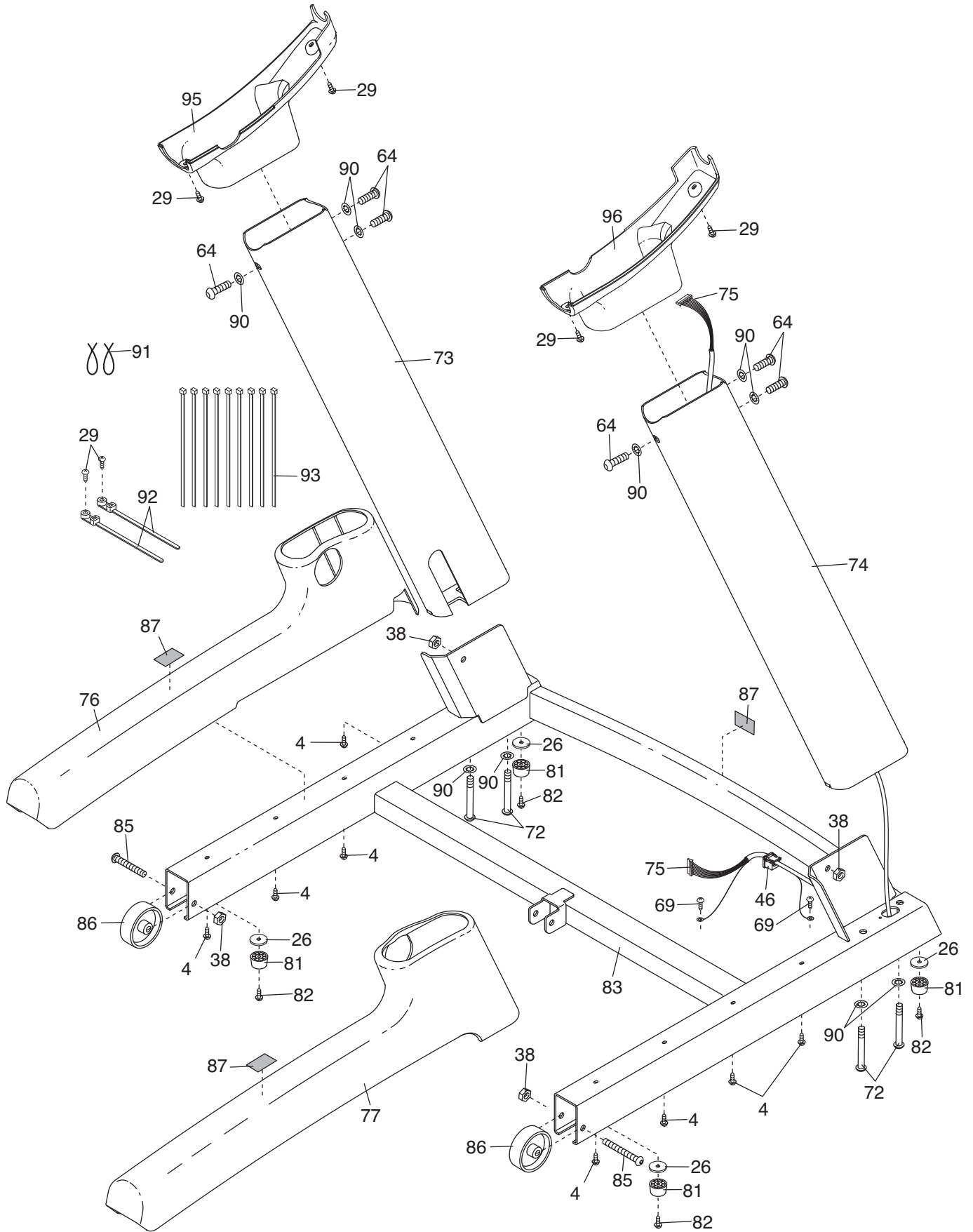
EXPLODED DRAWING B—Model No. SFTL13010.0

R0610A



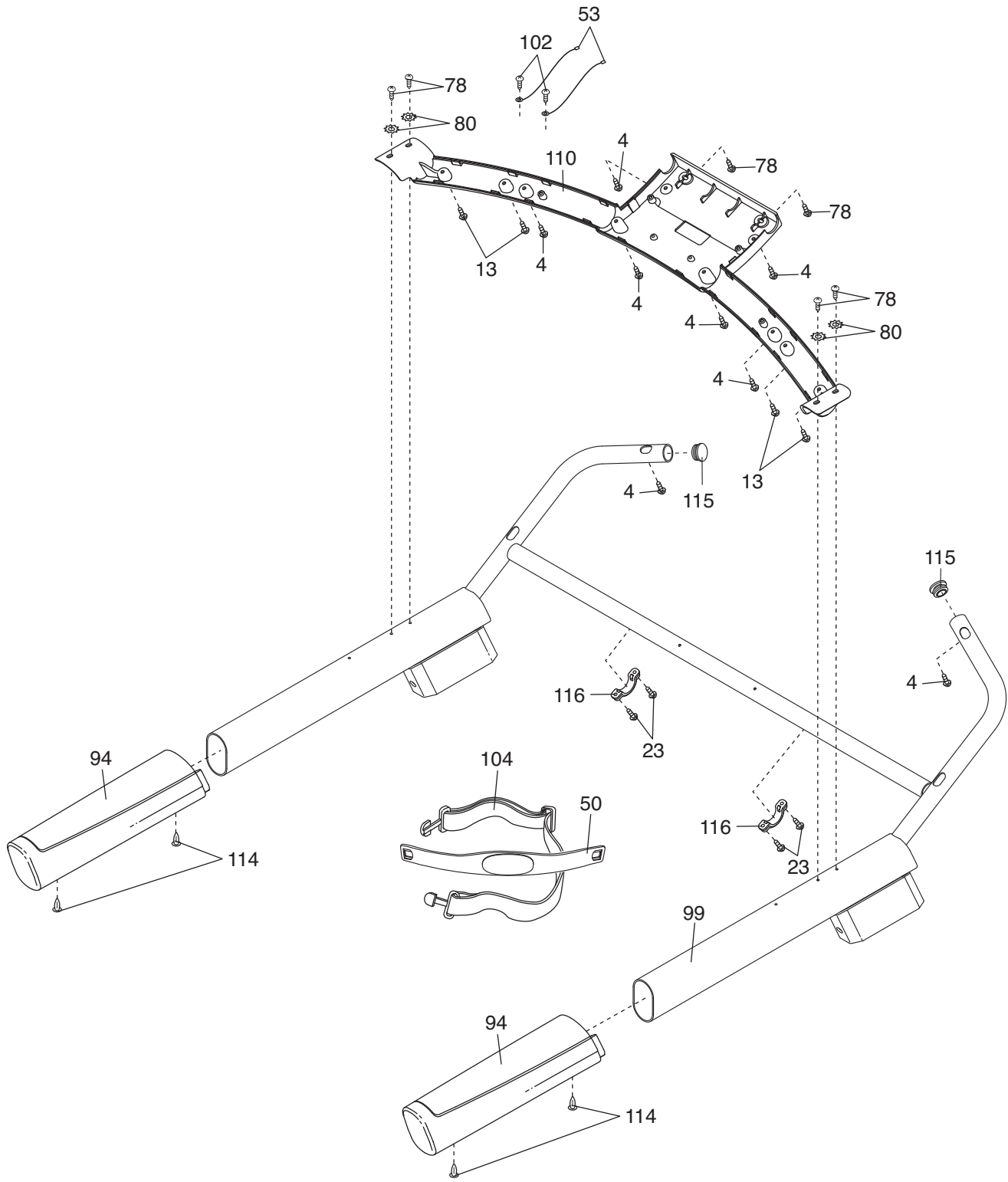
EXPLODED DRAWING C—Model No. SFTL13010.0

R0610A



EXPLODED DRAWING D—Model No. SFTL13010.0

R0610A



EXPLODED DRAWING E—Model No. SFTL13010.0

R0610A

