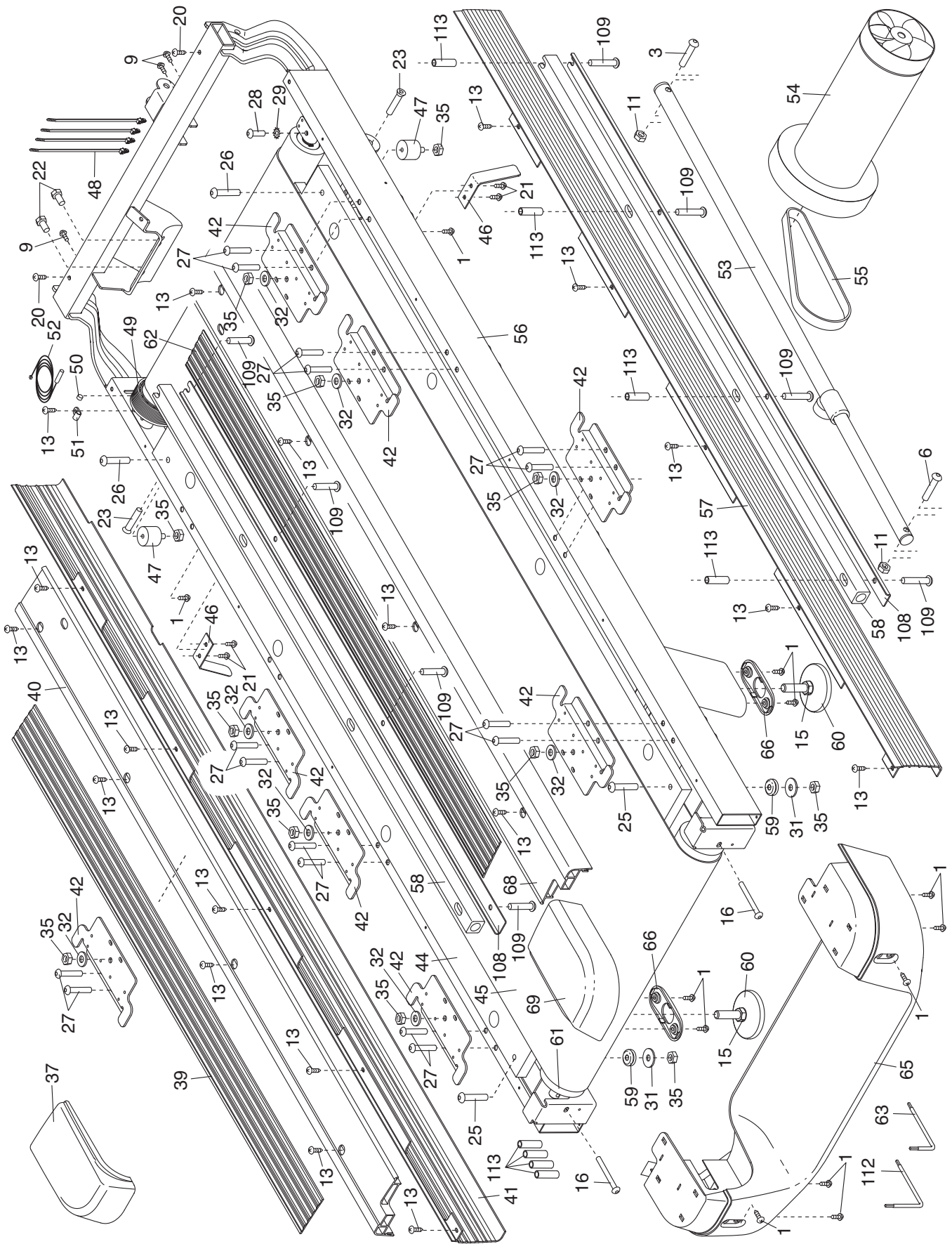


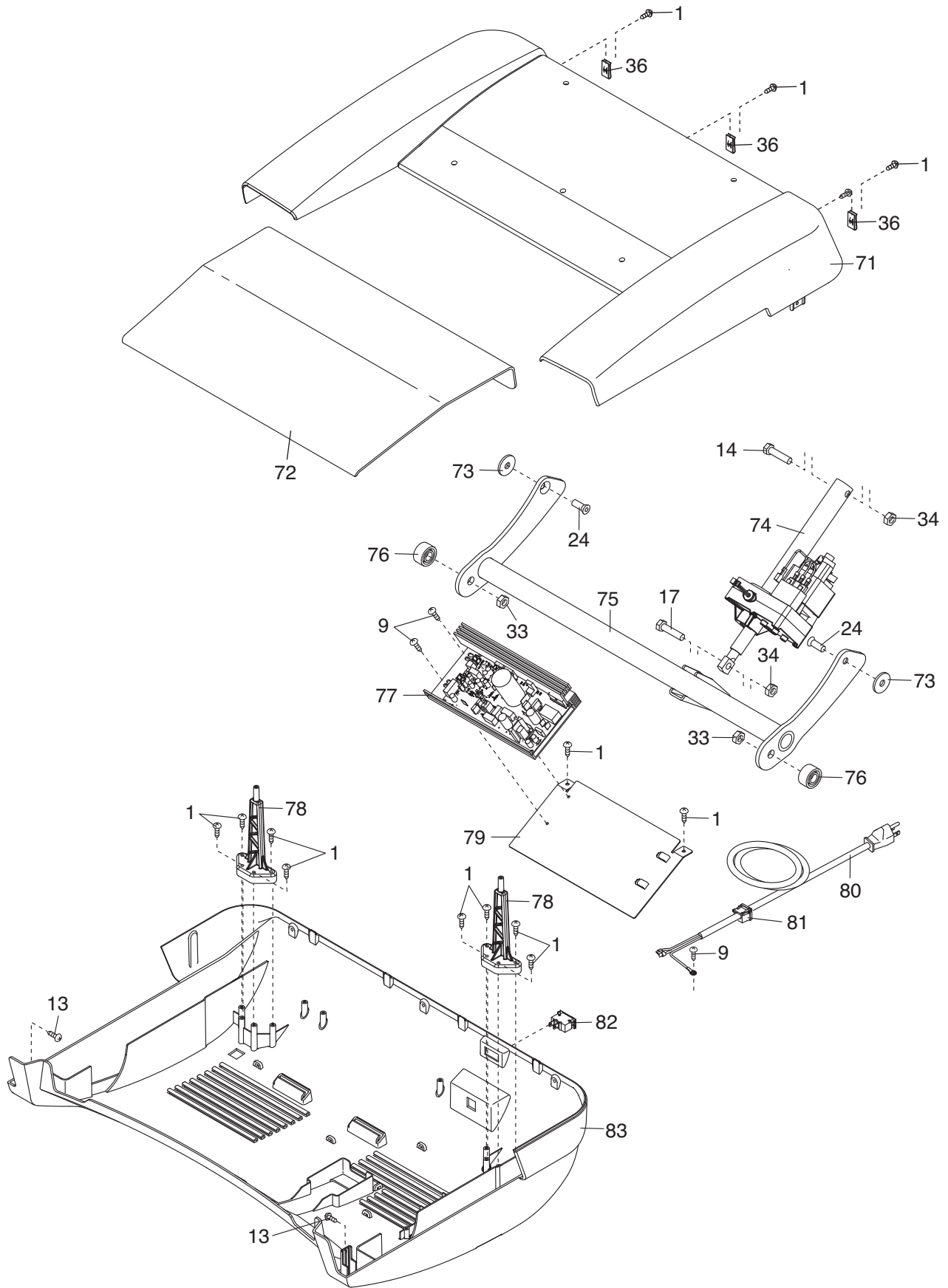
# EXPLODED DRAWING A

Model No. SFTL15510.1 R0411A



# EXPLODED DRAWING B

Model No. SFTL15510.1 R0411A





# EXPLODED DRAWING D

Model No. SFTL15510.1 R0411A

