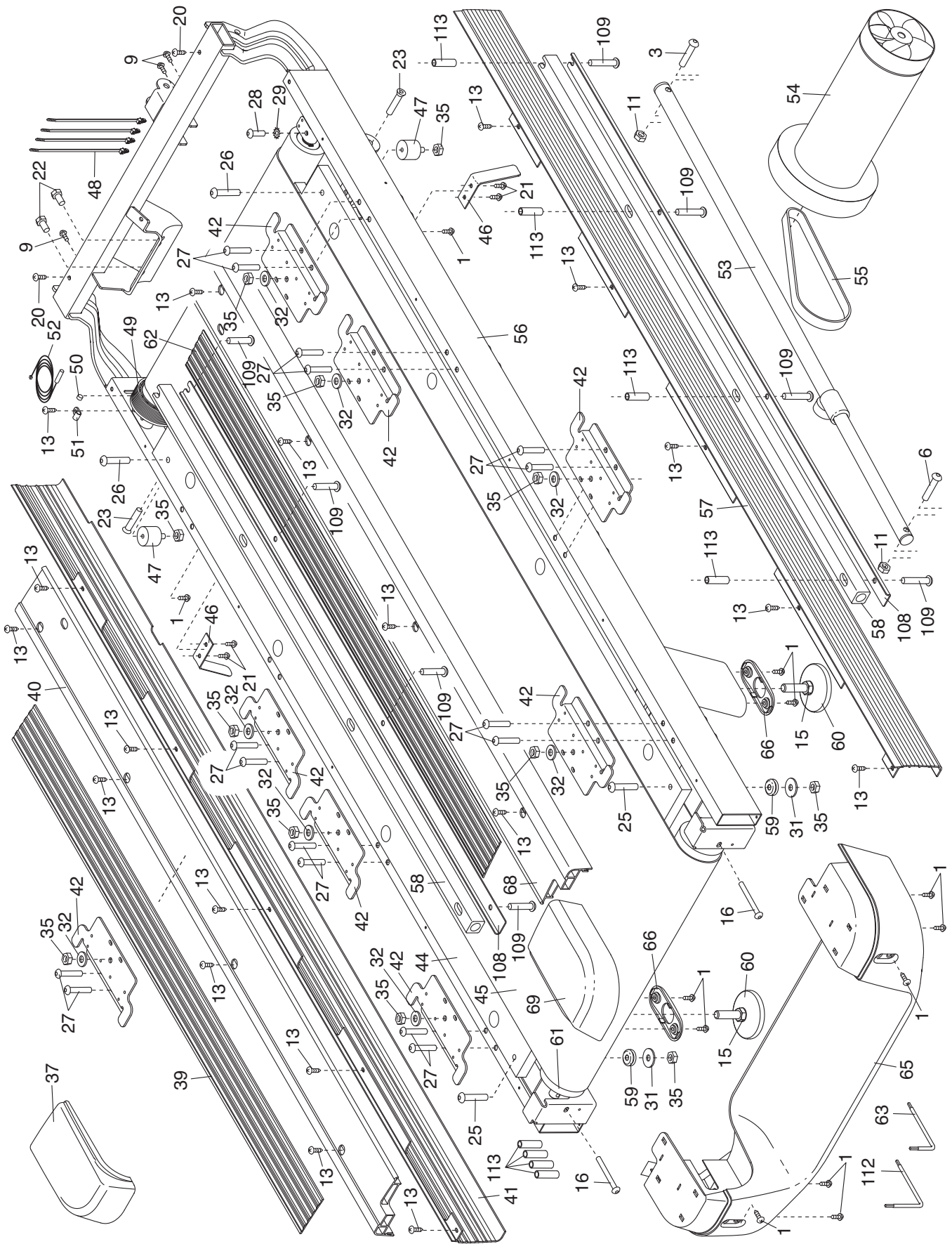


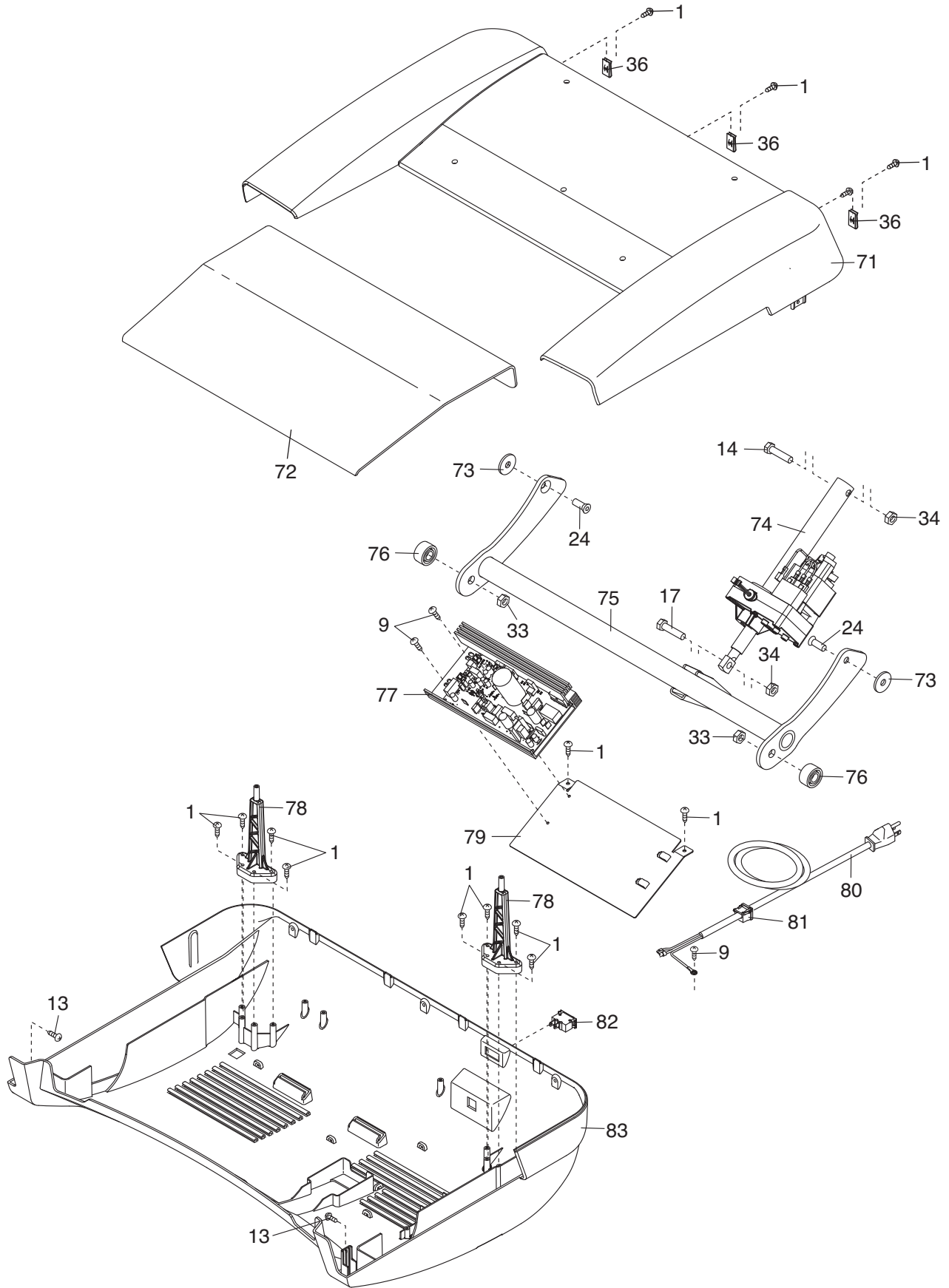
EXPLODED DRAWING A

Model No. SFTL15510.2 R0312A



EXPLODED DRAWING B

Model No. SFTL15510.2 R0312A



EXPLODED DRAWING D

Model No. SFTL15510.2 R0312A

