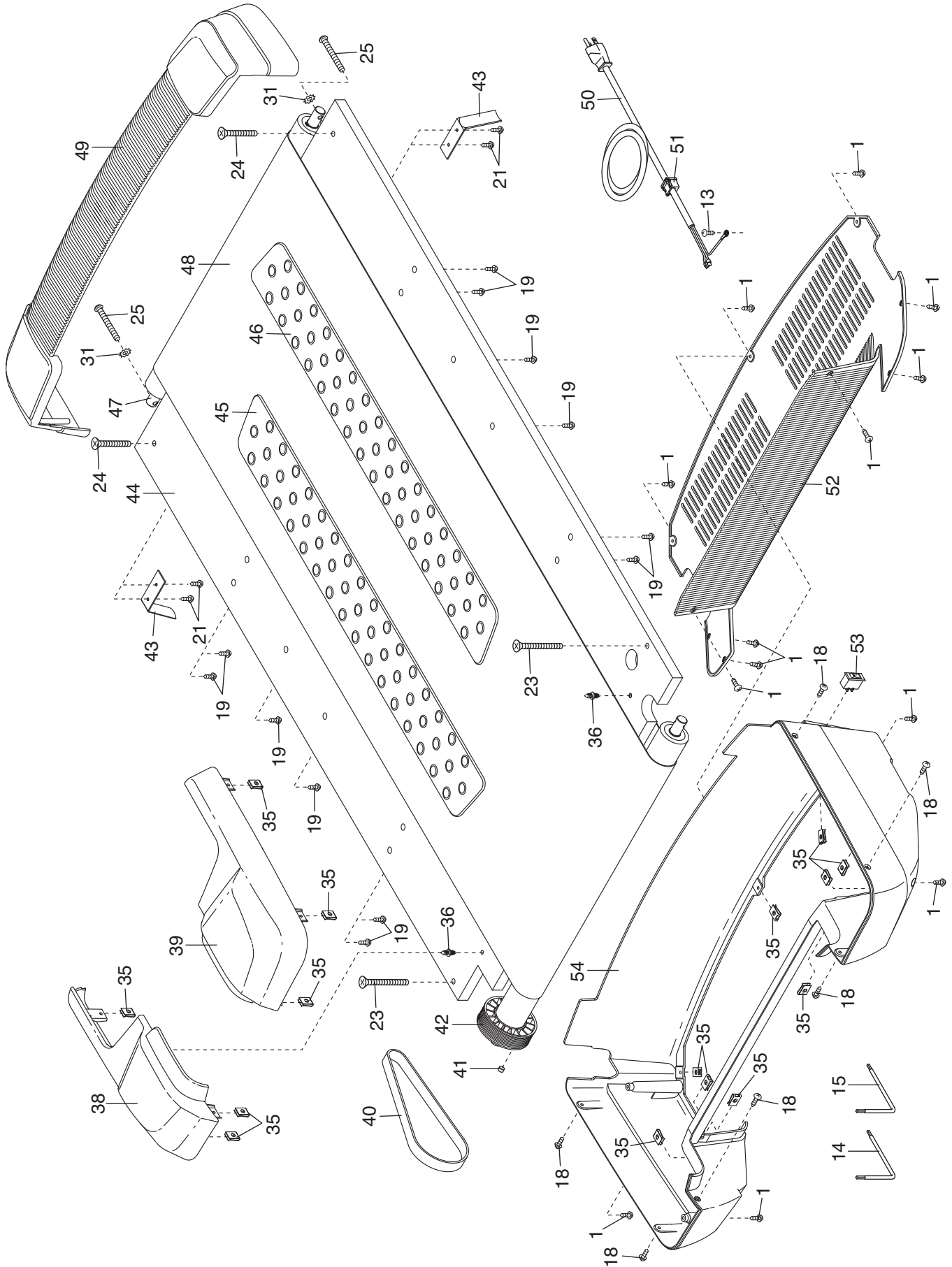


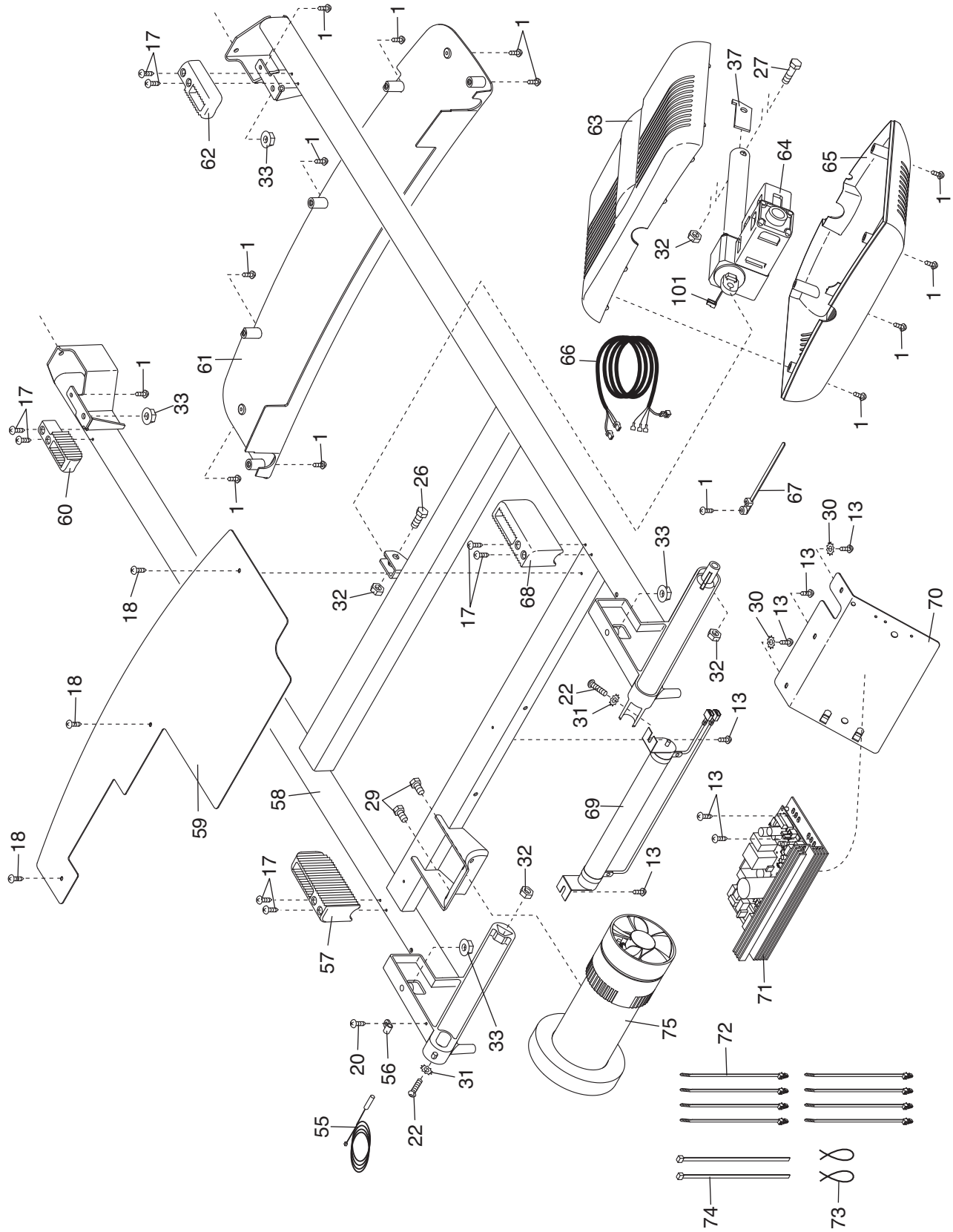
EXPLODED DRAWING A—Model No. SFTL15619.0

R1109B



EXPLODED DRAWING B—Model No. SFTL15619.0

R1109B



EXPLODED DRAWING C—Model No. SFTL15619.0

R1109B

