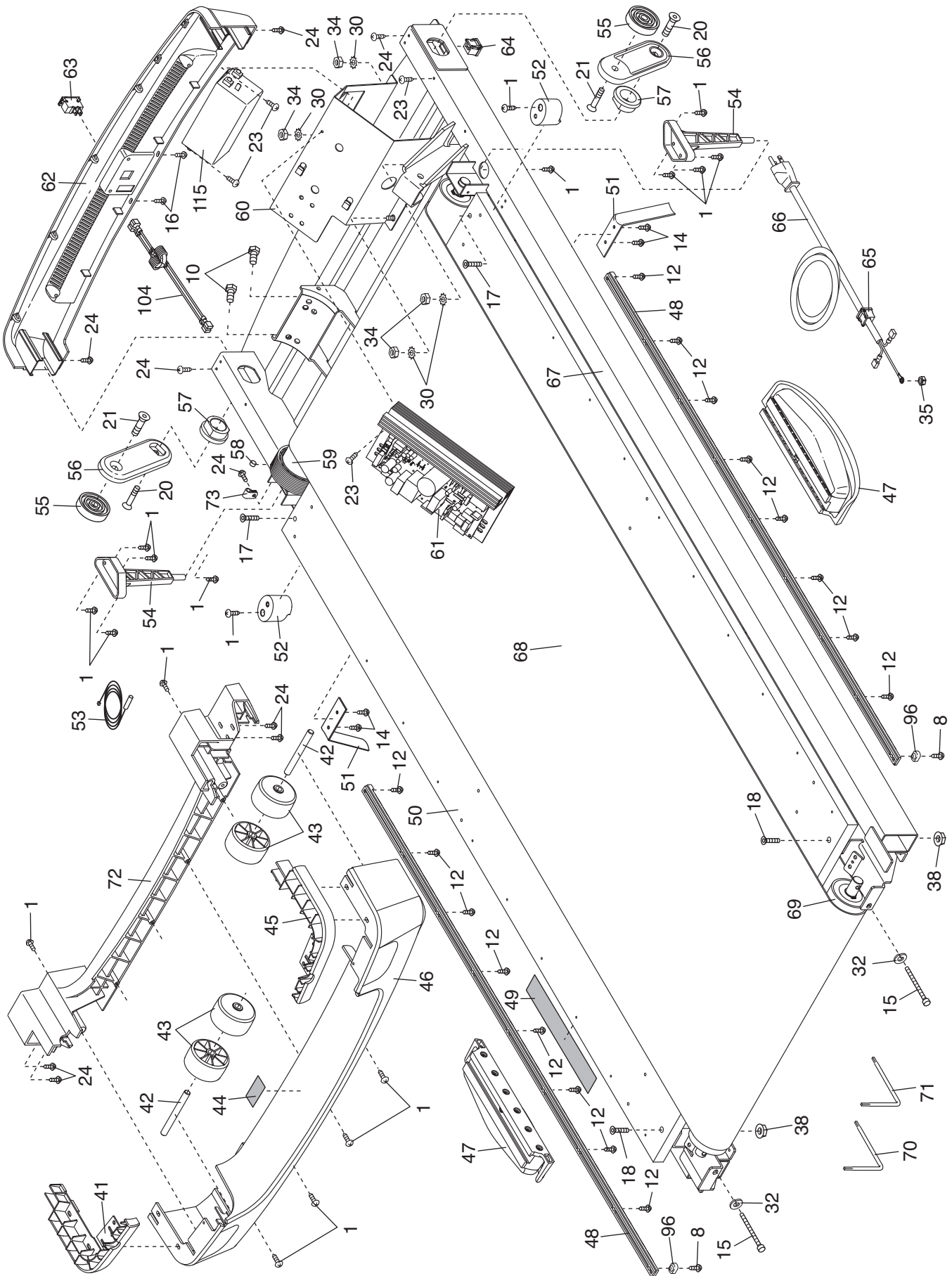


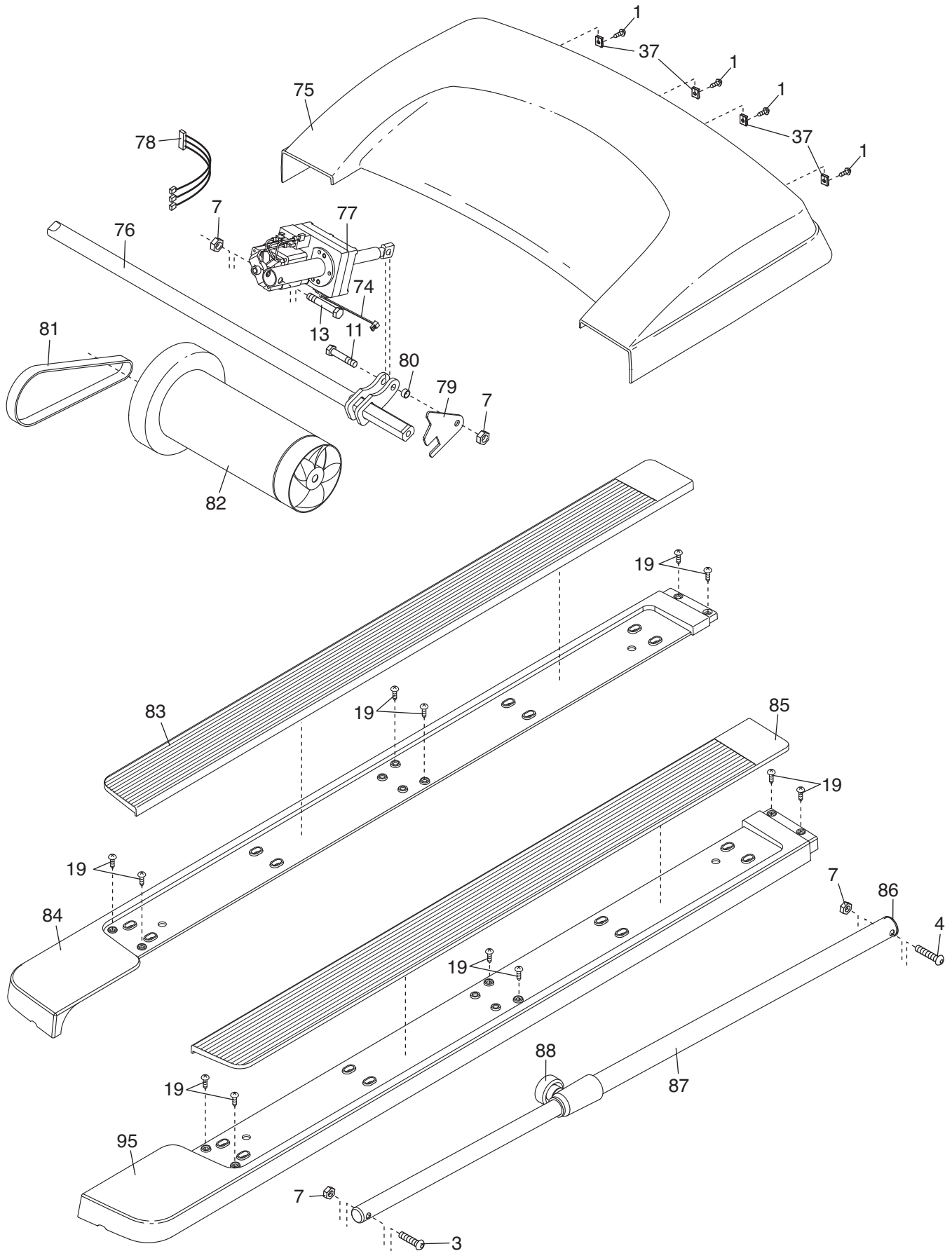
EXPLODED DRAWING A—Model No. SFTL18909.2

R0210A



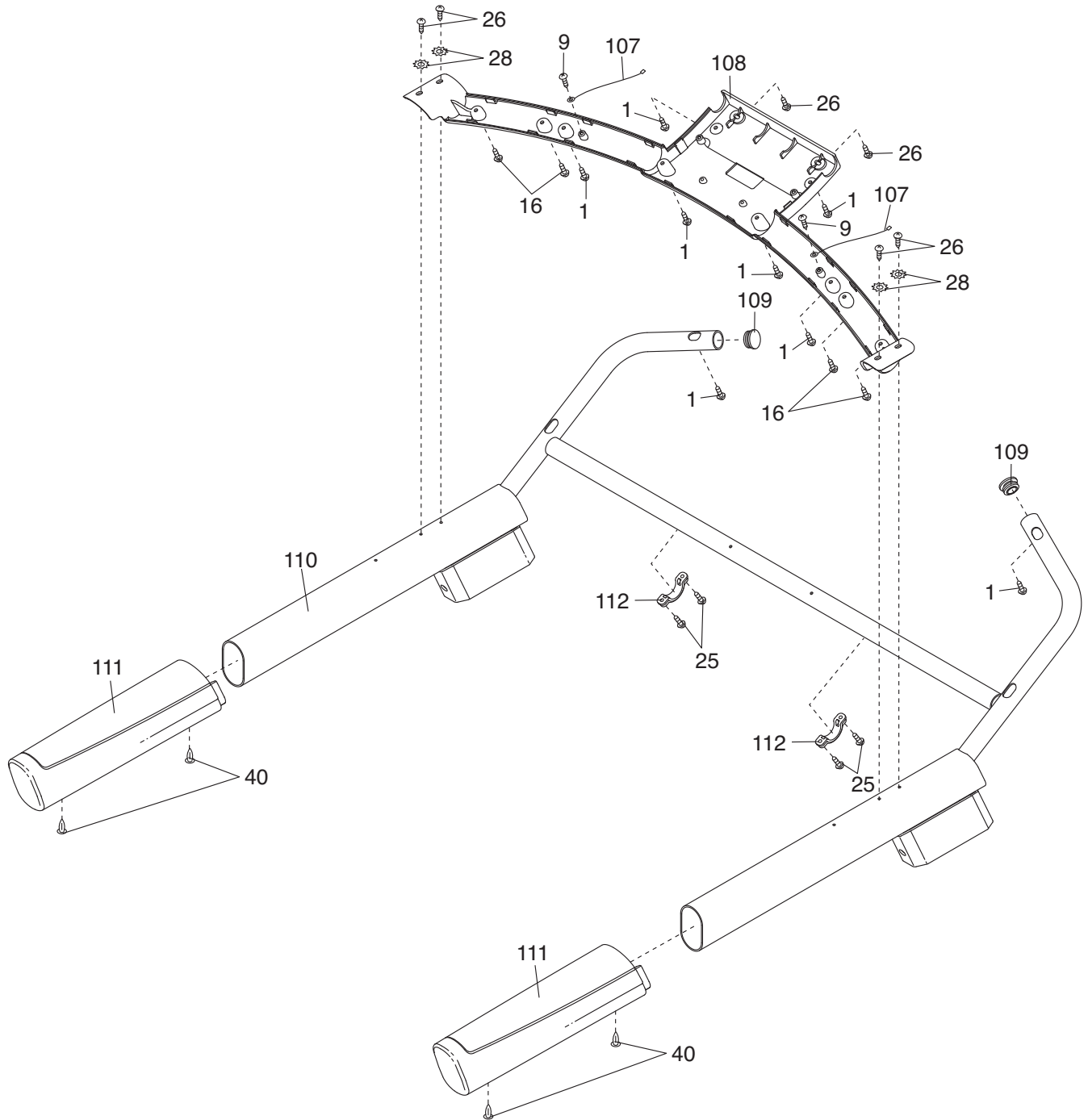
EXPLODED DRAWING B—Model No. SFTL18909.2

R0210A



EXPLODED DRAWING D—Model No. SFTL18909.2

R0210A



EXPLODED DRAWING E—Model No. SFTL18909.2

R0210A

