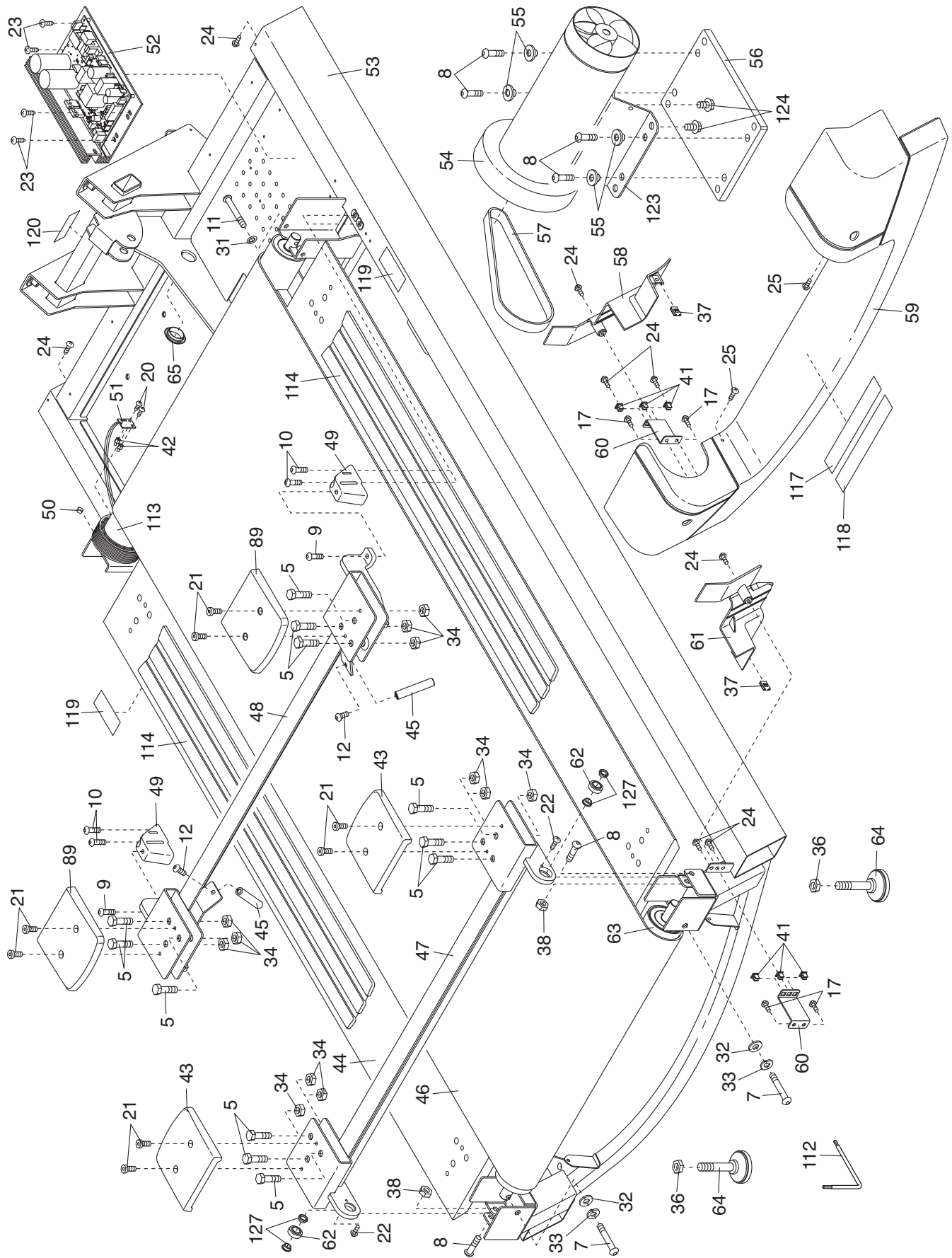


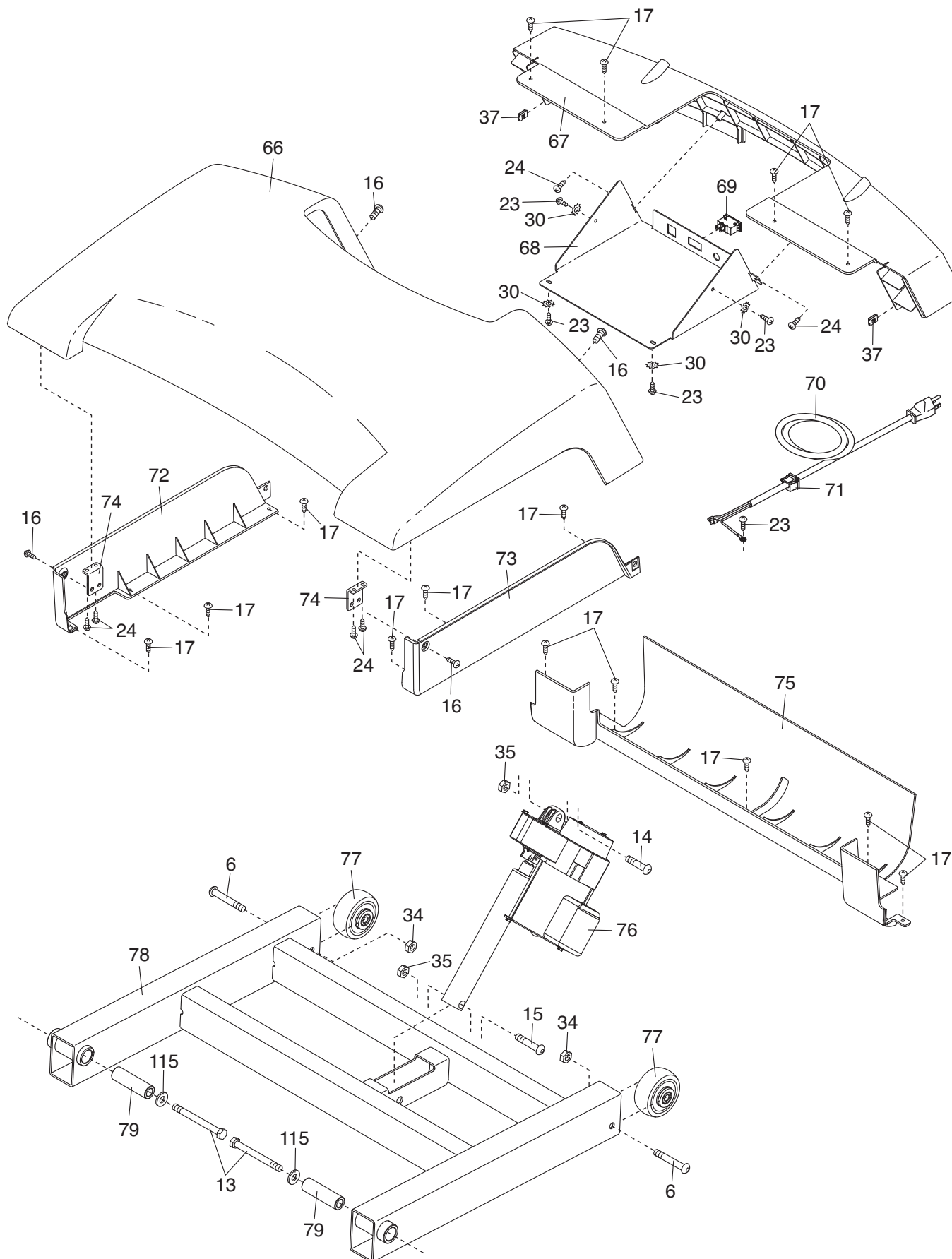
# EXPLODED DRAWING A—Model No. SFTL27808.0

R0609B



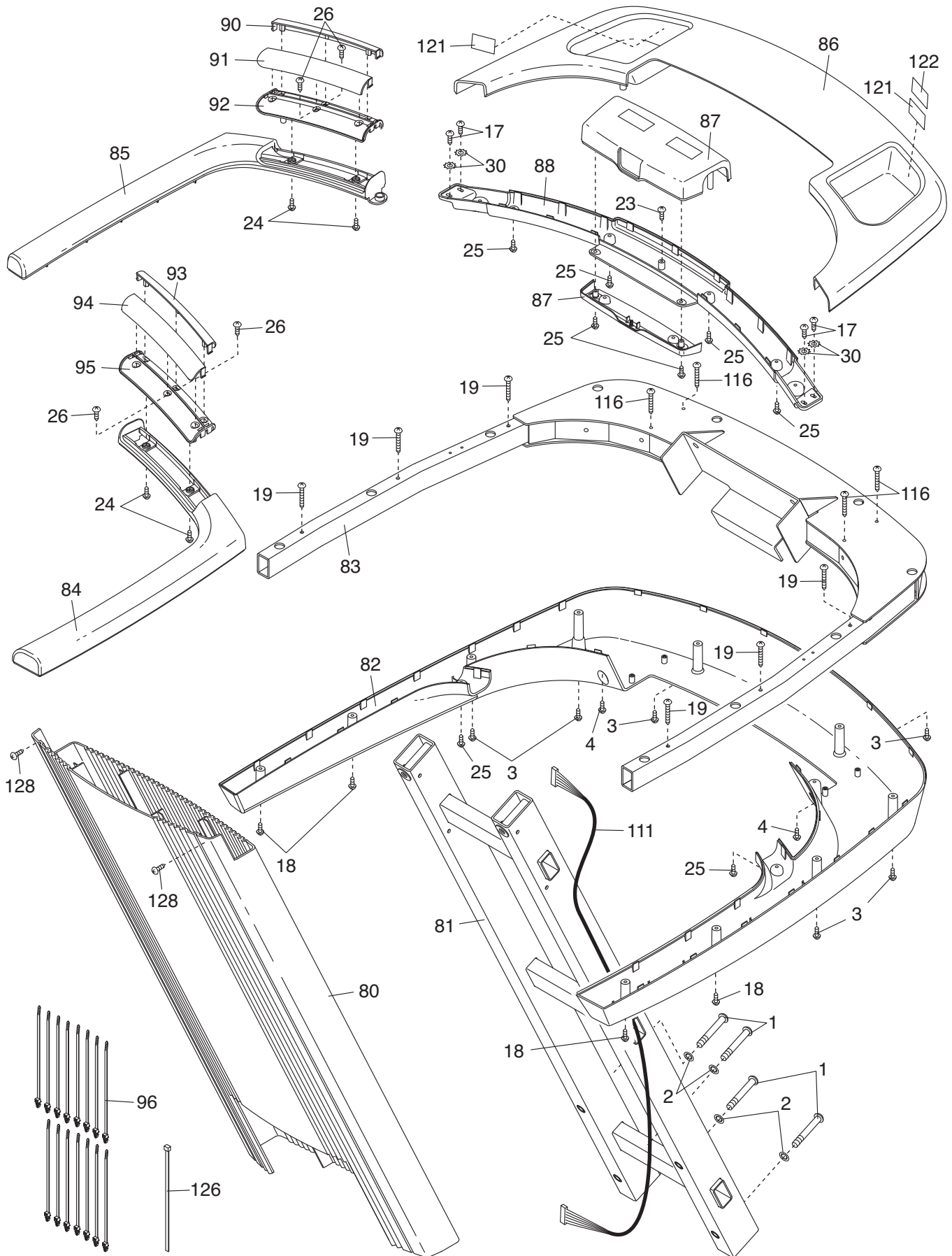
# EXPLODED DRAWING B—Model No. SFTL27808.0

R0609B



# EXPLODED DRAWING C—Model No. SFTL27808.0

R0609B



# EXPLODED DRAWING D—Model No. SFTL27808.0

R0609B

