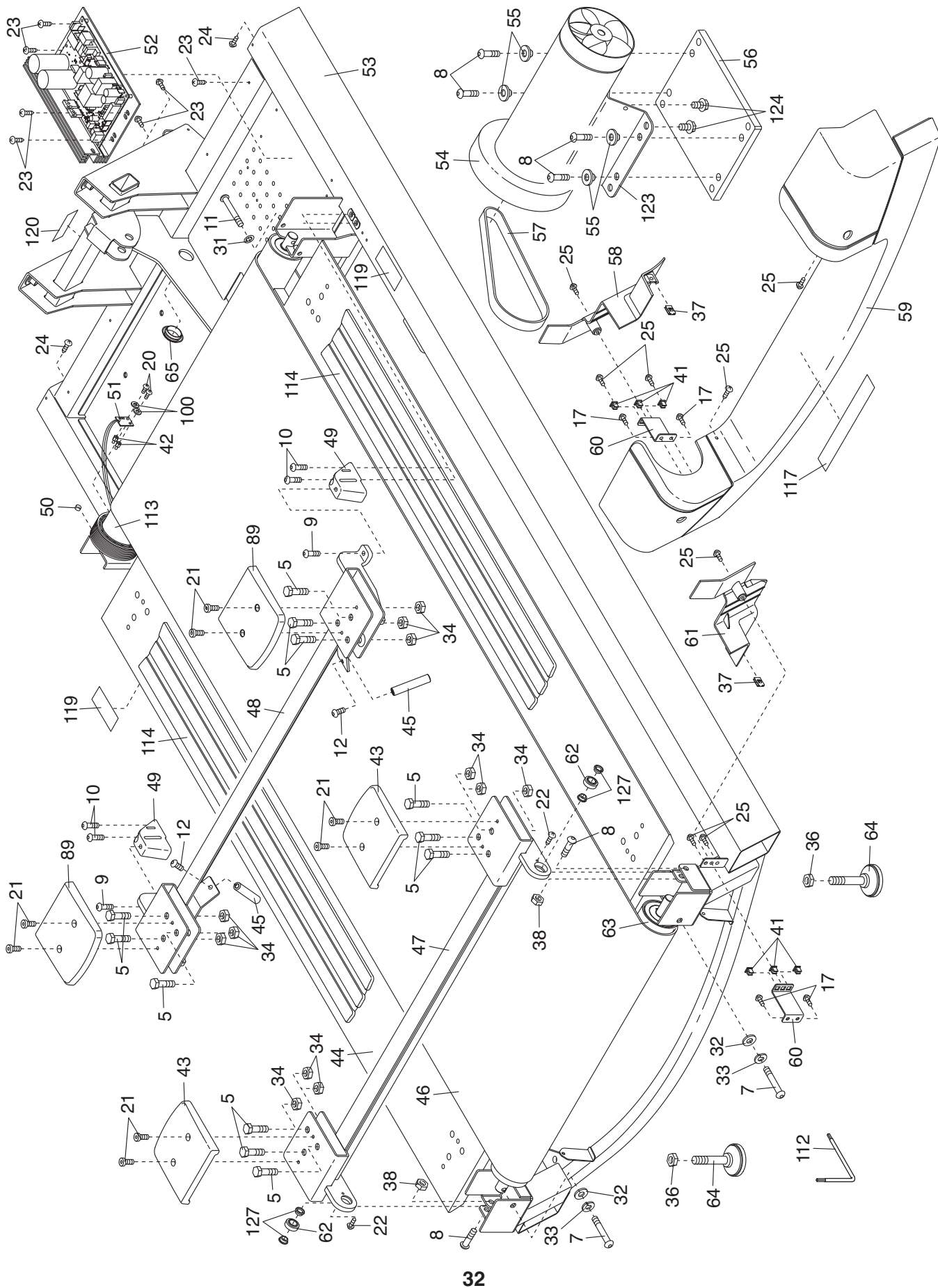


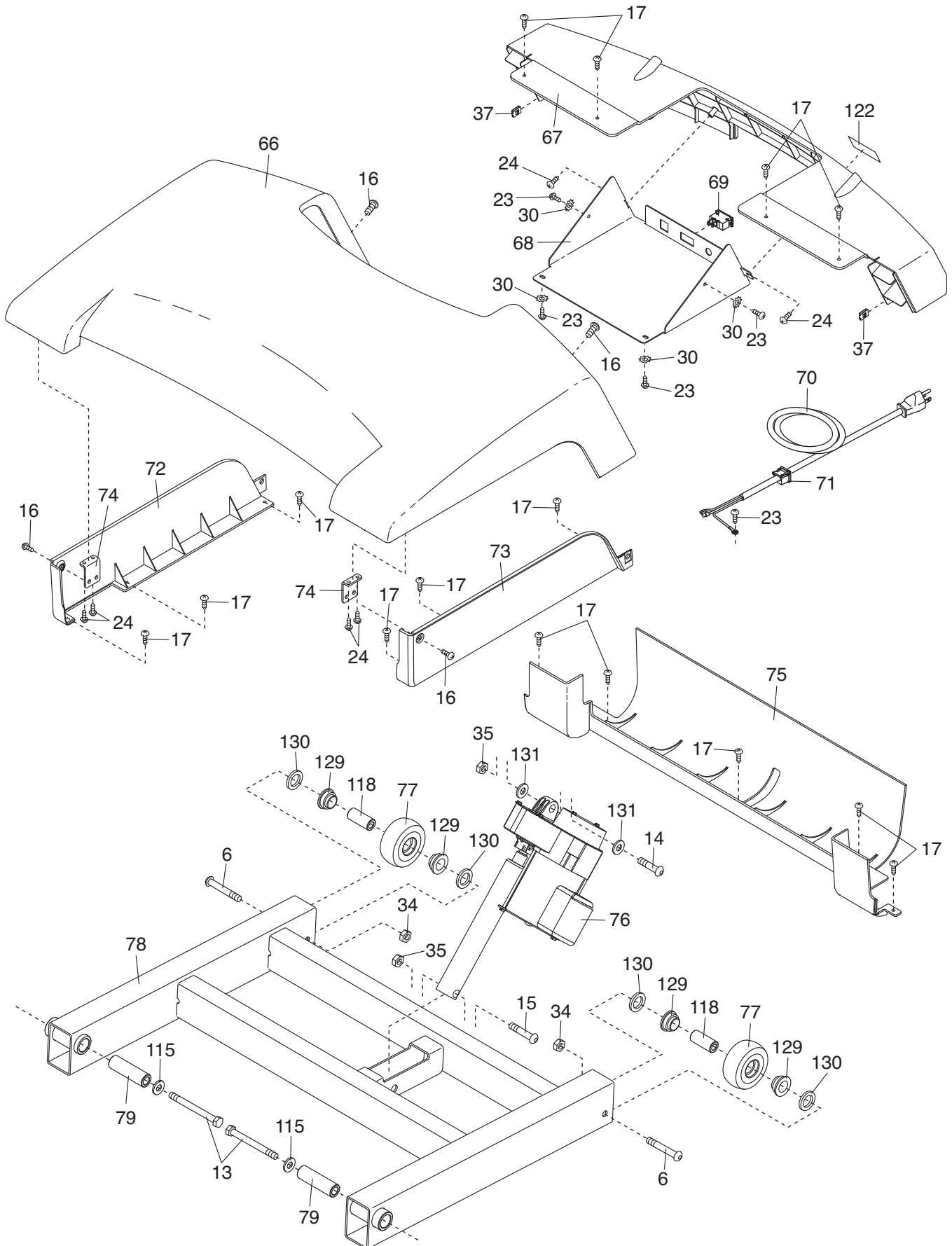
EXPLODED DRAWING A

Model No. SFTL 27808.2 R0111A



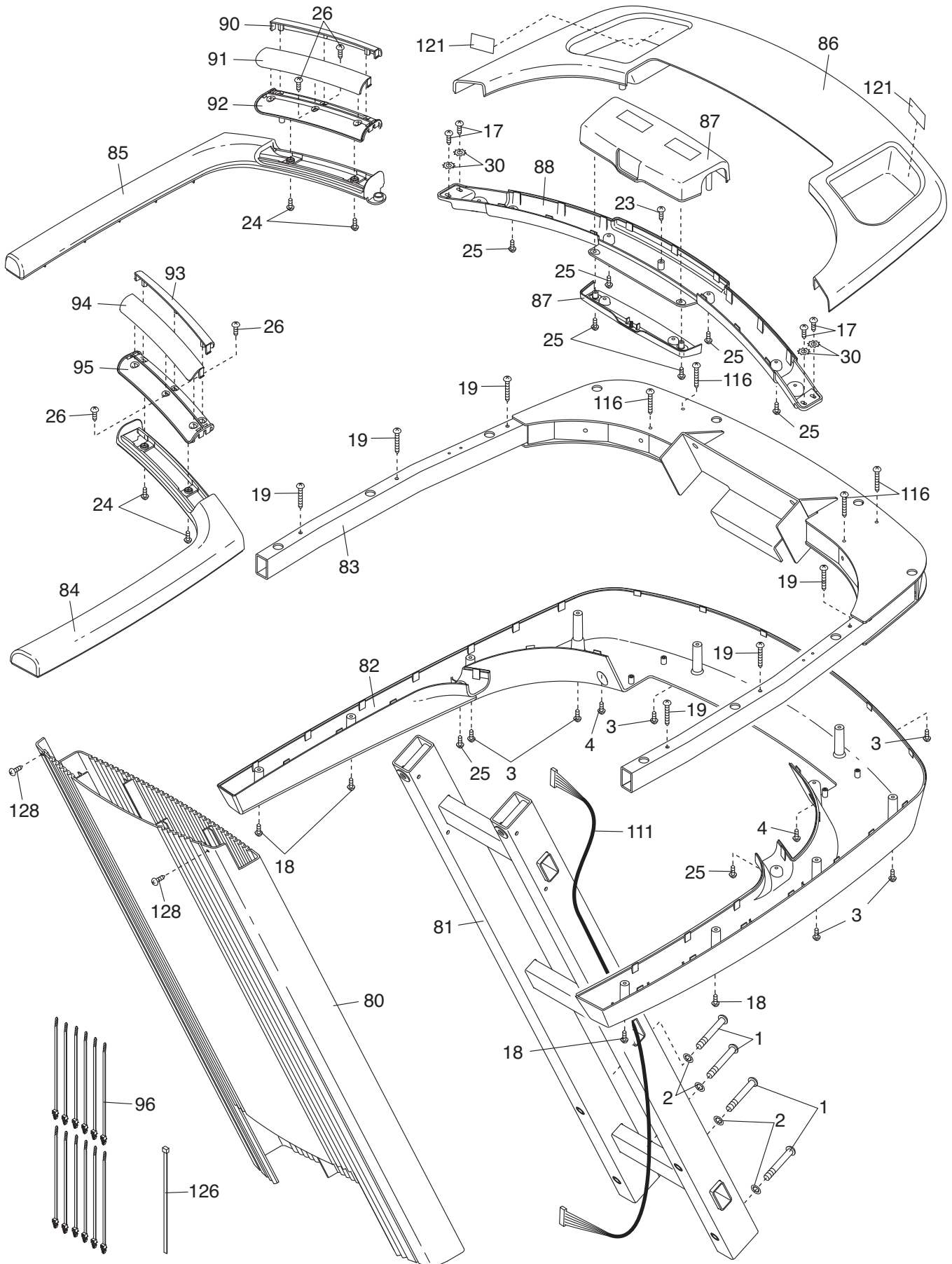
EXPLODED DRAWING B

Model No. SFTL 27808.2 R0111A



EXPLODED DRAWING C

Model No. SFTL 27808.2 R0111A



EXPLODED DRAWING D

Model No. SFTL 27808.2 R0111A

