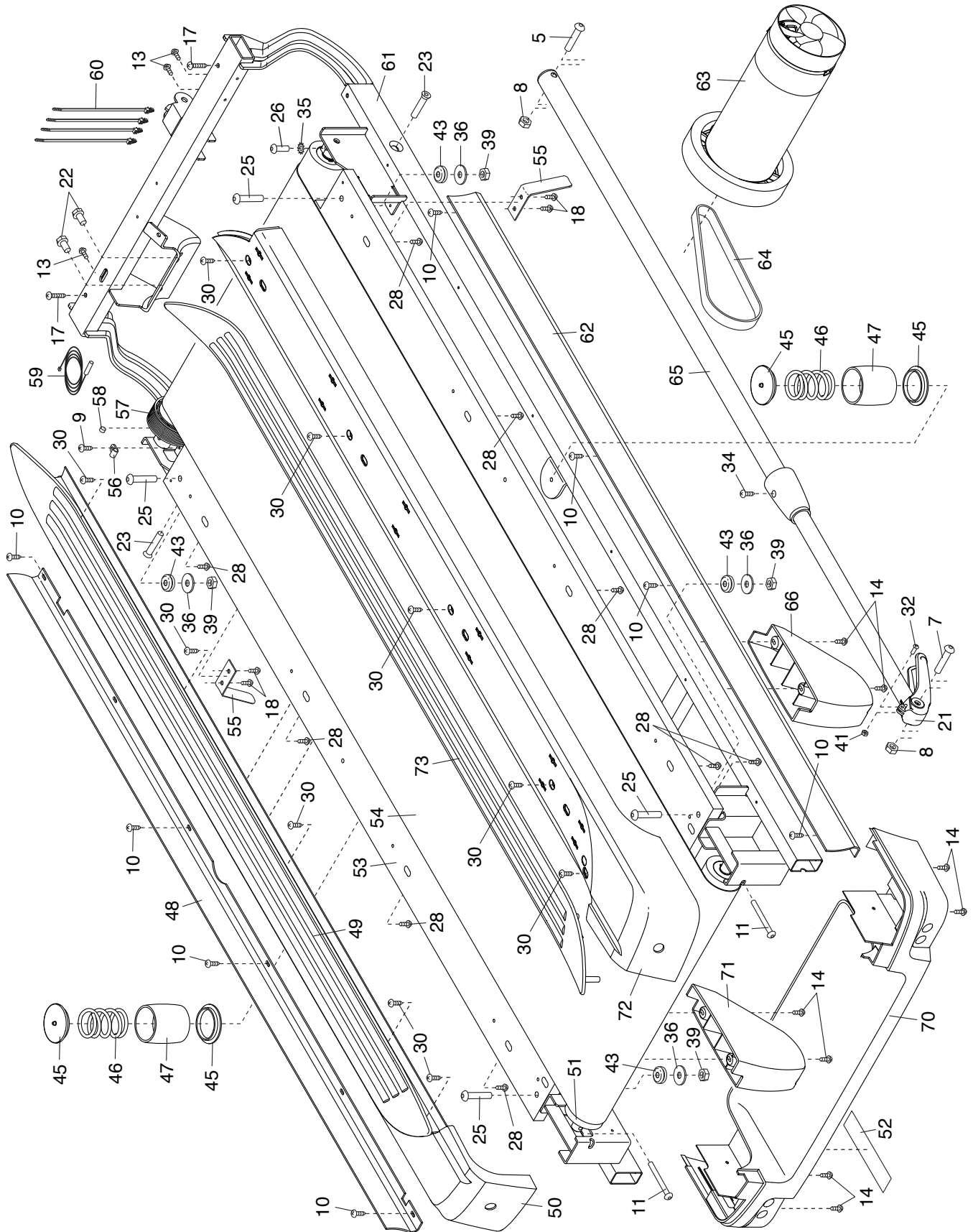


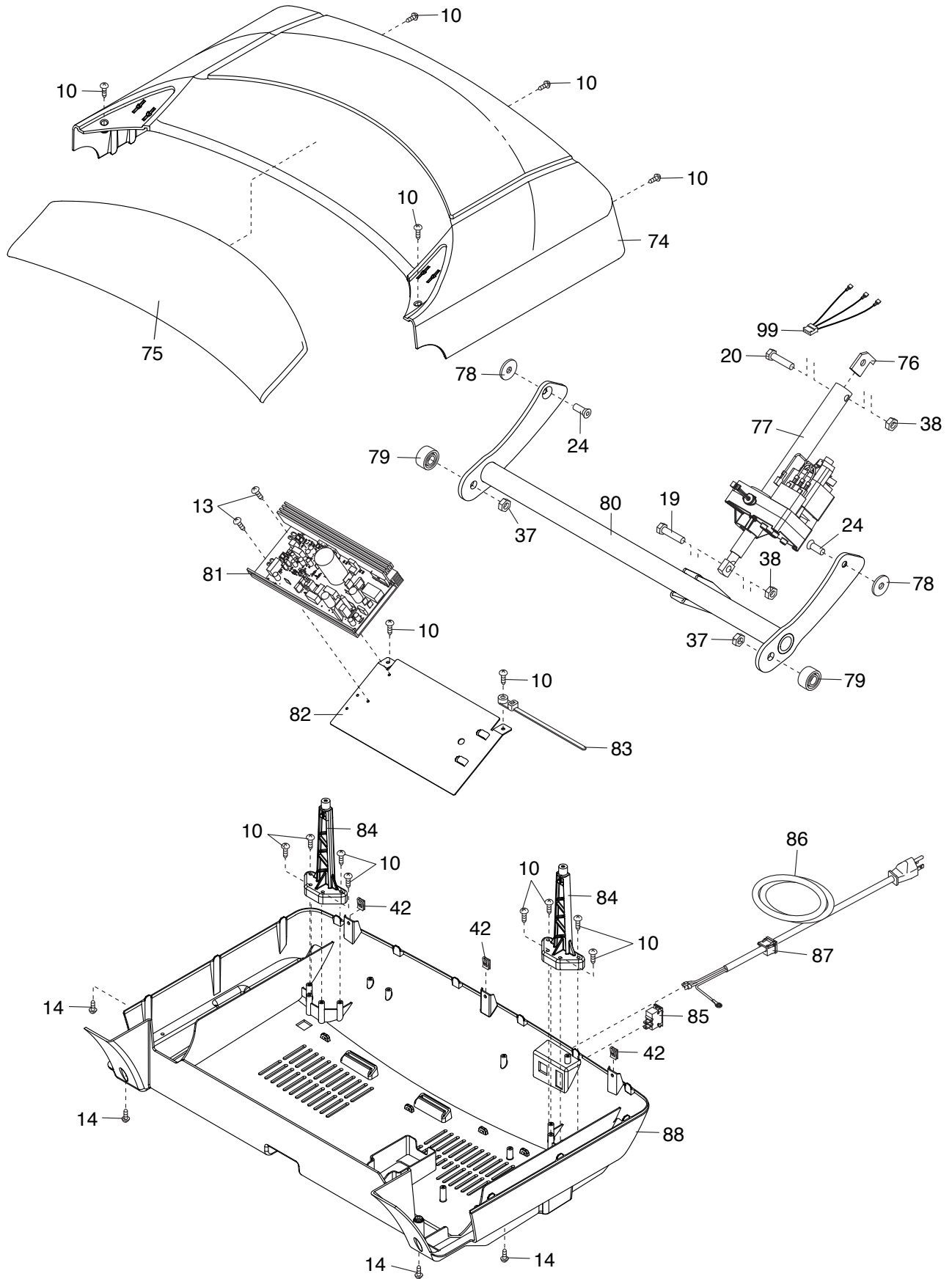
EXPLODED DRAWING A

Model No. SFTL81413.0 R0514A



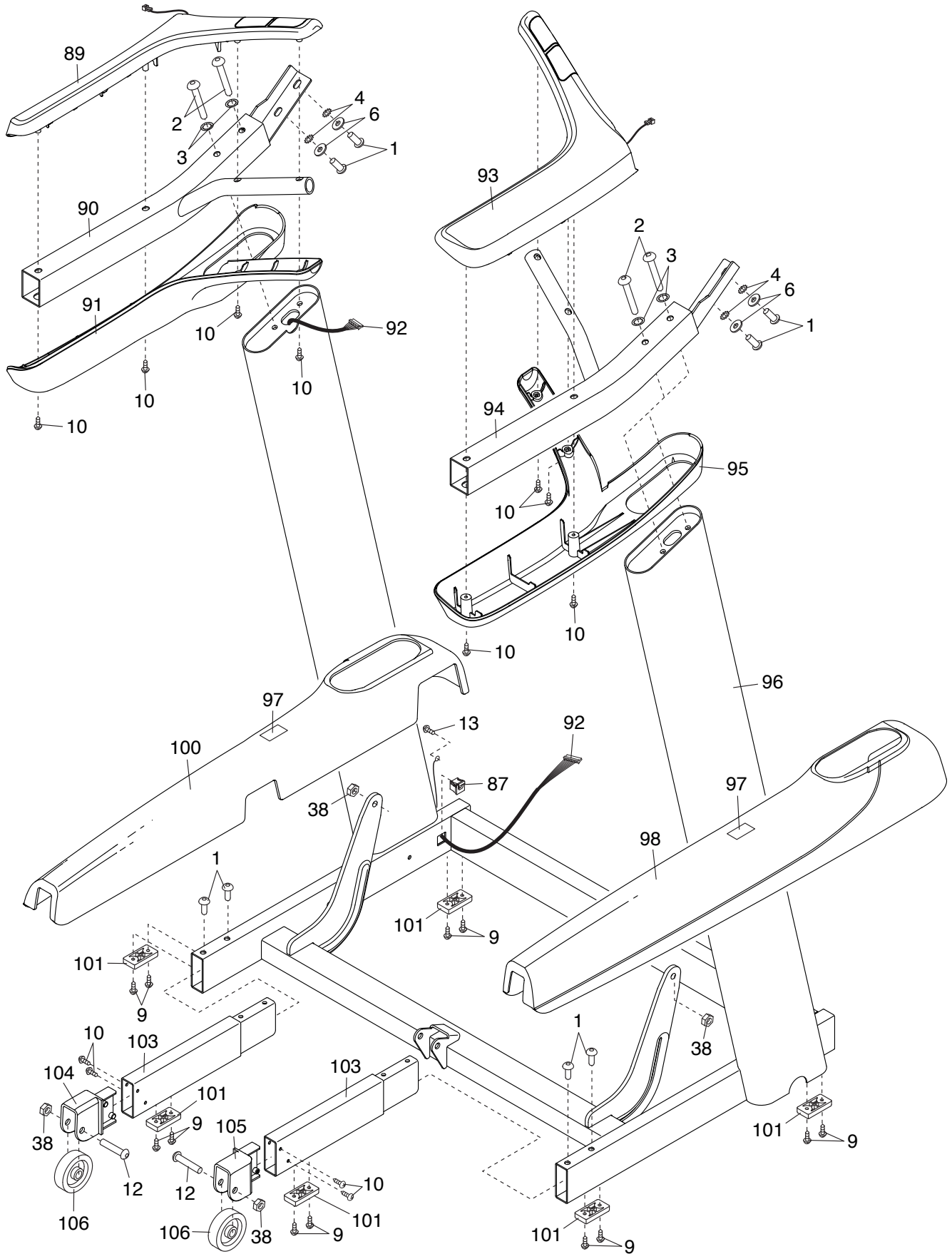
EXPLODED DRAWING B

Model No. SFTL81413.0 R0514A



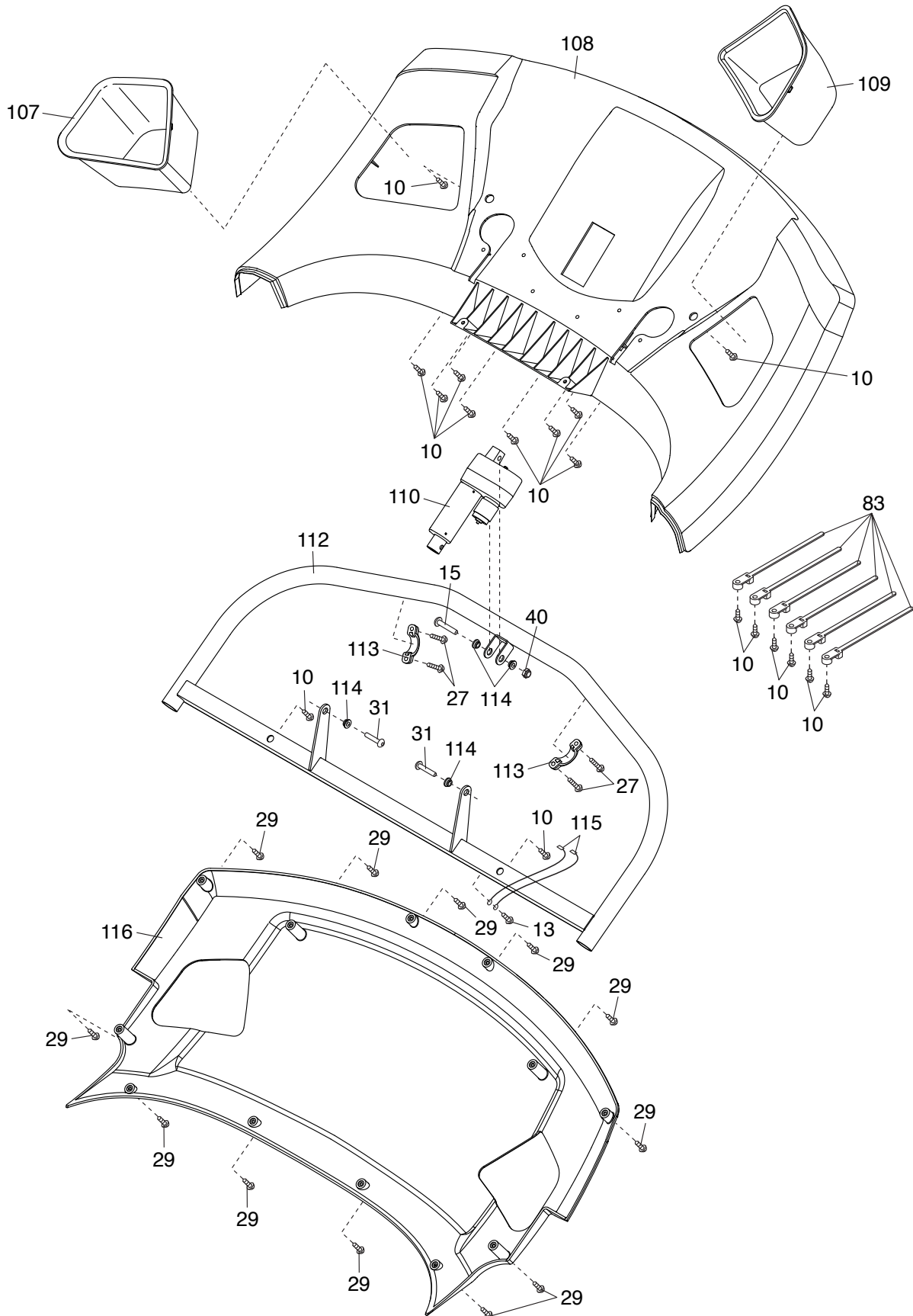
EXPLODED DRAWING C

Model No. SFTL81413.0 R0514A



EXPLODED DRAWING D

Model No. SFTL81413.0 R0514A



EXPLODED DRAWING E

Model No. SFTL81413.0 R0514A

