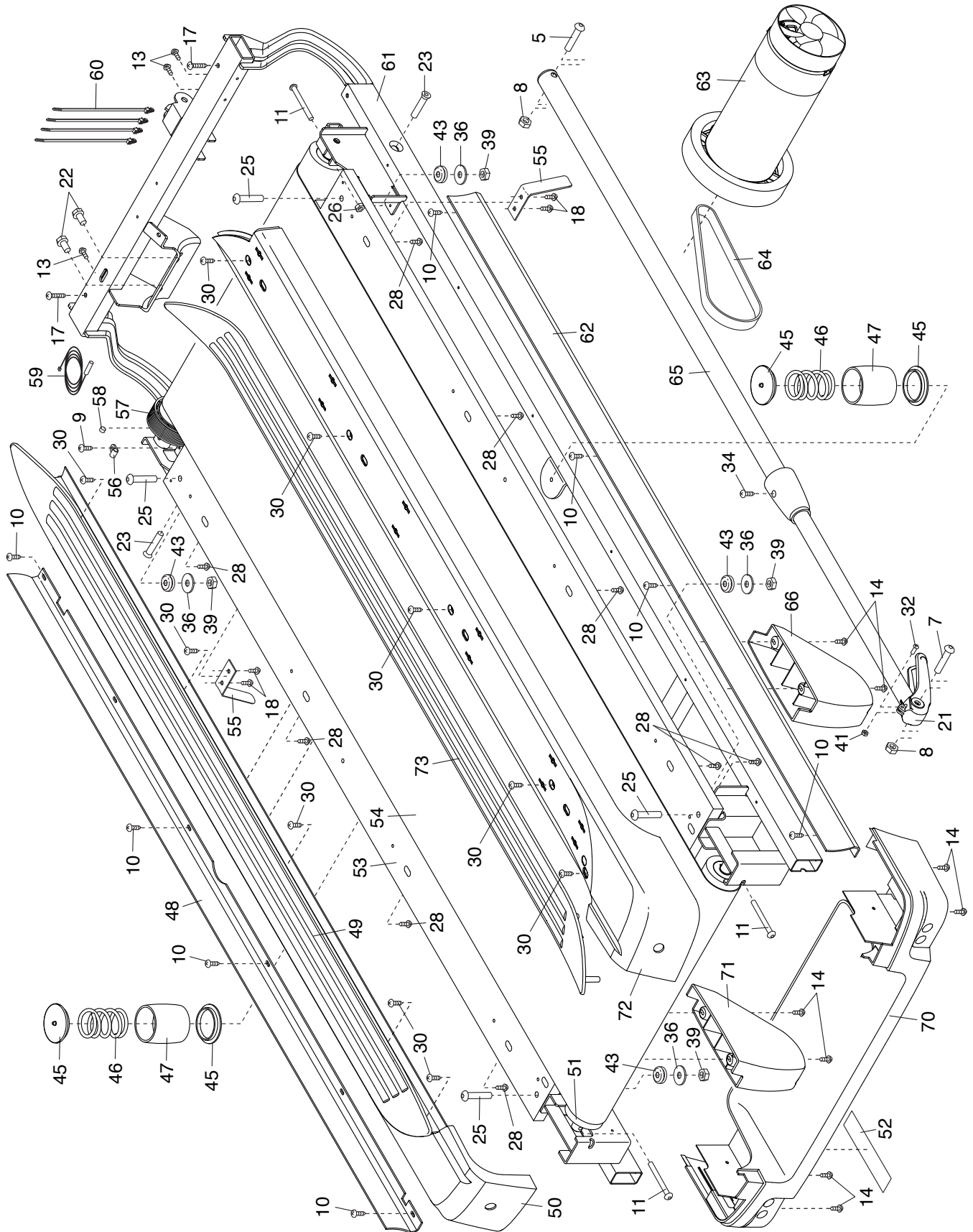


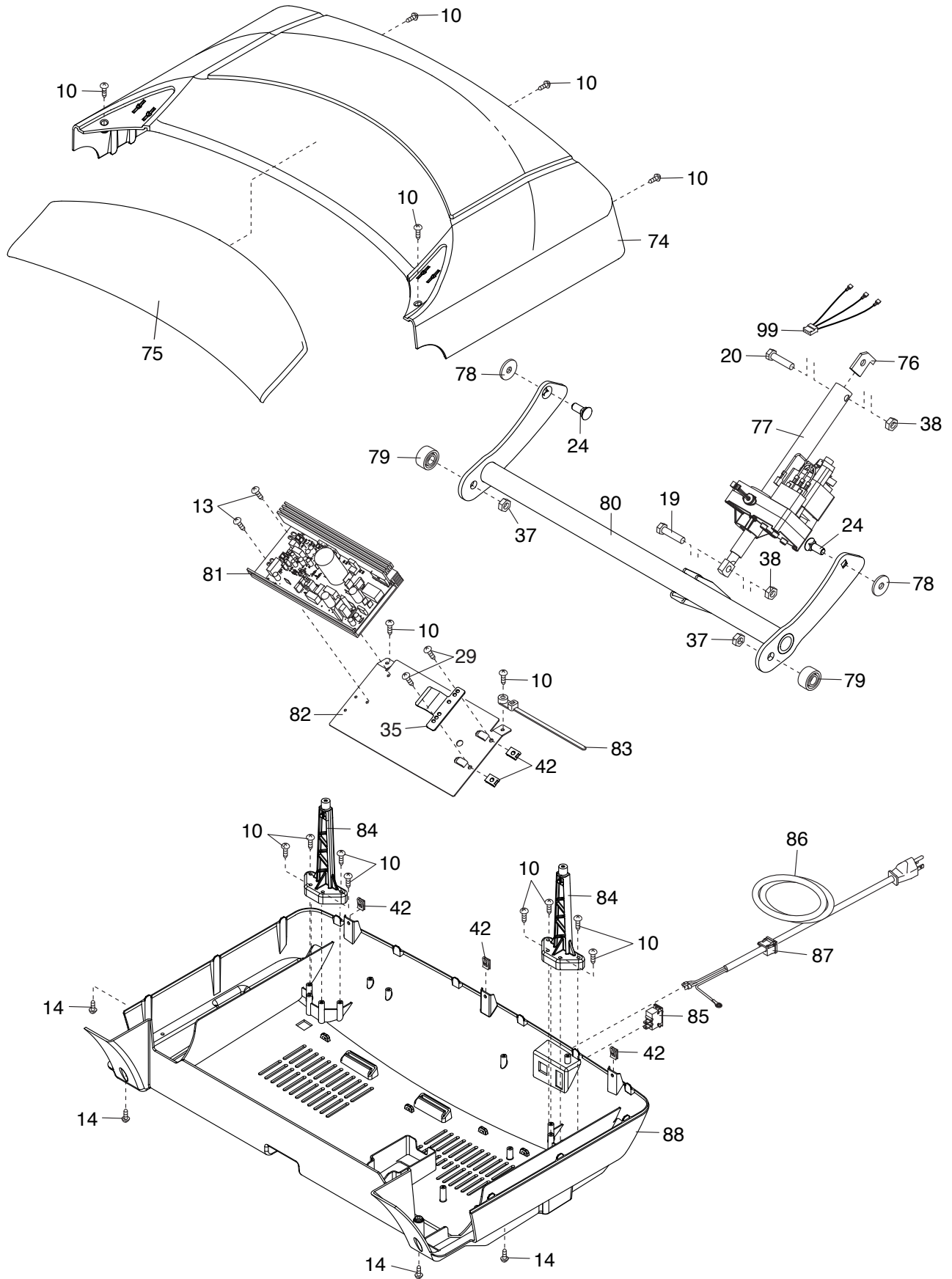
# EXPLODED DRAWING A

Model No. SFTL81413.2 R0615A



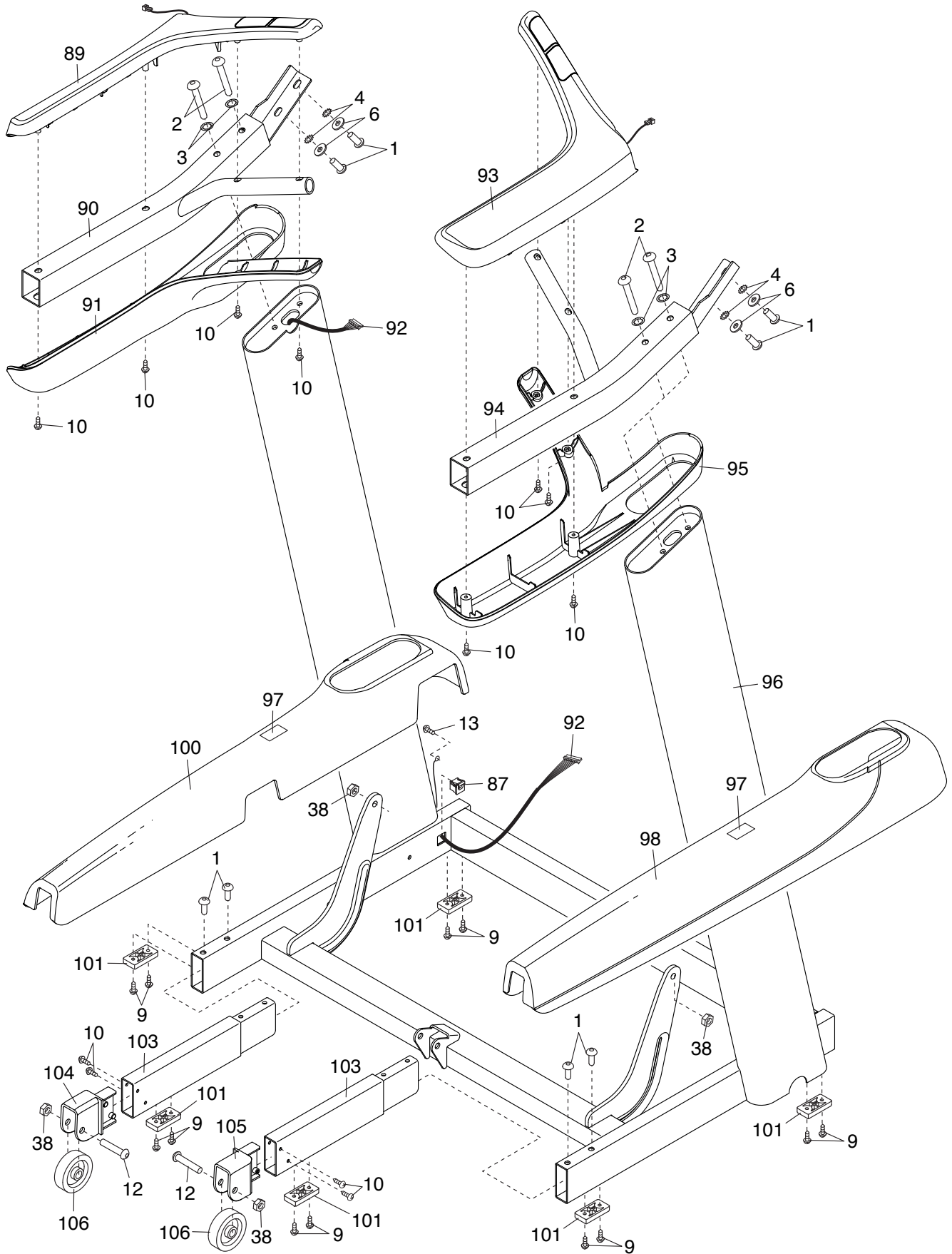
# EXPLODED DRAWING B

Model No. SFTL81413.2 R0615A



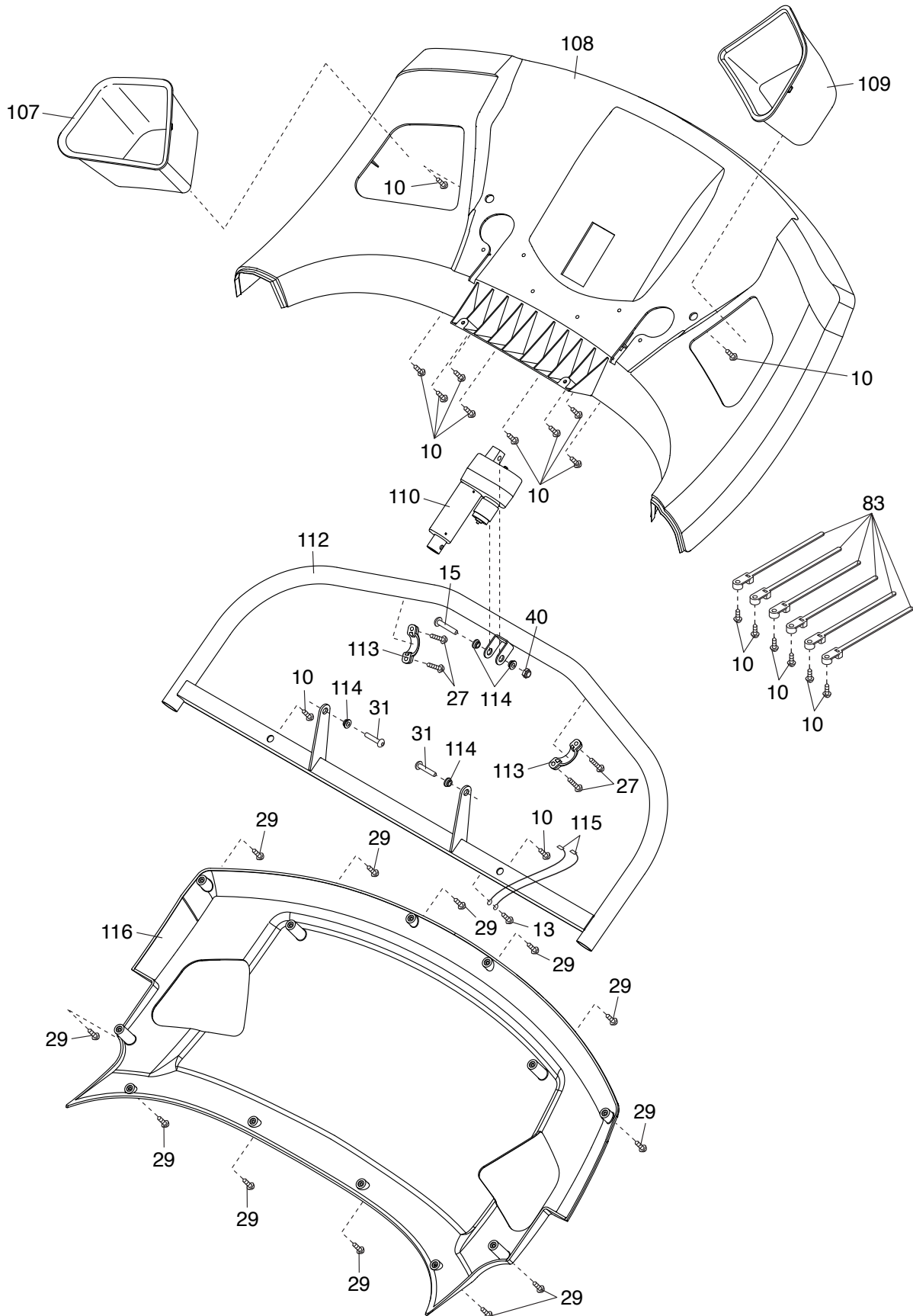
# EXPLODED DRAWING C

Model No. SFTL81413.2 R0615A



# EXPLODED DRAWING D

Model No. SFTL81413.2 R0615A



# EXPLODED DRAWING E

Model No. SFTL81413.2 R0615A

