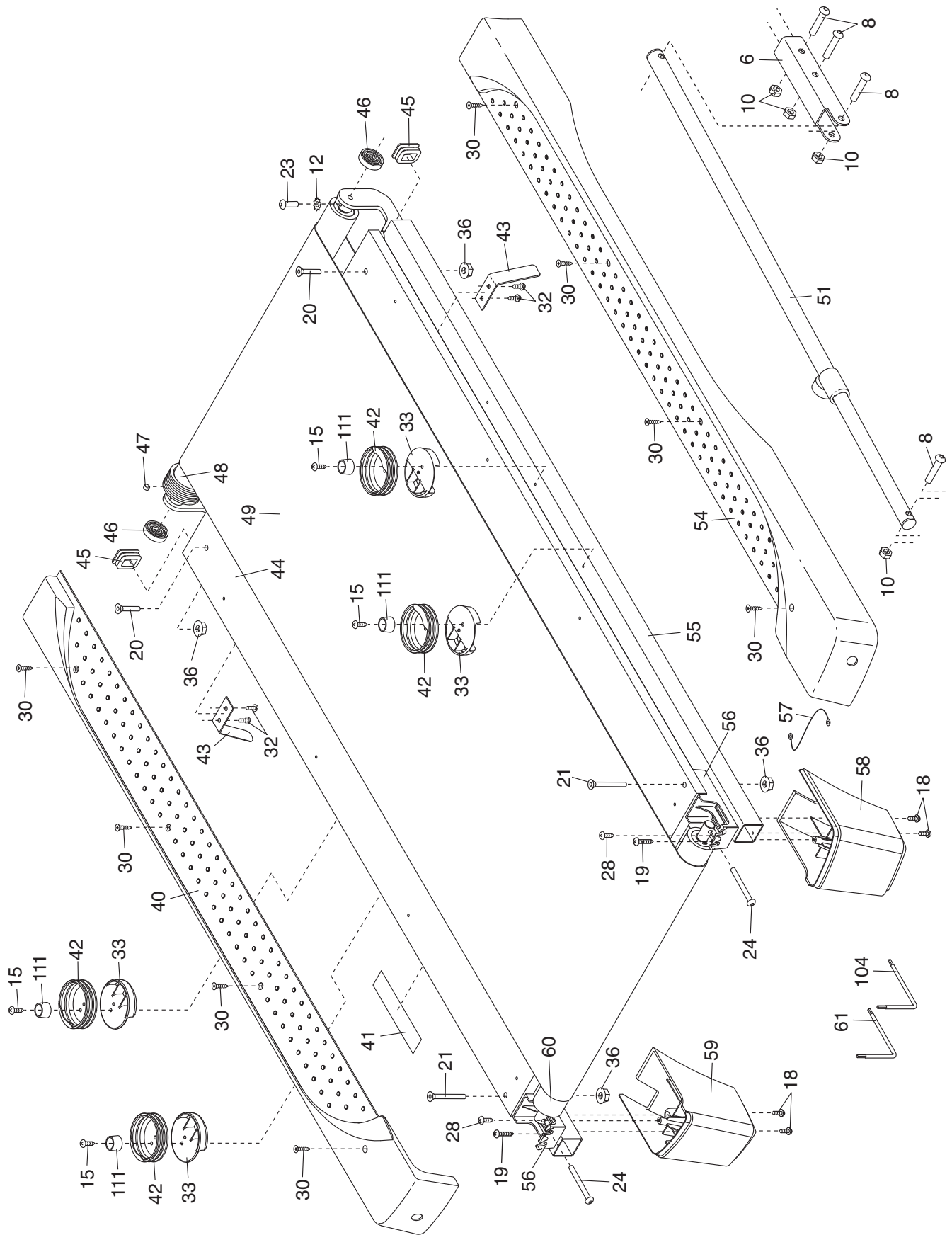


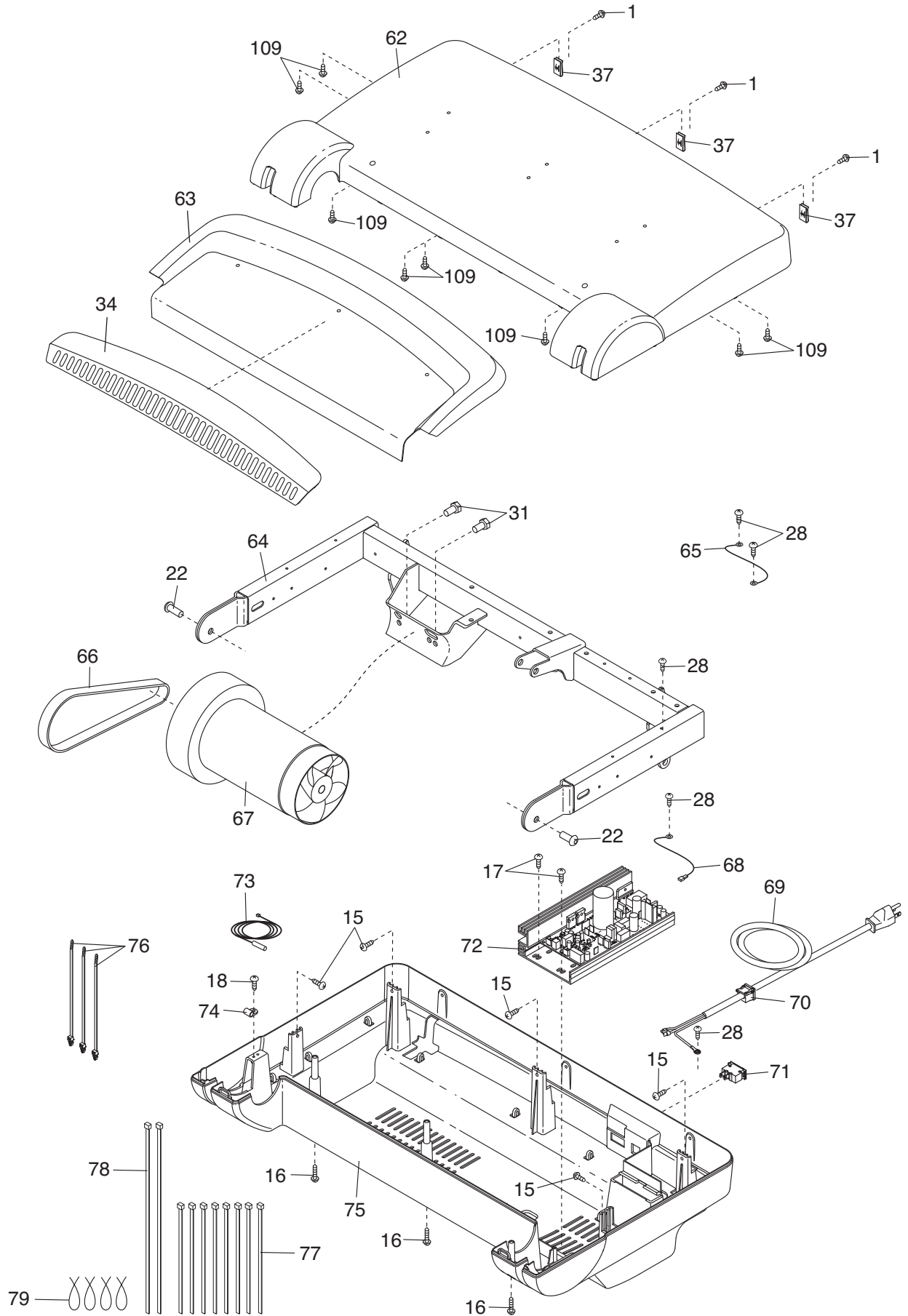
# EXPLODED DRAWING A

Model No. SFTL89810.0 R0111B



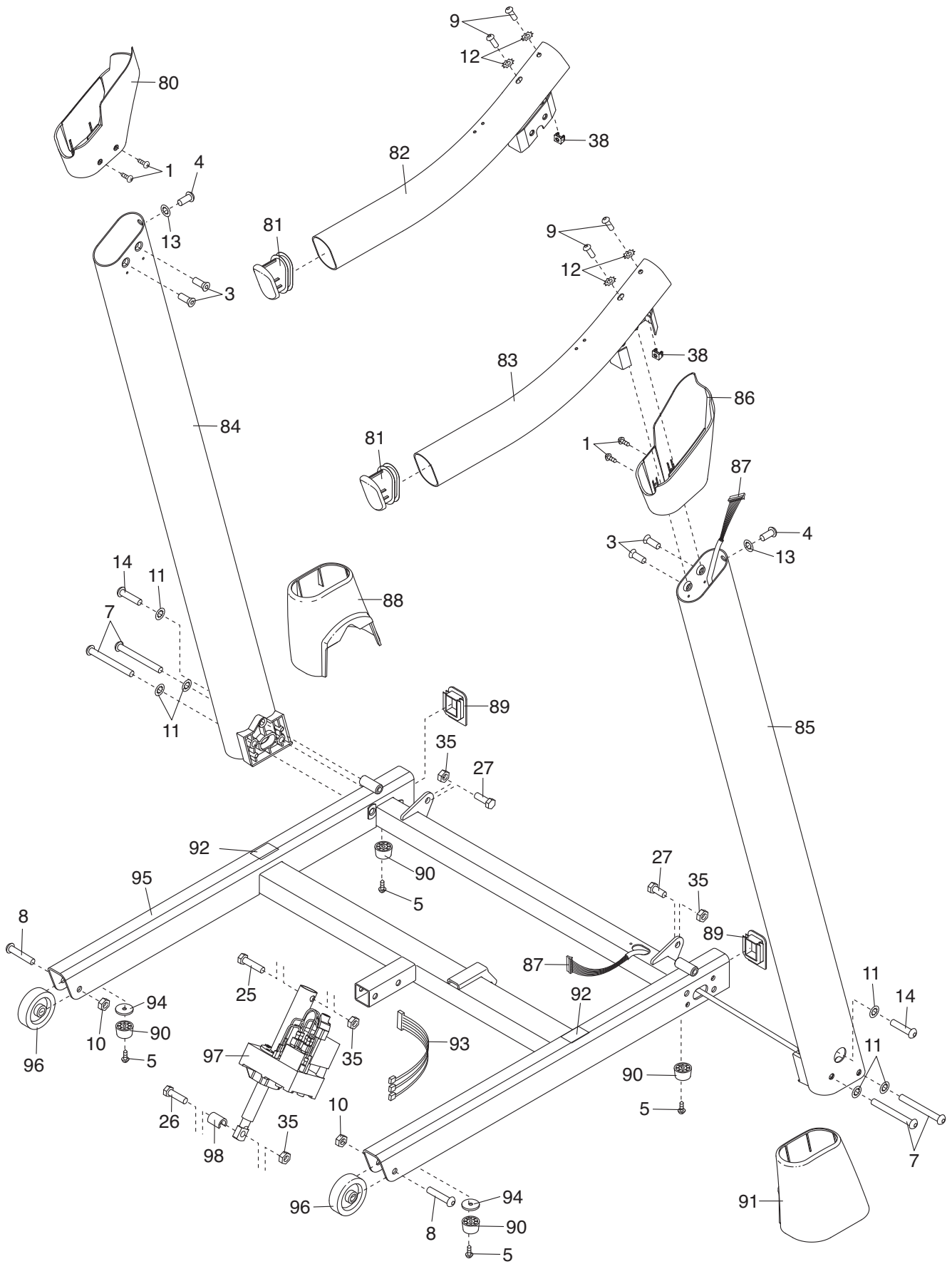
# EXPLODED DRAWING B

Model No. SFTL89810.0 R0111B



# EXPLODED DRAWING C

Model No. SFTL89810.0 R0111B



# EXPLODED DRAWING D

Model No. SFTL89810.0 R0111B

