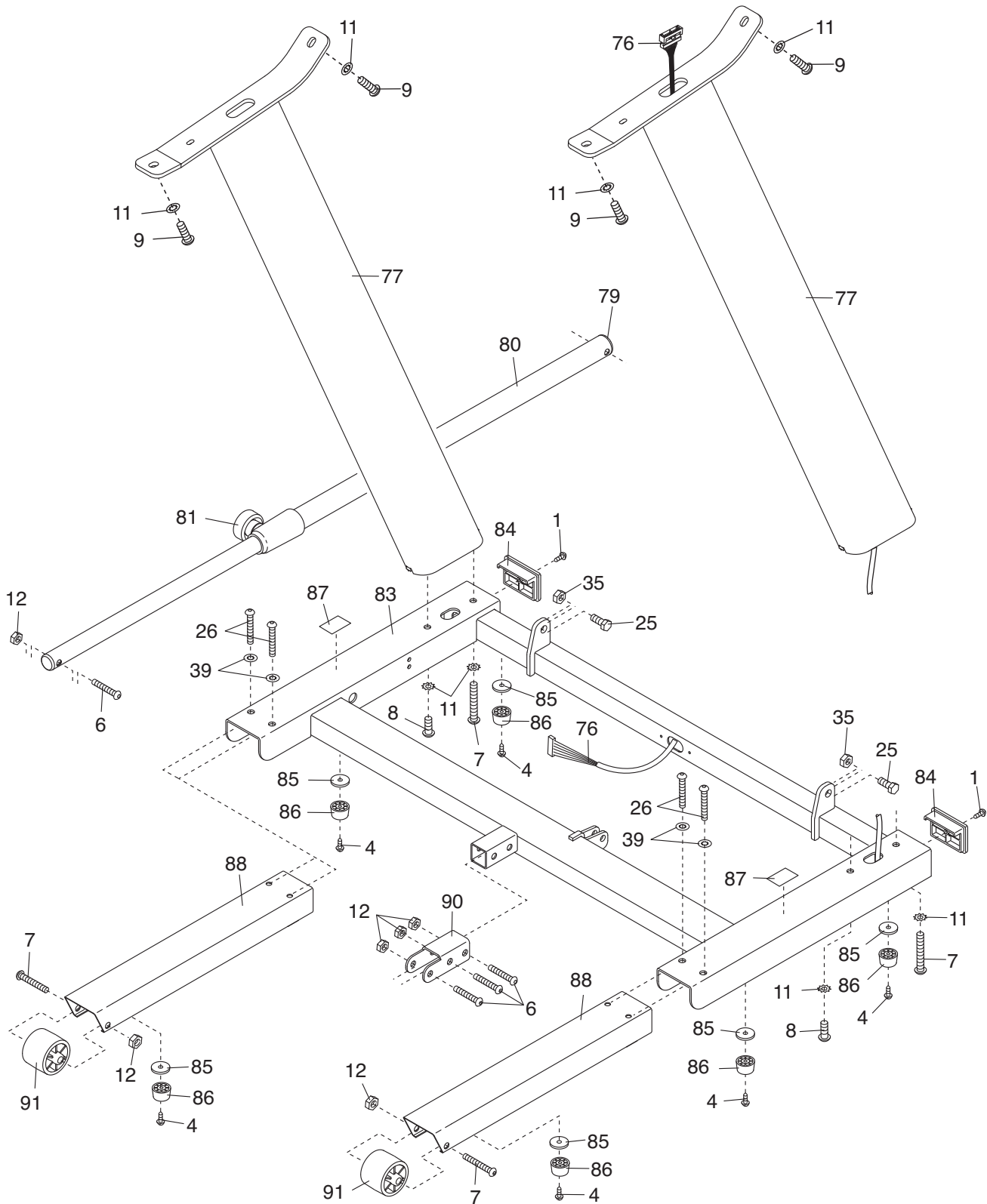


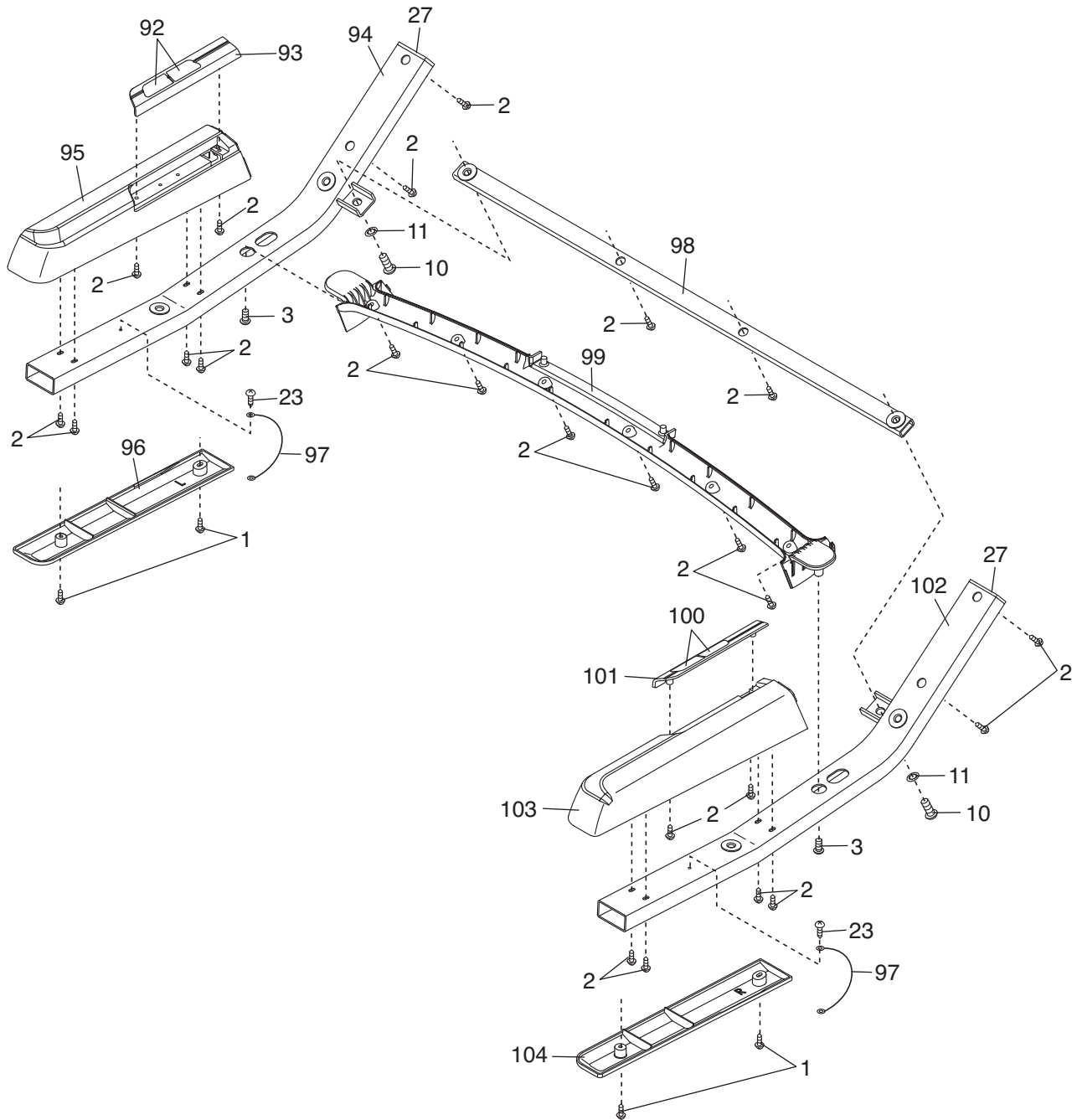
EXPLODED DRAWING C—Model No. SFTL90009.0

R1009A



EXPLODED DRAWING D—Model No. SFTL90009.0

R1009A



EXPLODED DRAWING E—Model No. SFTL90009.0

R1009A

