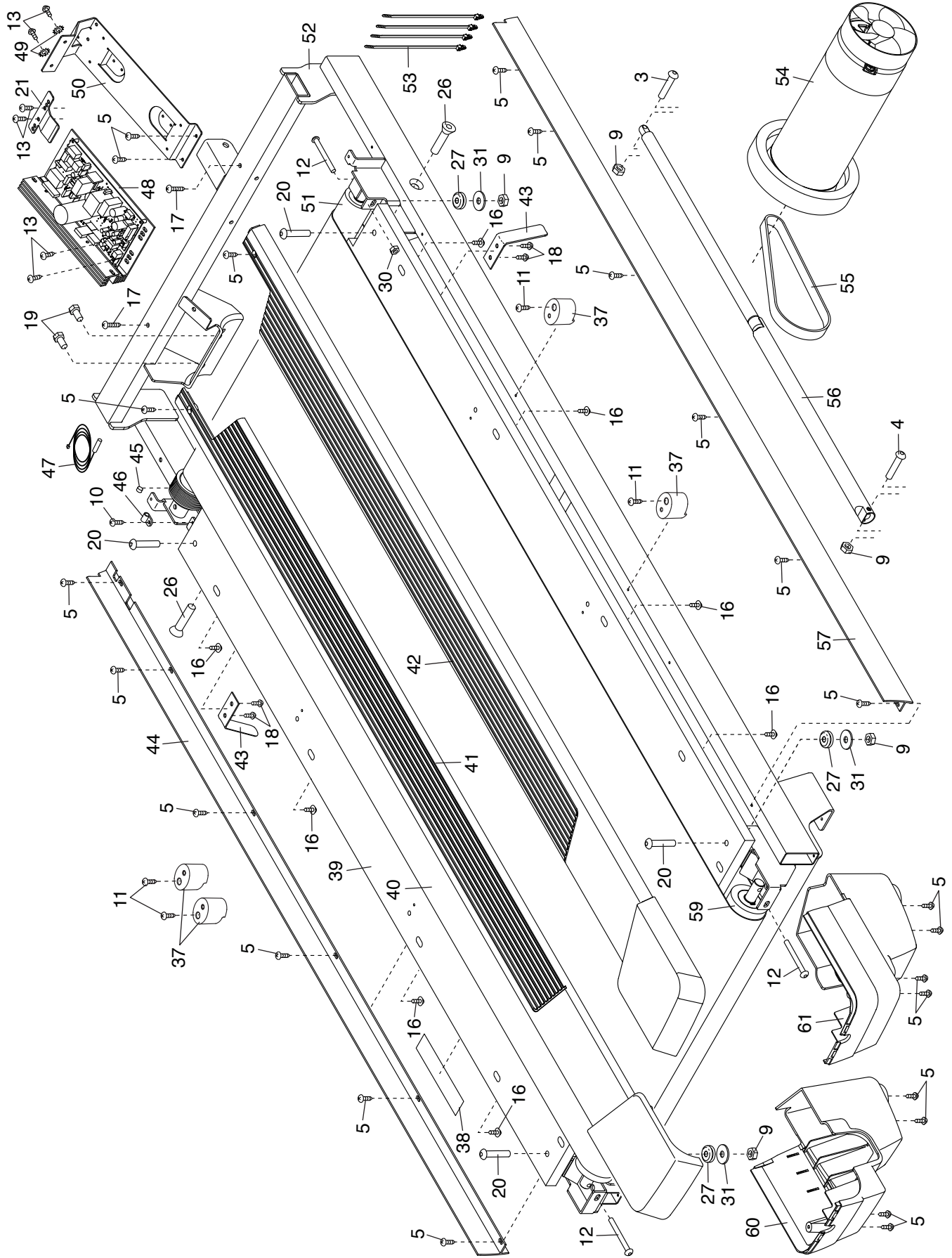


EXPLODED DRAWING A

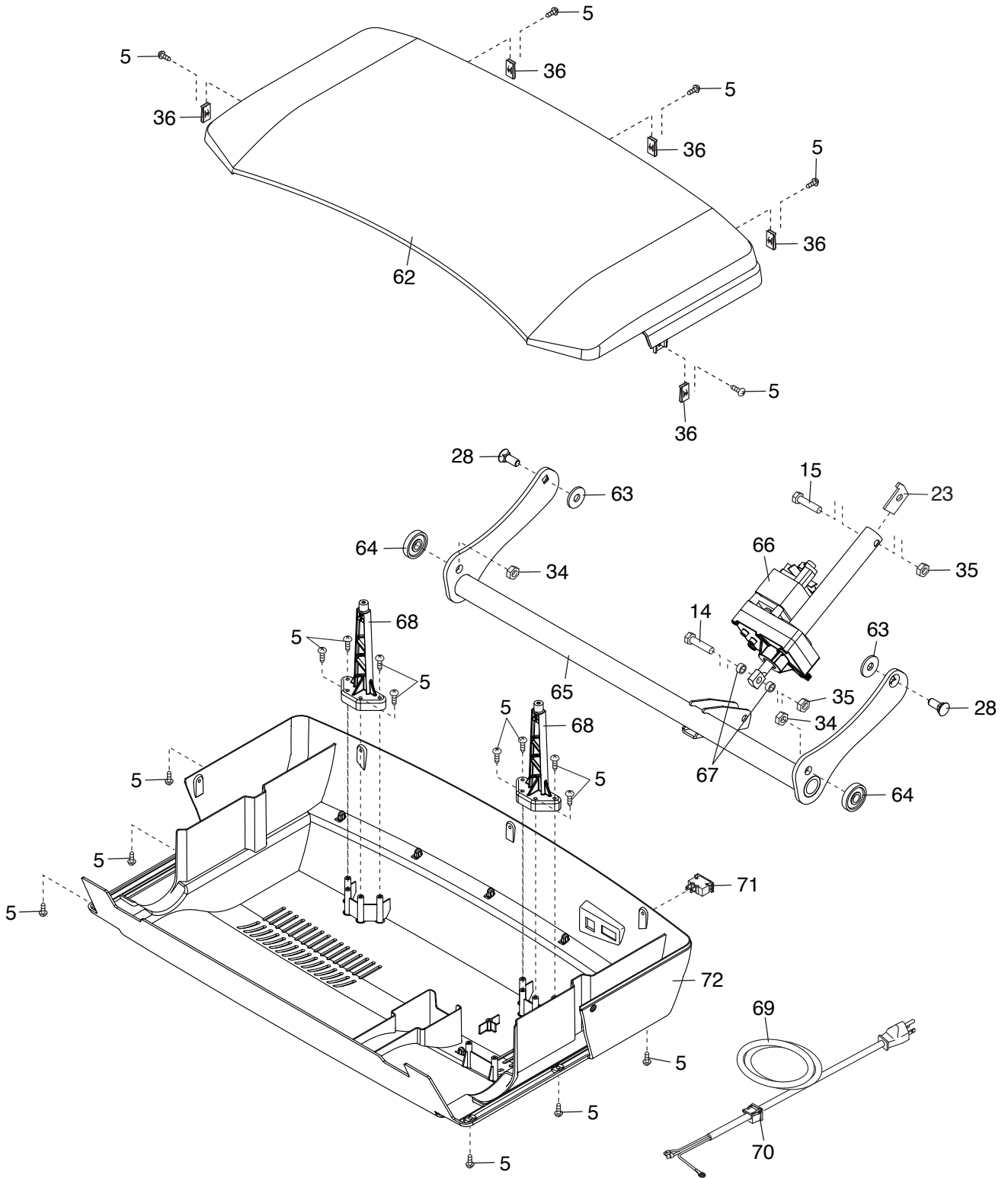
Model No. SFTL99514.0 R1114A



32

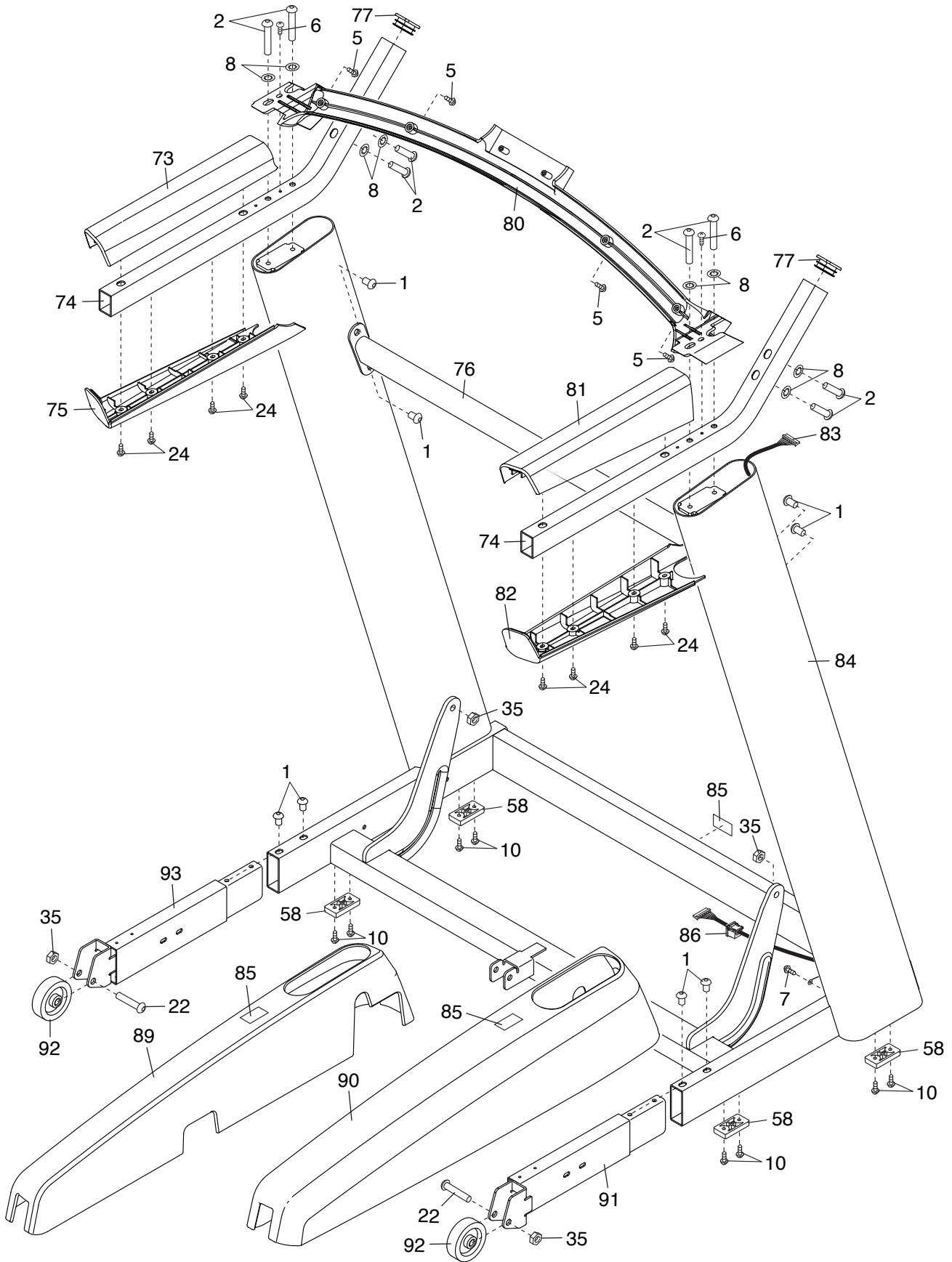
EXPLODED DRAWING B

Model No. SFTL99514.0 R1114A



EXPLODED DRAWING C

Model No. SFTL99514.0 R1114A



EXPLODED DRAWING D

Model No. SFTL99514.0 R1114A

