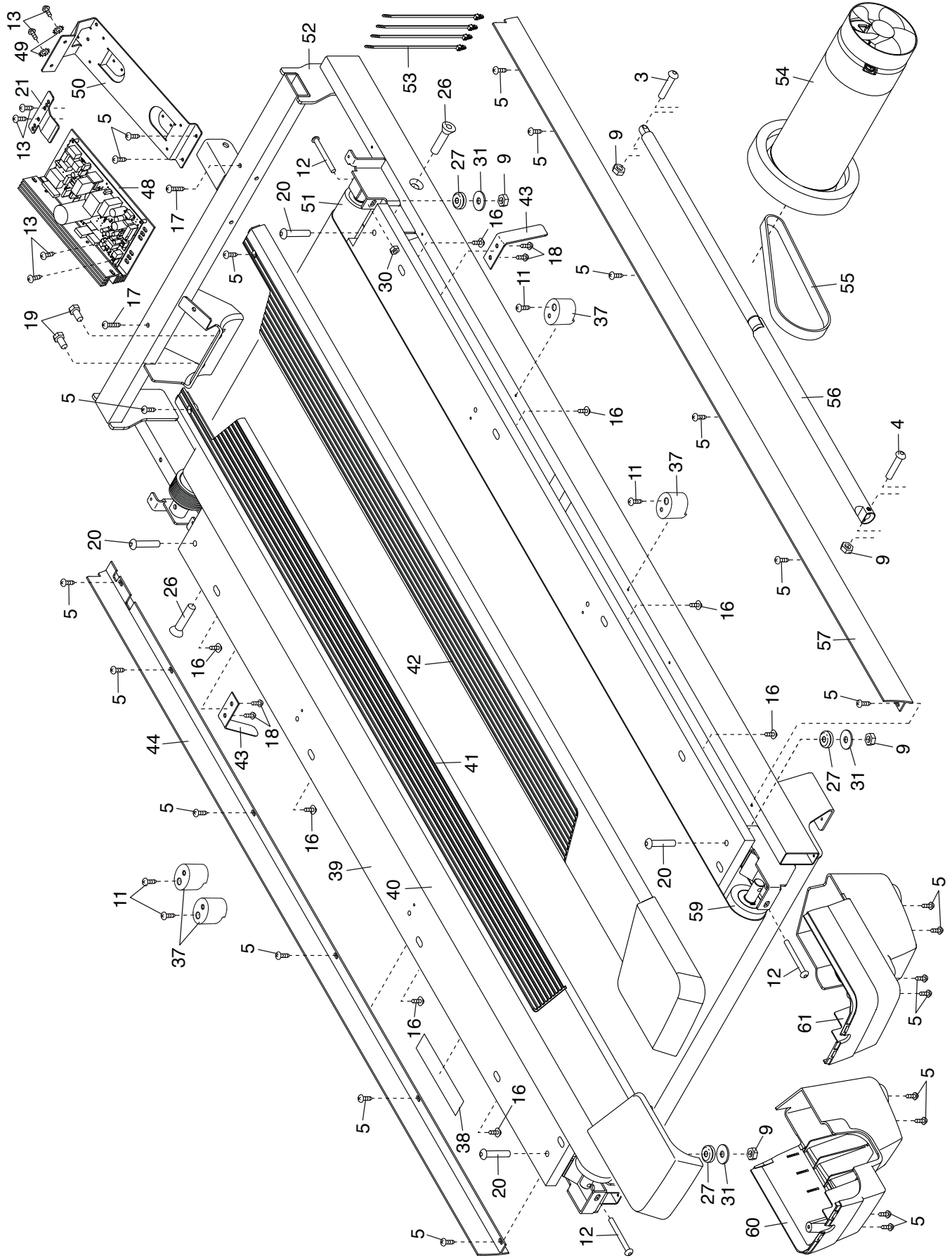


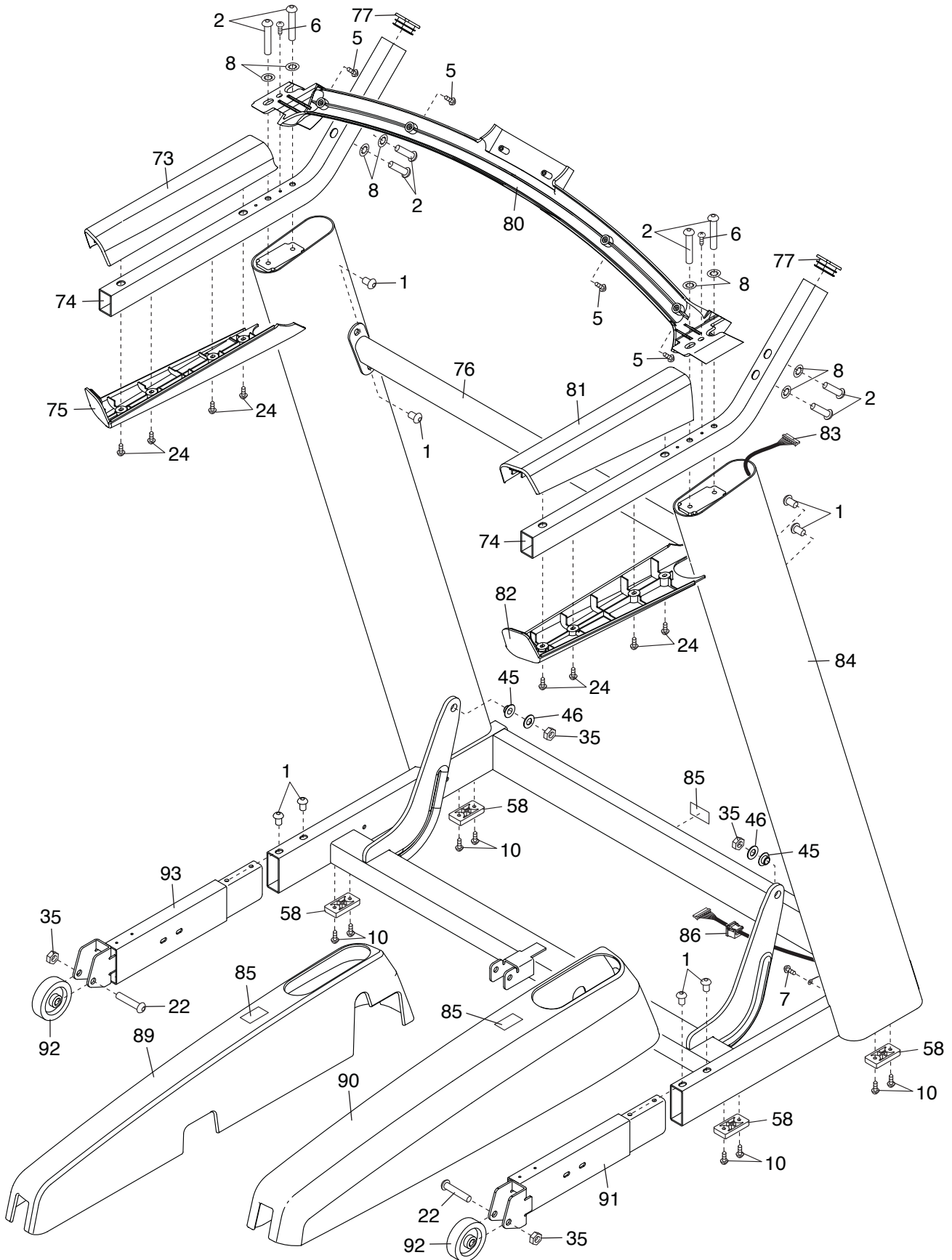
EXPLODED DRAWING A

Model No. SFTL99514.2 R1115A



EXPLODED DRAWING C

Model No. SFTL99514.2 R1115A



EXPLODED DRAWING D

Model No. SFTL99514.2 R1115A

