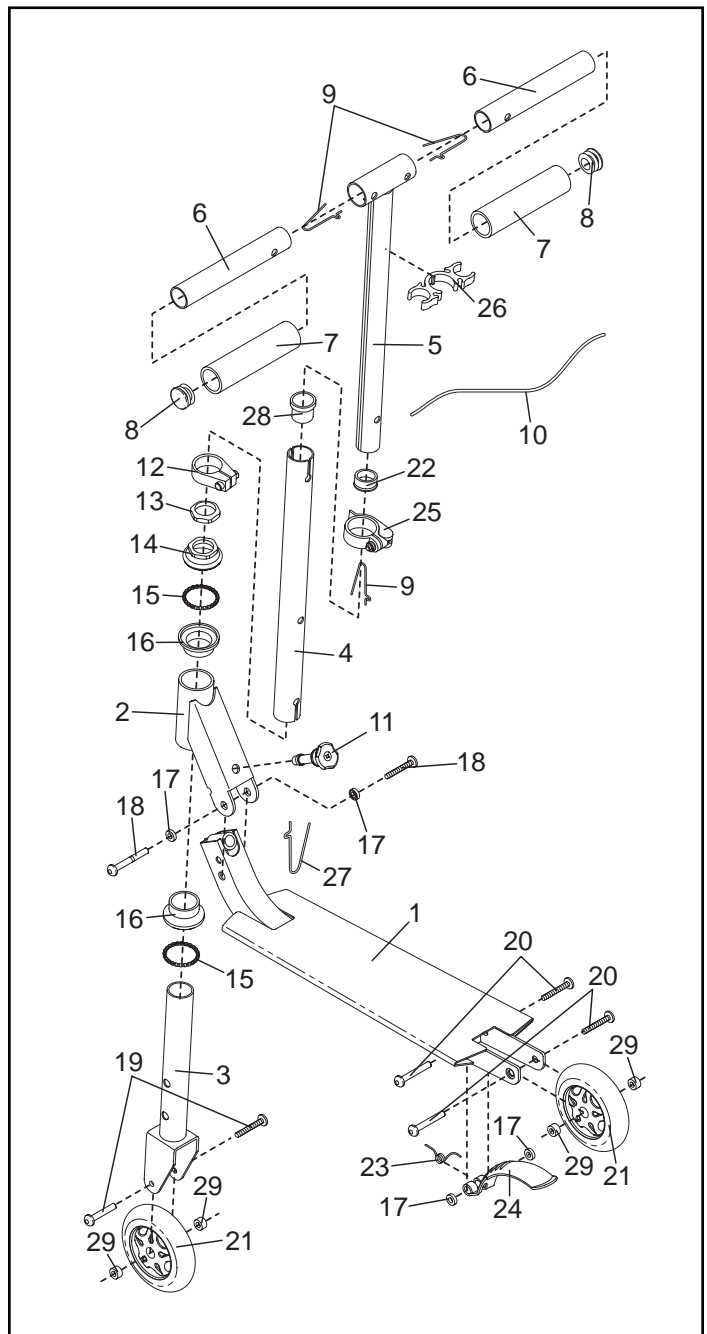


No.Qty. Description

1	1	Deck
2	1	Head Tube
3	1	Fork
4	1	Upright
5	1	Stem
6	2	Handle
7	2	Foam Pad
8	2	Handle Cap
9	3	Lock Pin
10	1	Handle Cord
11	1	Release Knob
12	1	Upright Clamp
13	1	Bearing Nut
14	1	Bearing Cap
15	2	Bearing
16	2	Bearing Race
17	4	Bushing
18	1	Pivot Union Bolt Set
19	1	Front Union Bolt Set
20	2	Rear Union Bolt Set
21	2	Wheel
22	1	Endcap
23	1	Brake Spring
24	1	Brake
25	1	Quick Release
26	1	Storage Clip
27	1	Deck Lock Pin
28	1	Upright Bushing
29	4	Wheel Bearing
*	1	User's Manual

\*The user's manual is not shown

Note: Specifications are subject to change without notice.



## Ordering Replacement Parts

To order replacement parts, call toll-free 1-800-999-3756, Monday through Friday, 6 a.m. until 6 p.m. Mountain Time (excluding holidays). When ordering parts, please mention the model number (TBSC03900) and the number and description of the parts needed.