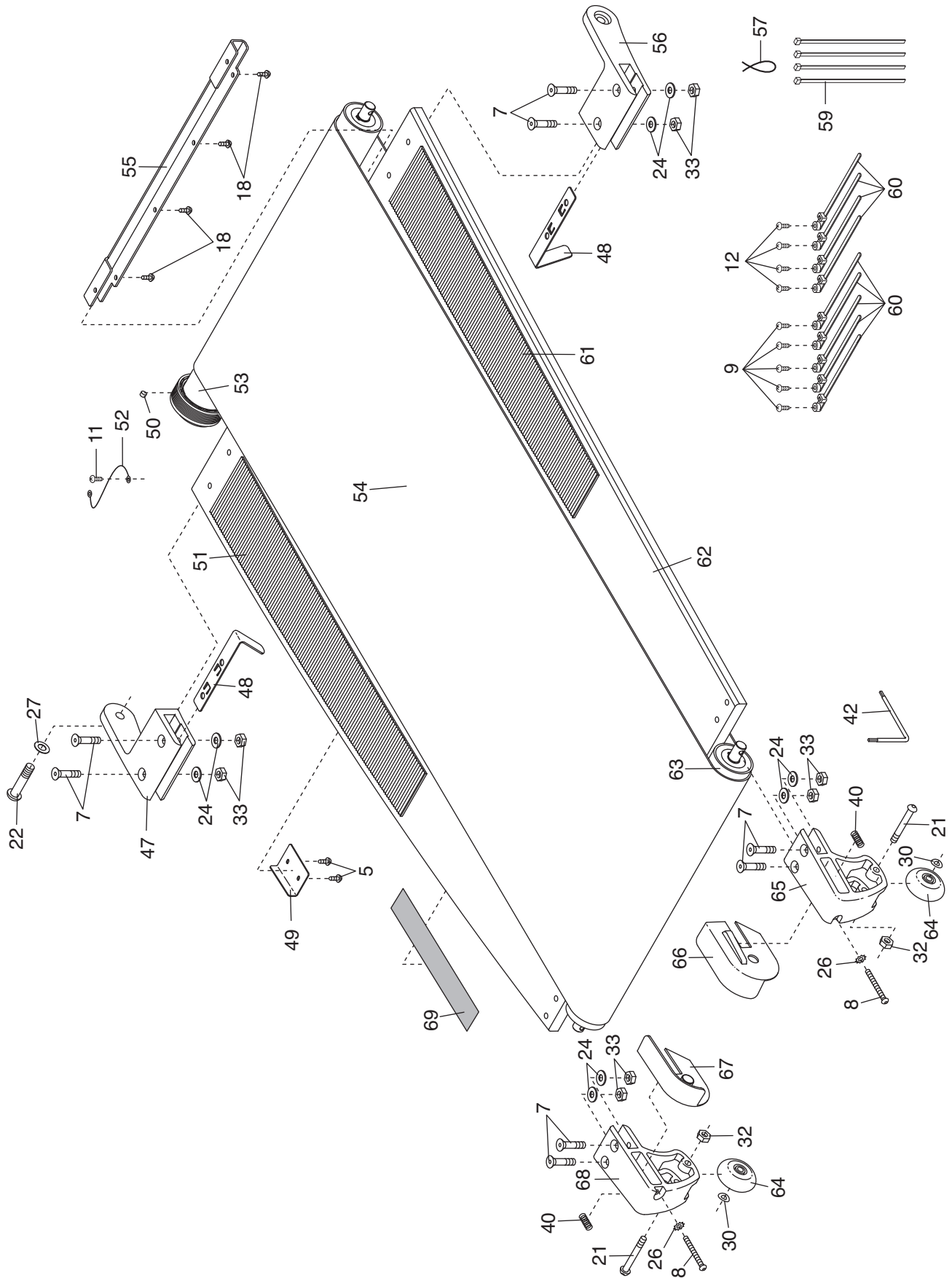


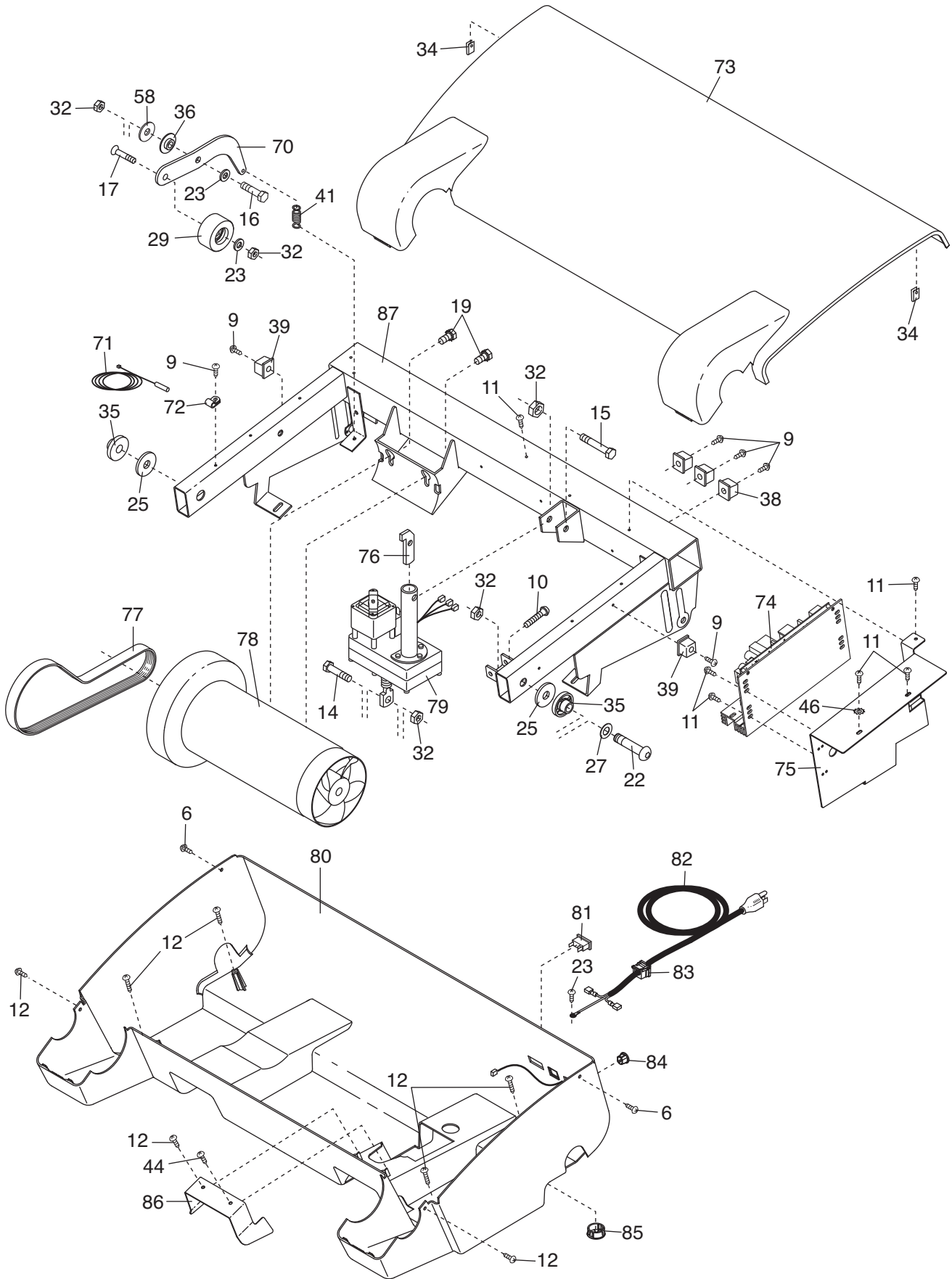
EXPLODED DRAWING A—Model No. NTL10008.0

R0109A



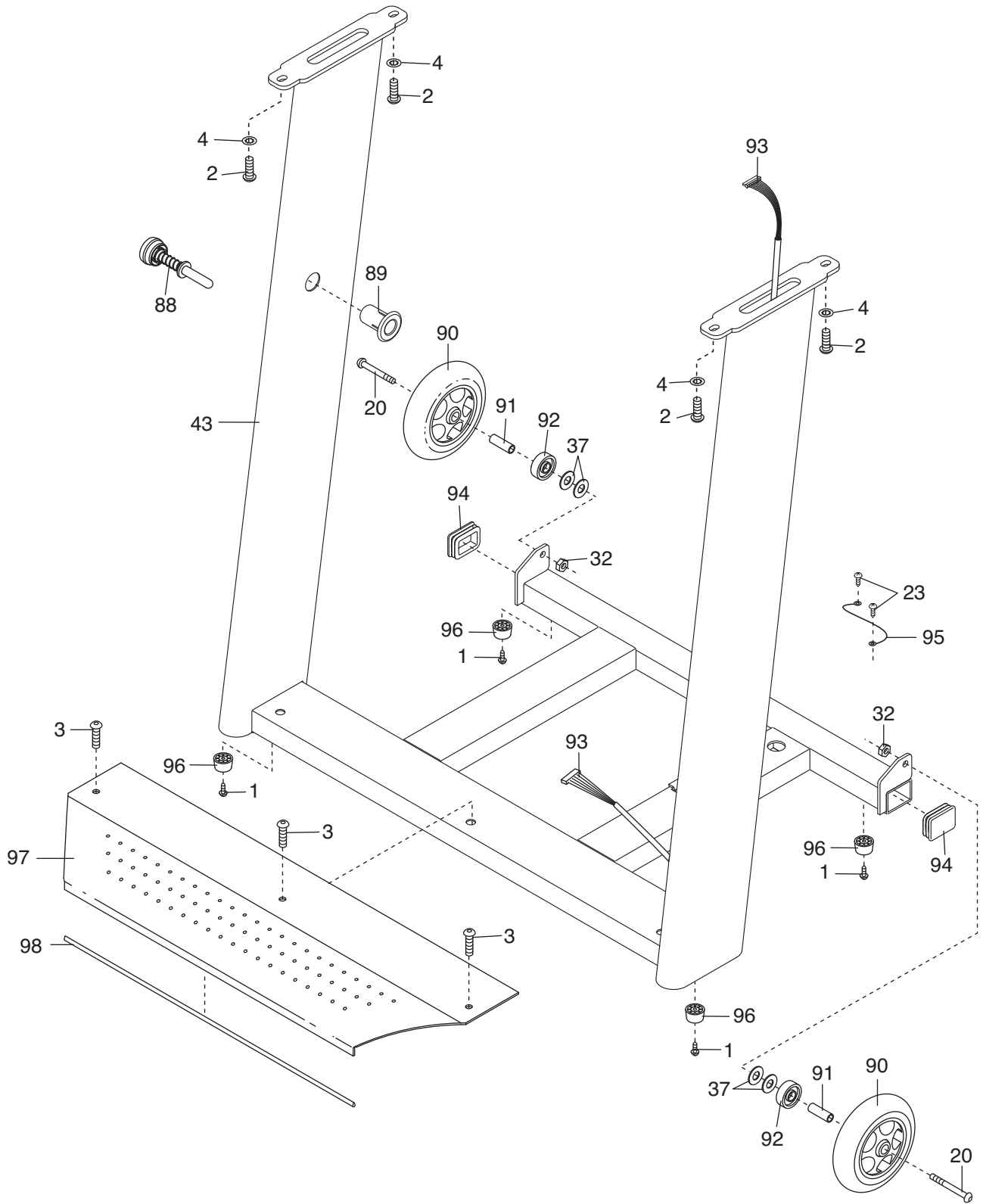
EXPLODED DRAWING B—Model No. NTL10008.0

R0109A



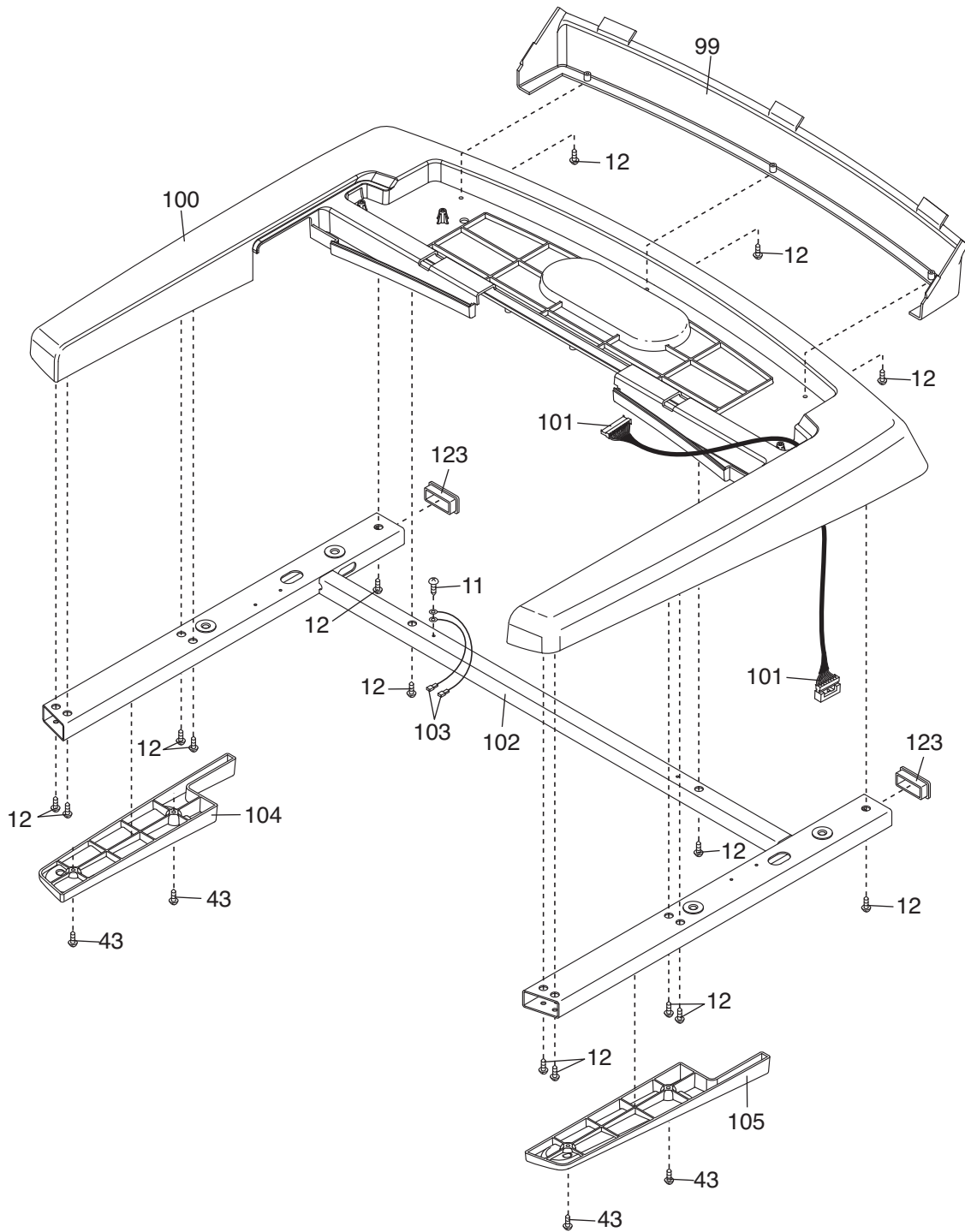
EXPLODED DRAWING C—Model No. NTL10008.0

R0109A



EXPLODED DRAWING D—Model No. NTL10008.0

R0109A



EXPLODED DRAWING E—Model No. NTL10008.0

R0109A

